

## UPHOLSTERY COLOR CHART

### RELAXIS- MICROFIBER LEATHER UPHOLSTERY

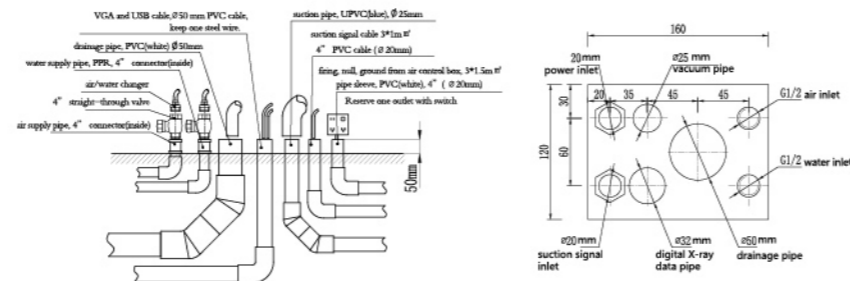
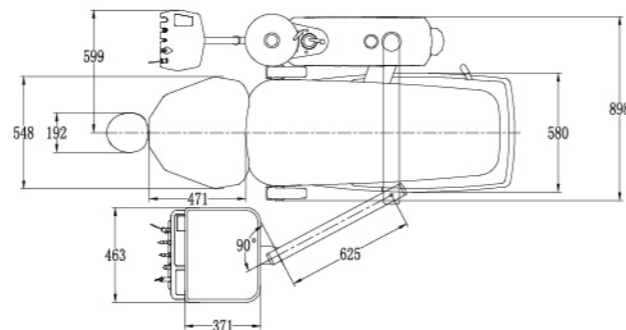
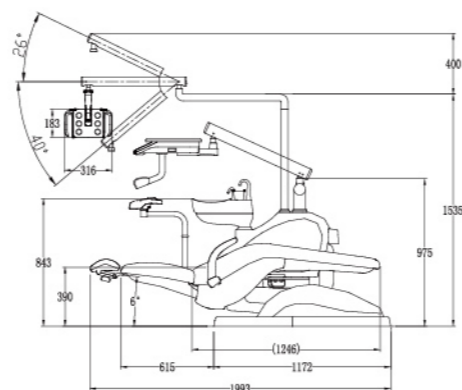


## CONFIGURATION

Dental Light	Pepple II (LED/Sensor switch with composite mode)		Assistant Control Panel
Patient Chair	Hydraulic Chair	Assistant Unit	1 Triplex
	Relaxis Micro Fiber Upholstery		1 HVE suction hose
	UP-DOWN Swivel Armrest	1 SE suction hose	
	Safety Switch	Side Box	Rotatable
	Ajax System + (with 3 programmable positions)		Side Box 1300ml Water Bottle
Delivery System	International Style	Side Box 1500ml Water Bottle	
	Chair Main Control Panel	Detachable Glass Spittoon	
	Master Air/Power/Water Switch	Built-in scaler from EMS or Woodpecker	
	1 Triplex	TKD electric motor (as slow speed)	
Foot Control	2 High Speed Lines with light	Options	22" inch monitor and arm
	1 Air Slow Speed line		N4 Assistant stool
Service Box	FT-7 Multifunctional Foot Pedal		Continental delivery system
Dental Stool	Built-in service box with all plumbings and fittings		Faro LED light (made in Italy)
			Built-in LED curing light
			Assorted handpieces and couplers
			Quick Connection For Air/Water

## DIMENSIONS

Units : mm



www.ajaxdent.com.au



# AJ18 DENTAL UNIT



Ajax Dental Supplies Pty Ltd.

T.G.A. Registered



CE 0120  
18013485-2003  
1509881

European Free Sell certificate

Headquarter ADD: Unit 23 / 21 Merrindale Drive, Croydon South VIC 3136

NSW Branch: Shop 8 / 108 Queens Road, Hurstville NSW 2220

Tel: 03 9879 3801 After sales hotline: 0478 635 358 E-mail: info@ajaxdent.com.au



## AJ18: YOUR TRUSTED CHOICE FOR DENTAL CHAIRS

---

We take pride in our commitment to excellence and innovation in the field of dental chairs. Our core values of reliability, continuous innovation, quick response, and quality service set us apart from the rest. We ensure that 90% of our dental chair components are meticulously designed and produced in-house, subject to stringent quality control measures at every step.



---

### CONTINUOUS INNOVATION

Our dedicated team of 60 research and development experts consistently drive innovation, staying abreast of industry trends while emphasizing independent research and development. We aim to provide you with cutting-edge solutions.

---

### QUICK RESPONSE AND QUALITY SERVICE

---

We value our customers' input. We listen attentively to your needs, promptly improving our products and services. We offer a generous 2-year warranty, and our proficient technicians are on hand to provide expert solutions. Our global service network ensures fast delivery of chair parts.

# AJ18 **SOLID | COMFORT | DURABLE**

The AJ18 dental chair is the epitome of excellence, catering to the diverse requirements of various clinical specialties.



## Heavy-Duty Metal Chair Frame

With a load-bearing capacity of 180kg, our chair ensures stability and comfort during treatment.

## Unique Chair Frame Sturcture

The innovative transmission structure creates a stable triangular frame, perfectly accommodating the body's contours for maximum comfort.



## Narrow Backrest

A slim upper backrest design allows the doctor's assistant to get closer to the treatment area during procedures.

## PATIENT CHAIR



## One-Hand Operating Headrest

Easily adjustable with one hand for quick positioning.



## Armrest

Rotatable Armrest: Ensuring patient comfort and ease of access to the dental chair.



## Nappa Leather

Offers a fine texture, silky touch, elasticity, and breathability to suit the body's contours.



## Ergonomic Chair

An ergonomic design ensures that patients experience a harmonious and comfortable treatment, eliminating any feeling of being pushed or pulled.

## Hydraulic Chair

## QUICK CONNECTION FOR AIR/WATER (OPTIONAL)



## DENTIST UNIT



## 3 memory chair positions

Our memory control system provides three independent memory preset positions (P1, P2, and P3) to enhance your efficiency.

## High-quality materials

Resistant to corrosion and sterilization, maintaining its integrity.



## Continental Delivery System(Optional)

Omni-directional rod for extended operating space.

## ASSISTANT UNIT



## Double Joint Assistant Unit

A wider range of movement and greater flexibility.



## The handpiece holder

Strategically positioned for the dentist's convenience.

## Easy Grab-and-Move Grip

The ergonomic handle design allows for easy mobility and precise touch-panel operation.



0 gravity grip for fatigue-free continuous operation.



## Ultra-light Handle

Ultra-light HVE and SE handle for increased suction efficiency.

## WATER UNIT



**One-button Water line Disinfection**  
Comprehensive coverage of waterline disinfection.



**Disinfection Rack**  
Full coverage of the waterline system.



**Spin-in filter**  
Rotary locking and sealing structure, rotating and locking, easy to operate. The filter is installed on the outside of the box, which can be operated visually and is convenient for daily cleaning.



**1.5L&1.3L Large Water Bottle System**  
The bottle mouth adopts a thickened design, which is more durable; The large bottle mouth design is convenient for dentists to fill with purified water and disinfectant.



**Full Coverage Waterline Disinfection System**  
Full coverage of doctor and assistant three-way syringe, handpiece tubes, cup water supply tubes.



**Two Stick Foot Pedal**  
Lower positioning for smoother operation and reduced fatigue.



**Rotatable Glass Cuspidor**  
Glass spittoon bowl for high-temperature and high-pressure sterilization, preventing air pollution.



**High-efficient Four-hand Operation**  
Enhancing the efficiency of medical care.



**Rotatable Side Box**  
Offering additional space for the assistant.



**Sealed drainage**  
Patented sealed sewage system for a comfortable and odor-free treatment environment.

## PEBBLE II LED DENTAL LIGHT

One-piece molding, easy to clean, flexible three-axis rotation.



- sensor controlled
- with composite mode (yellow light)
- The Highest Color Temperature: 5000k
- The Highest brightness: 30000 Lux
- Stepless adjustment of intensity

## DOCTOR STOOL



**D3 Dentist Stool with 6 functions**

Offers at least eight adjusting functions. Precision aluminum alloy casting and silent wheels for durability.



**N4 Assistant Stool (Optional)**



**AJ18 Traditional (Standard)**