

R10L100-PPP1HB

10.4" Multi-Touch Panel Mount High Brightness Display



KEY FEATURES

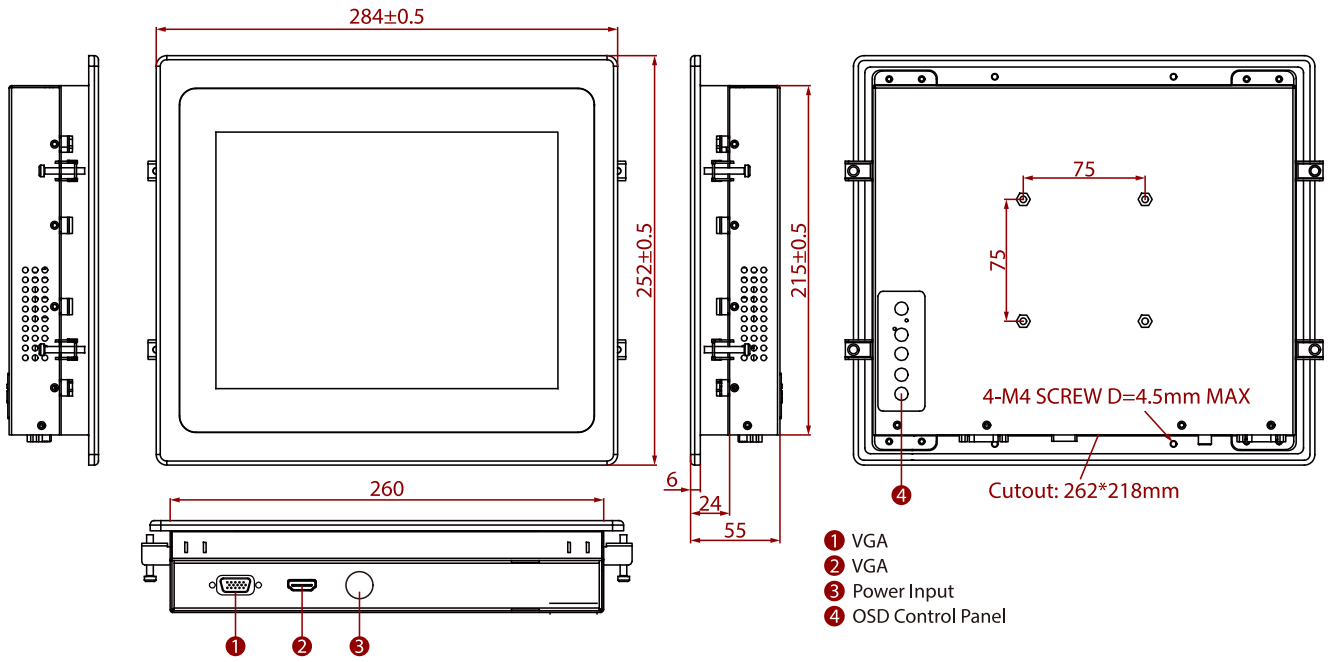
- 10.4", 800 x 600
- VGA and HDMI input
- Panel mount
- VESA mount
- High Brightness
- PCAP touch
- Front IP65



SPECIFICATIONS

Display	
Resolution	800x600
Contrast Ratio	400:1
Display Color	262K Colors
Active Area	211.2x158.4 mm
Size	10.4 inches
Panel Brightness	1000.0 nits
View Angles	70,70,70,60
Touch / Glass	Projected Capacitive Multi Touch Screen
Environment	
Operating Humidity	10% to 90% RH, Non-Condensing
Storage Temperature	-10°C to 60°C
Operating Temperature	0°C to 50°C
IP rating	Front IP65
Certification	
Certification	CE, FCC
IO Ports	
USB Port	1 x USB for Touch Screen
Audio	Audio line in (3.5mm) (Optional) 2 x Speaker (Optional)
Video	1 x VGA 1 x HDMI (Optional) 1 x DVI (Optional)
Mechanical	
Dimension	284.2 x 252 x 55 mm
Mounting	VESA Mount/ Panel Mount
Cooling System	Fanless Design
Weight	2.3 kg
Enclosure	Metal Housing with Aluminum Bezel
Cut out	262 x 218 mm
Accessory	
Accessory	1 x VGA cable 1 x HDMI cable 100~240V AC to DC Adapter Power Cord Manual VESA screws(Varies by product)
Optional Accessory	Remote Controller (Optional,Varies by product)
Power	
Power Rating	12V DC in 24V DC in (optional)
Control	

DIMENSIONS UNIT:MM



NOTE

1. This is a simplified drawing and some components are not marked in detail.
2. Please contact our sales representative if you need further product information.
3. All specifications are subject to change without prior notice.
4. The product shown in this datasheet is a standard model. For diagrams that contain customized or optional I/O, please contact the Winmate Sales Team for more information.