

## AWR SERIES RING PALLET WRAPPER

### FEATURES

---

- Increased load balance
- Less mechanical wear than turntable wrapper
- Less maintenance than other wrapper types
- Film tail cut and weld
- Electronic and self-adjusting wrap tension control, up to 300% pre-stretching
- Wrap to ground level
- Very compact space saving design
- Simple intuitive PLC control for ease of use
- Service scheduling and preventative maintenance
- Full technical support and factory trained technicians
- Film Roping options

### OPTIONAL FEATURES

---

- Wrap roping device
- Motorized top hold down plate
- Top sheet applicators
- Conveyors & accumulation - powered pallet systems and accumulation options to suit varying layouts and space availability
- Guarding - complete hazardous area requirements for personnel safety
- Automatic film roll changer

Rotary ring pallet wrappers are excellent for high production lines or unstable packaging. Low maintenance and very intuitive to operate. Used across industry due to the ranges robust and intelligent design and intuitive operation.



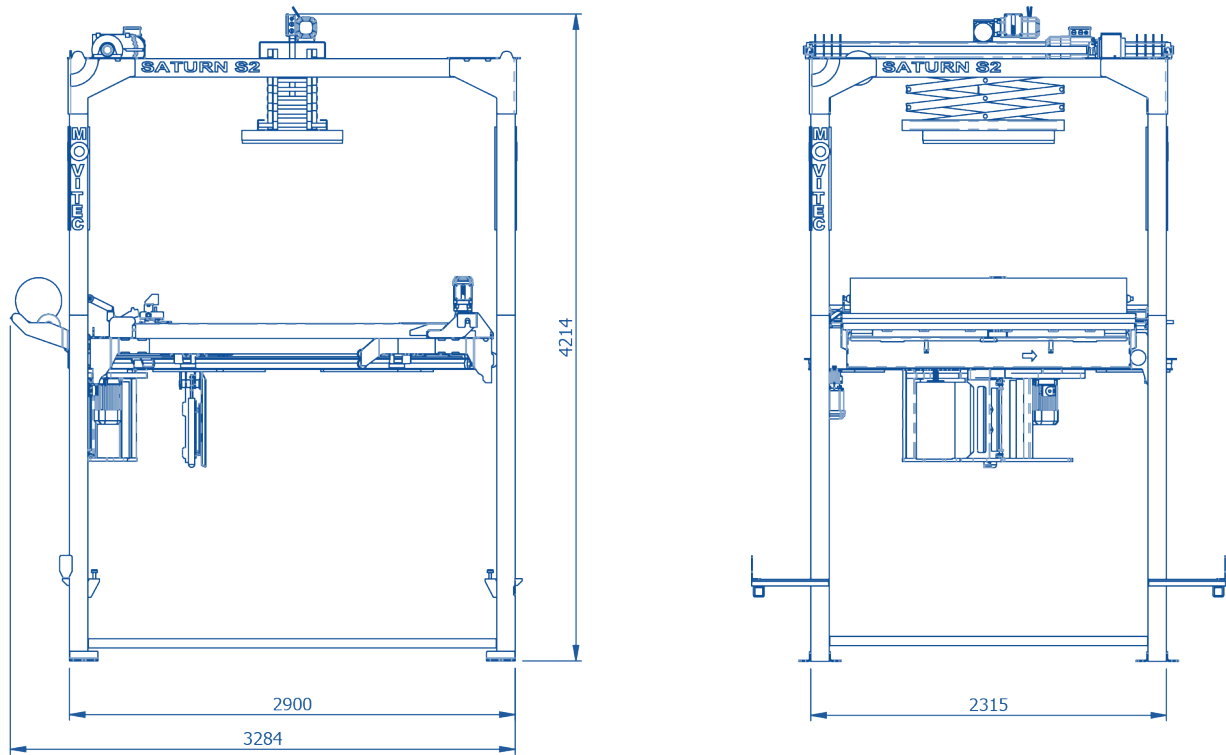


Diagram dimensions are for reference only\*

<b>Dimensions</b>	2315 w x 3284 x 4214 h
<b>Maximum Capacity</b>	Model S6 = 120 pallets p/hr Model S8 = 160 pallets p/hr
<b>Control System</b>	IPC
<b>Power Supply</b>	400v/3 Phase + E
<b>Air Supply</b>	6 bar
<b>Stretch Wrapping Film: Max Width</b>	500mm
<b>Stretch Wrapping Film: Max Diameter</b>	300mm
<b>Stretch Wrapping Film: Core Diameter</b>	76mm
<b>Stretch Wrapping Film: Thickness</b>	Up to 35 micron