

NACHI



*Powerful and compact
High speed and precise*

Compact and multipurpose robot

NEW

MZ12

Protection level: IP67 rated

Paint is coolant resistant

Leads its class in speed in precision

Footprint is 17% smaller than conventional robots

Through-arm cabling and air piping included

Basic Specification of Robot

Item	Specification	
Model	MZ12-01	
Structure	Articulated	
Controllable Axes	6	
Drive System	AC Servodrive	
Max. Working Envelope	J1	$\pm 2.97\text{rad}(\pm 170^\circ)$
	J2	$+1.57 \sim -2.79\text{rad}(+90 \sim -160^\circ)$
	J3	$+3.67 \sim -2.57\text{rad}(+210 \sim -147^\circ)$
	J4	$\pm 3.32\text{rad}(\pm 190^\circ)$
	J5	$\pm 2.44\text{rad}(\pm 140^\circ)$
	J6	$\pm 6.28\text{rad}(\pm 360^\circ)$
Max. Speed*1	J1	4.54rad/s(260°/s)
	J2	4.01rad/s(230°/s)
	J3	4.54rad/s(260°/s)
	J4	8.20rad/s(470°/s)
	J5	8.20rad/s(470°/s)
	J6	12.22rad/s(700°/s)
Payload	Wrist	12kg
Allowable Static Loading Torque	J4	25N·m
	J5	25N·m
	J6	9.8N·m
Max. Allowable Moment of Inertia*2	J4	0.7kg·m ²
	J5	0.7kg·m ²
	J6	0.2kg·m ²
Position Repeatability*3	$\pm 0.04\text{mm}$	
Max. Reach	1454mm	
Air Piping	$\phi 6 \times 2, \phi 8 \times 1$	
Application Wirings	24wires (including wires for the optional solenoid valves)	
Installation	Floor / Inverted mount / Tilted	
Ambient Conditions	Ambient temperature: 0~45°C*4	
	Ambient humidity: 20~85%RH (without condensation)	
	Vibration: Not more than 0.5G(4.9m/s ²)	
Environmental Conditions*5	IP67 equivalent(Protection Rating)	
Weight	150kg	

*Explosion-proof version is not available.

*1: The maximum speed in the chart is a maximum value. The maximum value may change depending on work programs and load conditions of the wrist.

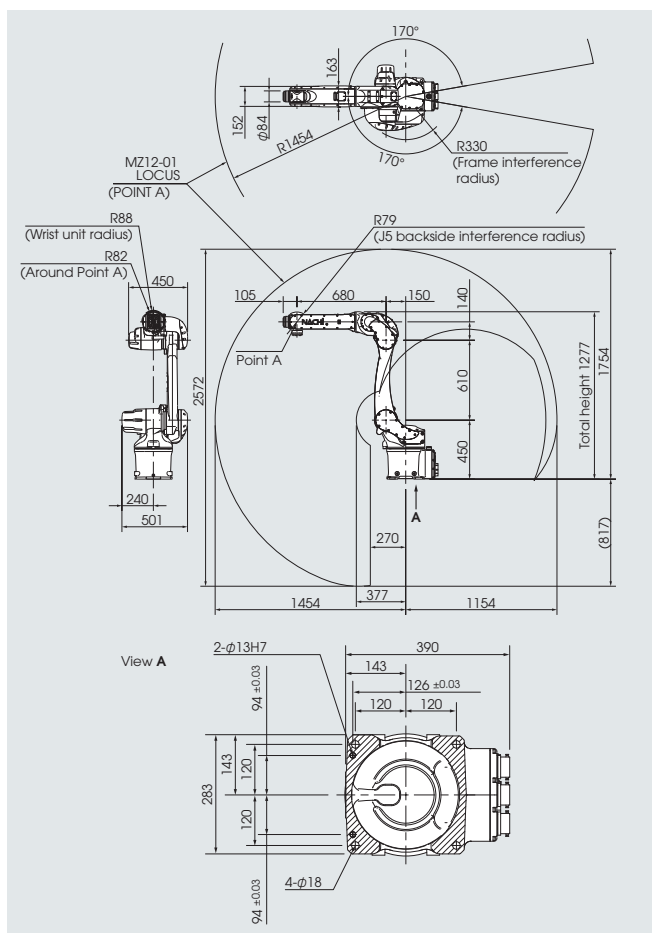
*2: The Allowable Moment of Inertia of a wrist changes with load conditions of a wrist.

*3: JIS B 8432 compliant.

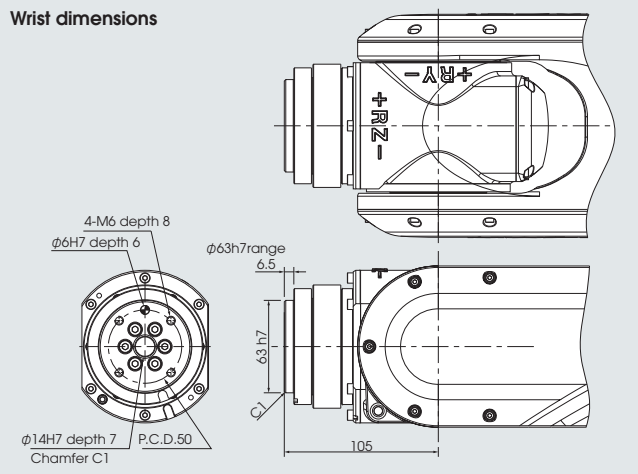
*4: Using at 1000 m or lower sea level. Ambient temperature has limitations when allowable altitude is exceeded.

*5: Fluids that cause the deterioration of sealants, such as gasoline-based cutting fluids, chlorine, alkali, acids, and organic solvents, cannot be used. The wire-harness portion is IP65 equivalent, and the robot controller is IP20 equivalent.

Robot Dimensions and Working Envelope



Wrist dimensions



NACHI

NACHI-FUJIKOSHI CORP.

www.nachi.com

Head Office Shiodome Sumitomo Bldg. 17F, 1-9-2 Higashi-Shinbashi, Minato-ku, Tokyo 105-0021
Robot Division 1-1-1 Fujikoshi-Honmachi, Toyama 930-8511, JAPAN

Tel: +81-(0)3-5568-5247
 Tel: +81-(0)76-456-2223

Fax: +81-(0)3-5568-5237
 Fax: +81-(0)76-493-5251

NACHI ROBOTIC SYSTEMS INC.
NACHI AMERICA INC. HEADQUARTERS
NACHI CANADA INC.
NACHI MEXICANA, S.A. DE C.V.
NACHI BRASIL LTDA.
NACHI EUROPE GmbH
NACHI TECHNOLOGY (THAILAND) CO., LTD.
NACHI SINGAPORE PTE. LTD.
PT.NACHI INDONESIA
NACHI TECHNOLOGY INDIA PVT. LTD.
NACHI (AUSTRALIA) PTY. LTD.
NACHI (SHANGHAI) CO., LTD.

Michigan, U.S.A.
 Indiana, U.S.A.
 CANADA
 MEXICO
 BRASIL
 GERMANY
 THAILAND
 SINGAPORE
 INDONESIA
 INDIA
 N.S.W. AUSTRALIA
 CHINA

Tel: +1-248-305-6545
 Tel: +1-317-530-1001
 Tel: +1-905-660-0088
 Tel: +52-442-153-2424
 Tel: +55-11-4793-8800
 Tel: +49-(0)2151-65046-0
 Tel: +66-2-714-0008
 Tel: +65-65587393
 Tel: +62-21-527-2841
 Tel: +91-(0)12-4450-2900
 Tel: +61-(0)2-9898-1511
 Tel: +86-(0)21-6915-2200

Fax: +1-248-305-6542
 Fax: +1-317-530-1011
 Fax: +1-905-660-1146
 Fax: +52-442-153-2435
 Fax: +55-11-4793-8870
 Fax: +49-(0)2151-65046-90
 Fax: +66-2-714-0740
 Fax: +65-65587371
 Fax: +62-21-527-3029
 Fax: +91-(0)12-4450-2910
 Fax: +61-(0)2-9898-1678
 Fax: +86-(0)21-6915-5427

<http://www.nachirobotics.com>
<http://www.nachiamerica.com/>
<http://www.nachicanada.com/>
<http://www.nachi.com.mx/>
<http://www.nachi.com.br/>
<http://www.nachi.de/>
<http://www.nachi.co.th/>
<http://www.nachinip.com.sg/>
<http://www.nachi.co.id/>
<http://www.nachi.com.au/>
<http://www.nachi-china.com.cn/>

●The specifications are subject to changes without notice.
 ●In case that an end user uses this product for military purpose or production of weapon, this product may be liable for the subject of export restriction stipulated in the Foreign Exchange and Foreign Trade Act. Please go through careful investigation and necessary formalities for export.

CATALOG NO. **R7704E**

2017.11.Q-ABE-ABE