

Pre-Plumbed Drinking Trough



TPWDPD

Scan QR code
to view our
installation notes



To order this item please advise:

- Tap quantity and code
- Trough length
- Waste position – Left or Right

Product Info:

- Supplied with pre-plumbed bubblers
- Rubber mouthguards to protect teeth
- Choose from button, lever or cam activated taps
- Concealed tapware connections
- Radius external and internal trough corners
- Wall brackets and 50mm waste supplied

Tapware Options:



TW-DL90
Lever Action Bubbler



TW-DP90
Push Button Bubbler



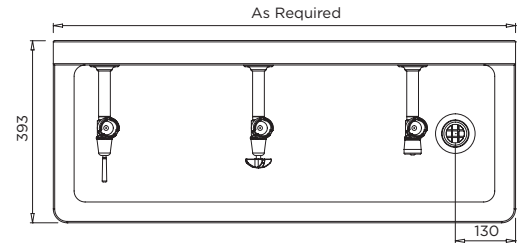
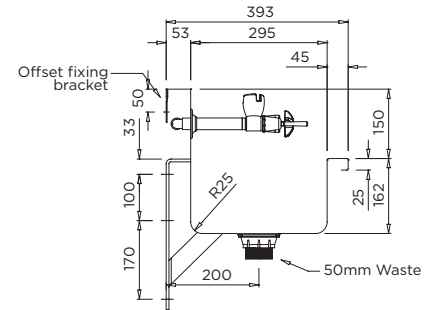
TW-DC90
Cam Action Bubbler

INSTALLATION NOTES

- 1) Fixture strength is ultimately determined by the load capacity of the supporting structure (noggins recommended for stud wall construction) and use of appropriate fixings (i.e. sleeve anchors for masonry walls).
- 2) Trough supplied pre-plumbed with a 1/2" male water connection at same end as waste unless specified otherwise.
- 3) Trough is mounted to wall via two end brackets (inserted into end fascias of trough) and an offset bracket positioned at the rear of the splashback.
- 4) An additional centre bracket that supports the underside of the fixture is supplied for troughs over 2000mm.
- 5) Water connection: Min = 250kPa, Max = 500kPa subject to no. of bubblers and flow conditions.
- 6) Front support legs supplied only by specific request.
- 7) Troughs can be supplied with multiple tap styles where required.

Suggested Mounting Heights (mm)

drink	infant	primary	secondary
	550	700	900



Multiple tap styles shown for indicative purposes only

