



SOL

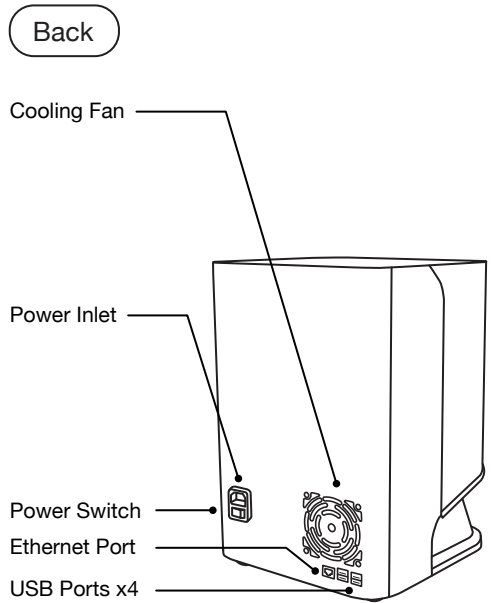
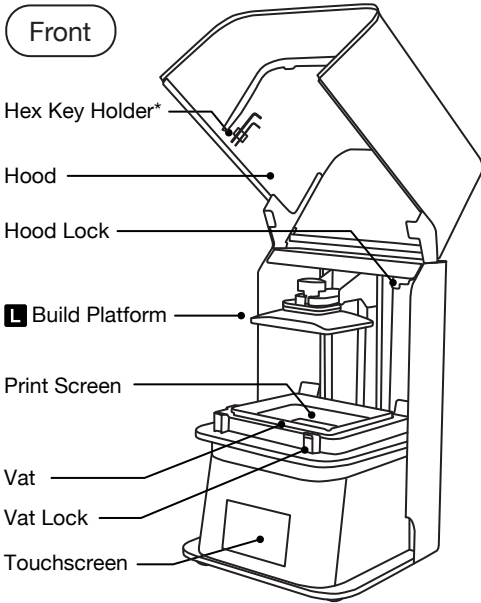
Essential User Guide

Your shortcut to successful printing



Register Your
Device & Warranty

Product Overview



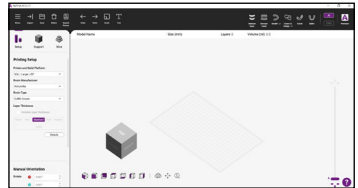
*Store the two Hex Keys in the holder located under the SOL hood.

ALPHA AI Setup

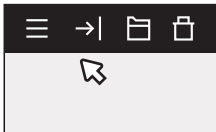


ALPHA AI

Download and install ALPHA AI, our 3D printing slicing software.



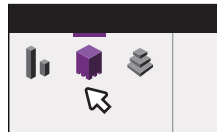
Only compatible with Windows 8 and later versions



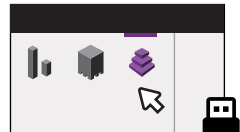
1 Import file (.STL)



2 Set up print



3 Create supports

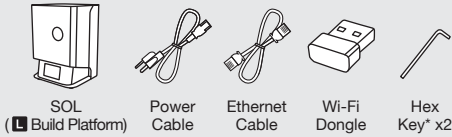


4 Slice and save →
Export print file to a USB

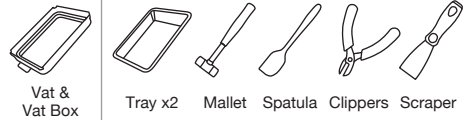


Do not allow any resin or residue to come into contact with the print screen. If resin is cured on the print screen, the screen will need to be replaced.

Package Contents

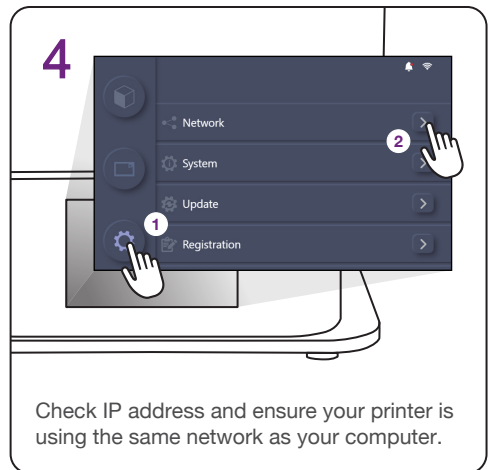
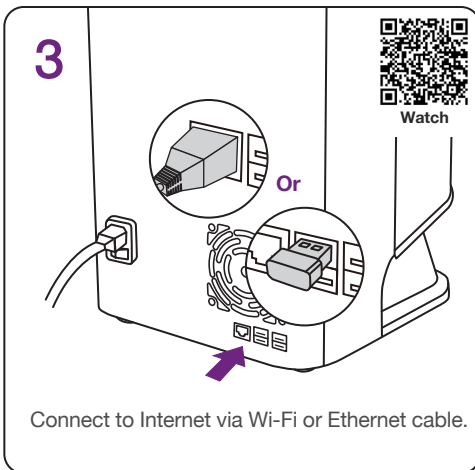
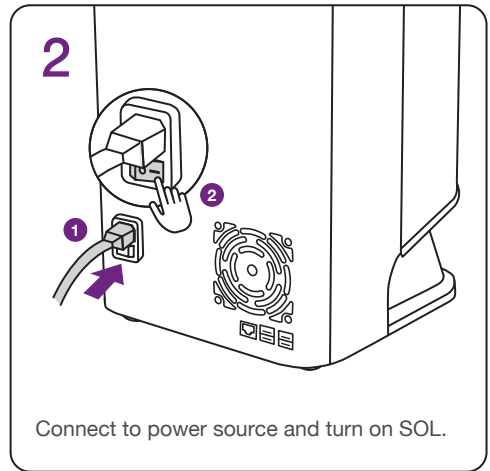
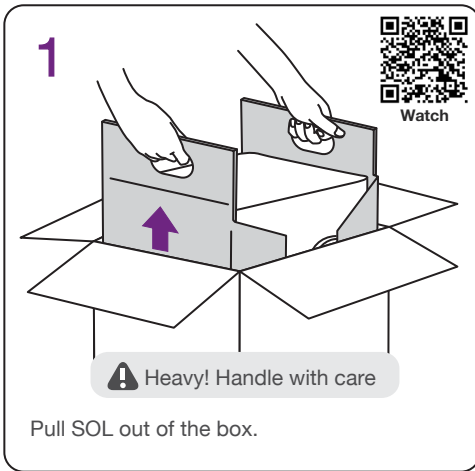


Starter Tool Kit



*Store the two Hex Keys in the holder located under the SOL hood.

Setup Guide

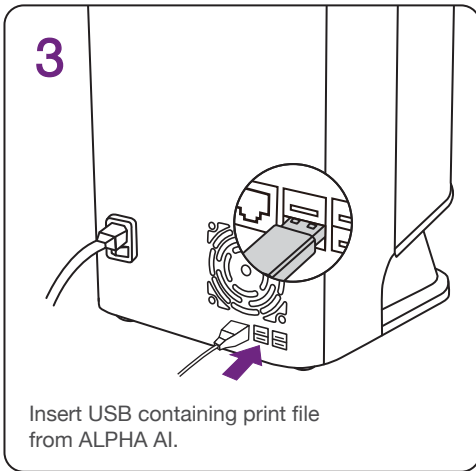
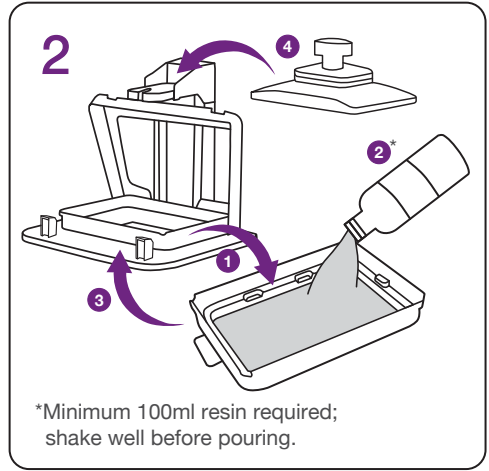
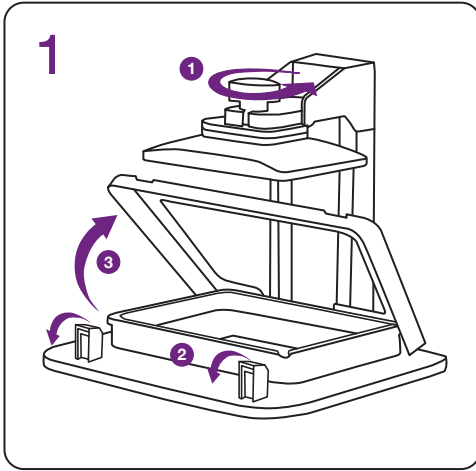


Use UV-filtered lights in your workspace to prevent unintended curing.



Operate SOL in a clean environment that is well ventilated, with a temperature range of 18°-25°C (64°-77°F).

Printing Process



Technical Specifications

Dimensions 29.2 (W) x 27.1 (D) x 41.6 (H) cm
11.5 (W) x 10.7 (D) x 16.4 (H) in

Weight Approx. 18 kg
Approx. 40 lbs

Power Input 100-240VAC, 50-60Hz

UV Wavelength 385-405 nm

Print Area 12.9 (W) x 8 (D) x 12 (H) cm
5.1 (W) x 3.1 (D) x 4.7 (H) in

XY Resolution 49 μ m

Layer Thickness 30-150 μ m

3D Print Technology LCD



Frequently Asked Questions

Q1 I have just received SOL, how do I get started?

After receiving your SOL, register your device through the User Dashboard so that your warranty is activated on the date of purchase. The User Dashboard contains resources to help you get started, access troubleshooting, and get support from the Ackuretta Customer Success Team.

There is no need for calibration - every printer is put through a series of tests before getting shipped, including a test print. To find more information about the User Dashboard and warranty policy, scan the following QR codes.



User
Dashboard

[Learn More](#)



SOL
Warranty Policy

[Learn More](#)

Q2 I just scanned my patient's mouth, how can I print a model from my scan?

A scan file cannot be used directly to make a 3D printed application. Even for models, you will need to go through CAD and CAM 3D printing slicing software to obtain a printable format file.

After creating a design using CAD software, you need to export the STL file into our ALPHA AI CAM slicing software, generate supports and orient the application, and then send it to the printer for printing. To learn more about ALPHA AI, scan the QR code.



[Learn More](#)

Q3 Does SOL require an internet connection to print?

Yes. SOL requires an internet connection, as every resin and printer setting is cloud-based. This allows us to make any setting adjustments or new resin calibrations available instantly, as well as make the troubleshooting process easier.

SOL includes an 'Offline' mode that works for 7 days without the need to connect to the internet. To learn more about SOL's 'Offline' mode, scan the QR code.



[Watch](#)

Q4 Can I use any resin with SOL?

We recommend that users use resins that have been calibrated with SOL by Ackuretta and validated by resin manufacturers. This ensures optimal performance and results. The full list of validated resins, which is updated regularly, can be found on the SOL product page on the official Ackuretta website, or by scanning the QR code.

If users wish to use other third-party resins which have not been calibrated with SOL, Ackuretta will not be liable for any failed prints or damage to the printer caused by non-validated resins.



[Learn More](#)

Q5 What types of applications can SOL print?

While it is possible to print a wide range of applications using SOL, this printer is specifically designed and calibrated to consistently produce high-quality dental applications.

Printed applications include dental models, splints, temporary and permanent crowns, surgical guides, sleep devices such as night guards, aligner models, castable crowns and bridges, denture bases and teeth, try-in dentures, retainers, indirect bonding trays, impression trays, and removable partial dentures. You can scan the QR code to find more information on our application booklet.



[Learn More](#)

Q6 How do I properly remove my applications from the build platform?

Place your build platform with the applications on the plastic tray and remove the applications with the scraper. If an application is stuck, use the mallet to hit the scraper and pull the application off the build platform.

Q7 My print failed, what should I do?

In the event of a failed print, activate the Clean Vat function. Once this is complete, remove the printed layer from the vat, make sure there is no remaining cured debris in the vat, and stir the resin thoroughly before restarting a print.

If you continue to have print failures, verify your issue in the troubleshooting section of the User Dashboard. If you cannot troubleshoot on your own, you can open a ticket through the User Dashboard for additional support.



SOL Clean Vat
Function

[Watch](#)



Stir the resin
properly

[Watch](#)



How to Troubleshoot
with User Dashboard

[Learn More](#)

Q8 How do I clean the vat?



Watch

We recommend not cleaning the vat unless necessary – in the event of contamination, vat film inspection, or the use of a different resin – to prevent it from getting damaged, and to save time and resources. A good practice is to have one vat and one vat box for each resin.

When you do need to clean the vat, wear gloves and use the plastic spatula that you received with your Starter Tool Kit. Pour any remaining resin from the vat into a container to be disposed of, spray 95% alcohol on the vat, use the plastic spatula to stir the remaining resin in the vat, and clean the vat with alcohol wipes. Do not use metallic tools that could damage the vat film, and regularly check to make sure that the film is not punctured.

Q9 Can I reuse the resin in my vat?


Yes. To reuse the resin in your vat, we recommend storing the vat in the vat box that you received with your SOL, ensuring the resin is protected from UV light and dust. Before storing the resin, make sure you remove any debris from the vat after a failed print using the Clean Vat function. You may use the label on the vat box to indicate the name and date of the resin, then store it in a cabinet drawer. Prior to printing, be sure to stir the resin stored in the vat, to avoid any risk of print failure.

We recommend that you have one vat and vat box for each resin you plan to use regularly, to speed up the printing preparation and cleaning process, as well as limit the risk of resin contamination. These strategies save you time, money and effort.

Q10 What can I do if I spill resin on the print screen?

If resin is spilled on the print screen, we recommend you immediately wipe it with a dry tissue and a drop of IPA or ethyl alcohol. If resin cures on the print screen, it can permanently damage your print screen and create a dead pixel area, in which case the print screen must be replaced.




 ACKURETTA



 User Dashboard



 Facebook User Group



ACKURETTA