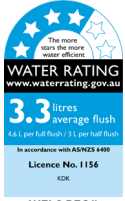


# BRITEX CERAMIC ACCESSIBLE TOILET SUITE



## features and benefits

- Gloss white ceramic care suite
- Simple and stylish contemporary design
- Supplied with grey care toilet seat
- Supplied with ceramic dual flush cistern
- Designed to suit AS1428 for accessible compliance
- Suitable for P or S Trap Installation
- Rimless and ultra hygienic design
- Close coupled suite
- Gently rounded edges
- Suited to a wide range of applications

## about

The *Britex Ceramic Accessible Toilet Suite* is an easy to install and versatile ceramic care option perfectly suited to a wide variety of applications. WELS Star rated and watermark certified, the gloss white ceramic pan and dual flush cistern is a classic addition to any bathroom with an ultra hygienic rimless bowl being particularly easy to keep clean, thus reducing cleaning times considerably. Suitable for P or S trap installation, this toilet is supplied with a compliant grey toilet seat and grey coloured dual flush buttons to suit AS1428 standard for accessibility. Key to the design are gently rounded corners giving the pan a seamless soft feel ideally suited but not limited to domestic, education and hospitality bathrooms.

## sample spec. text

*BRITEX Ceramic Accessible Toilet Suite - 800L x 360W x 880Hmm O/A. Watermark and Wels certified. Complete with grey care toilet seat and ceramic dual flush cistern. Compliant to AS1428 - Product Code BSW-ACTS*

\*RED TEXT may denote a **variable** where one option only is to be selected, a **nominal dimension** that needs to be specified, or an **optional feature** that can be removed if not required. Please refer to the back of this page for additional specification details and options.

VISIT [BRITEX.COM.AU](http://BRITEX.COM.AU) TO DOWNLOAD BIM FILES, CAD DRAWINGS AND THE MOST CURRENT PRODUCT LITERATURE.



**MELBOURNE**  
Britex Place, Mirra Crt  
Bundoora VIC 3083  
t (03) 9466 9000  
f (03) 9466 9011

**SYDNEY**  
16 Northumberland Drv  
Taren Point NSW 2229  
t (02) 9531 2100  
f (02) 9531 2800

**PERTH**  
Unit 1/8 Principal Link  
Malaga WA 6090  
t (08) 9249 5464  
f (08) 9248 6893

**BRISBANE**  
19 Manila St  
East Brisbane QLD 4169  
t (07) 3363 2400  
f (07) 3363 2444

**ADELAIDE**  
The Britex Group  
SA State Office  
t 1300 764 744  
f 1300 784 306

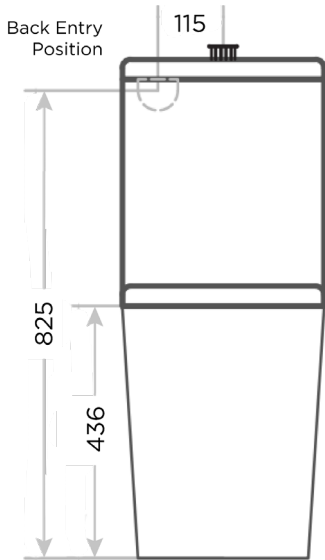
[britex.com.au](http://britex.com.au) | [info@britex.com.au](mailto:info@britex.com.au) | A.B.N 83 004 309 737

# BRITEX CERAMIC ACCESSIBLE TOILET SUITE

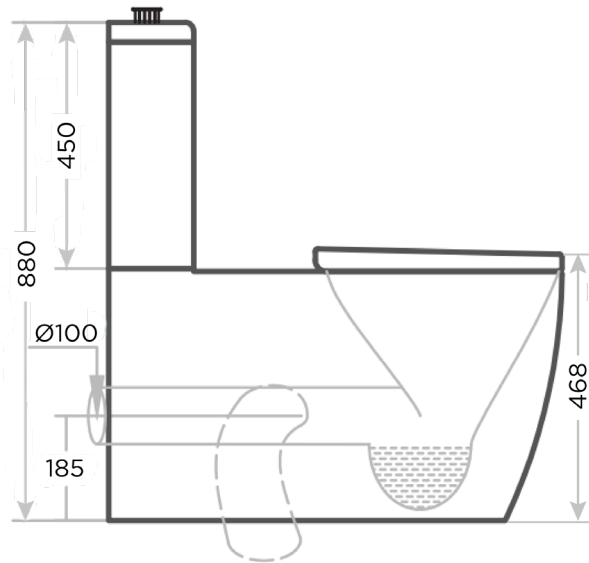
PRODUCT CODE

## BSW-ACTS

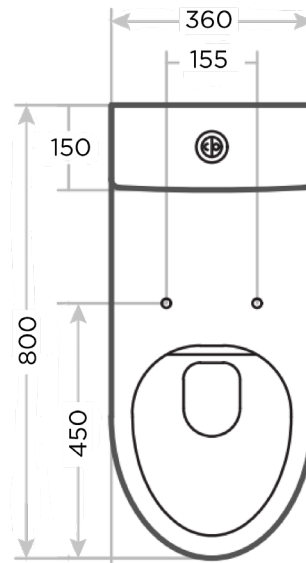
BRITEX CERAMIC RANGE



MODEL BSW-ACTS Rear Elevation



MODEL BSW-ACTS Side Elevation



MODEL BSW-ACTS Plan

*When specifying this product please include:*

- Product **Name** and **Code**
- Product **Dimensions**



VISIT [BRITEX.COM.AU](http://BRITEX.COM.AU) TO DOWNLOAD BIM FILES, CAD DRAWINGS AND THE MOST CURRENT PRODUCT LITERATURE.



Due to ongoing research and our commitment to product development, details are subject to change without notice. Details accurate at time of print. Please refer to [britex.com.au](http://britex.com.au) for the most current product information. Allow +/- 5mm tolerance for dimensions and setouts shown in product literature.

[britex.com.au](http://britex.com.au) | [info@britex.com.au](mailto:info@britex.com.au) | A.B.N 83 004 309 737



BSW-ACTS / BRITEX CERAMIC ACCESSIBLE TOILET SUITE