



ItalianGelato
Concepts
dessert projects & equipment supply

CUBo 2

Always fresh Gelato



ICETEAM

1 9 2 7

Always fresh Gelato

CUBo 2 allows to freeze mixes of gelato or sorbet, by combining cooling and stirring, until the typical semi-solid consistency of a traditional gelato is reached. Besides, the machine is able to maintain the product structure for an indefinite time, directly in the batch freezer cylinder



Mix refill

This function allows to refill the cylinder with fresh liquid mix as the product is sold. During the storage mode, the user simply needs to add the liquid mix and restart the freezing process.

The machine will reactivate the program to bring the gelato back to the original consistency, taking a 60% shorter freezing time compared to the first batch. Then, the machine will automatically go to storage mode.

Night mode

This program, that can be set by using a timer, allows to turn off automatically any batch freezing/ storage cycle so to keep the temperature in the cylinder like a refrigerator. This will ensure that the gelato mix stays in a positive temperature during the night, without any hygienic or health risks.



Fully automatic single cylinder table top machine, designed for the production and sale of fresh gelato and ice cream.

The continuous churning process is done in front of costumers, adding fresh liquid mix as the product is sold.

A sophisticated, but easy to use, electronic controller ensures the best texture and quality all the time.

Night conservation cycle is automatic and settable.



11 personalized recipes



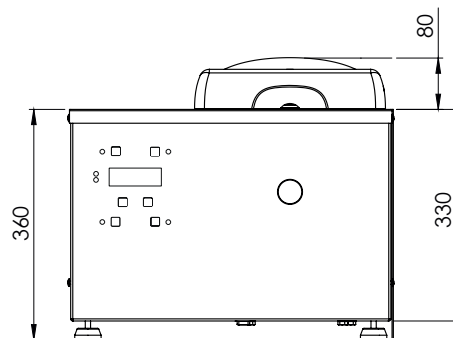
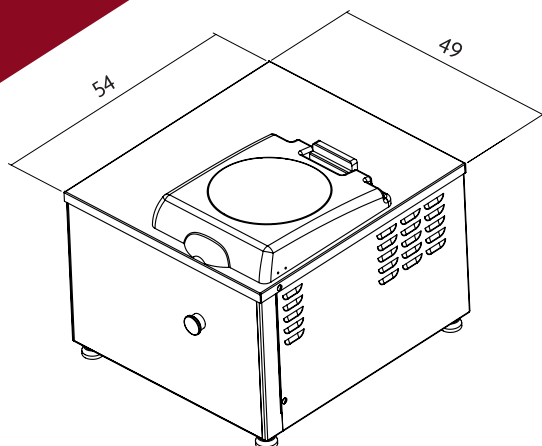
CUBo 2i: the motor beater inverter varies the speed -even during the cycle- depending on the type of mix introduced



App for the remote control of the machine → Industry Plan 4.0

CUBo 2

COMPACT DESIGN



TECHNICAL SPECIFICATIONS

			CUBo 2	CUBo 2i
Quantity per cycle	Mix processed	kg	1 - 2	1 - 2
	Gelato produced	lt	1.3 - 2.6	1.3 - 2.6
Quantity per cycle	Slush produced	kg		1 - 1.5
Motor speed		n°	2	15
Electric power		STANDARD	230 /1/ 50 Hz	230 /1/ 50 Hz
Installed power		kW	1.1	1.1
Cooling			air	air
Dimensions WxDxH		cm	49 x 54 x 44	49 x 54 x 44
Net weight		kg	54	54

■ All specifications mentioned must be considered approximate. Iceteam 1927 reserves the right to modify, without notice, all parts deemed necessary.



Italian Gelato Concepts Pty Limited
Unit 1, 37 Mortimer Road
Acacia Ridge Qld 4110

Bris Office: +61 (0) 7 3162 7724
Syd Office +61 (0) 2 8311 9701

Email: info@italiangelato.com.au

www.italiangelato.com.au



ICETEAM 1927 – ALI Group Srl

Via Emilia, 45/A
40011 Anzola dell'Emilia - Italy
Phone +39.051.6505.330
Fax +39.051.6505.331

an Ali Group Company



The Spirit of Excellence