

## Flat-bed scale IF

For precise weighing results and simple loading and unloading



Explosion protection



German Quality



*The flat-bed scale IF was developed for ground-level use in tough industrial environments. It is a high-quality, flexible and mobile weighing station and can be used in production processes wherever reliable measurement results and hygienic solutions are required.*

The right solution for all of these applications:



Weighing



Counting



Filling and dosing



Formulation



Fill quantity control



Statistics



Classification



Statistical process control

## Technical specifications

### General technical data for the flat-bed scale IF

| Parameters                                     | Description   |
|--|---|
| IFP  | <ul style="list-style-type: none"> <li>- Powder-coated steel (colour: RAL7030)</li> <li>- Protection class IP65</li> <li>- Option Y2 for use in Ex zone 2 and 22</li> <li>ATEX: II 3 GD EEx nA II T6 T80°C</li> </ul>   |
| IFS  | <ul style="list-style-type: none"> <li>- Blasted stainless steel 1.4301</li> <li>- Protection class IP68</li> </ul> <p>Optional:</p> <ul style="list-style-type: none"> <li>- Load plate in electropolished stainless steel 1.4301 or electropolished stainless steel 1.4571</li> <li>- Option Y2 for use in Ex zone 2 and 22</li> <li>ATEX: II 3 GD EEx nA II T6 T80°C</li> </ul>      |
| IFXS   | <ul style="list-style-type: none"> <li>- Blasted stainless steel 1.4301</li> <li>- Protection class IP69K</li> <li>- Ex version for use in Ex zone 1 and 21</li> <li>ATEX: II 2 GD EEx ib II C T4 T150°C</li> </ul> <p>Optional:</p> <ul style="list-style-type: none"> <li>- Load plate in electropolished stainless steel 1.4301 or electropolished stainless steel 1.4571</li> </ul> |
| Platform cable length                          | 6 m, mounted as standard on the weighing platform   |
| Operating temperature range accuracy class III | -10 ... +40 °C  |
| Operating temperature range not verified       | -10 ... +40 °C  |
| Storage temperature range                      | -10 ... +40 °C  |
| Weighing system                                | Four C3 load cells  |
| Resolution                                     | Verifiable in class III (1×3,000 e, 2×3,000 e) or non-verifiable up to 30,000 d (with options T10/T16: up to 15,000 d)  |
| Miscellaneous                                  | Four height adjustable feet, levelling equipment, overload protection   |

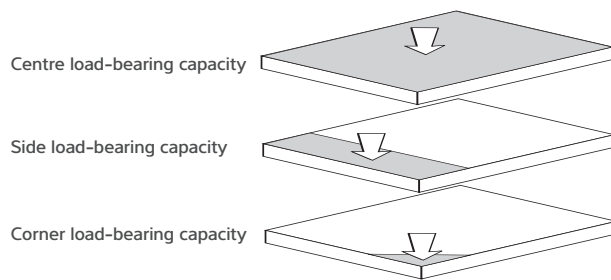
### Resolutions of single-range scale

| Weighing range in kg | -I<br>30,000 d in g | -L<br>15,000 d in g | -LCE<br>1×3,000 e verifiable in g |
|----------------------|---------------------|---------------------|-----------------------------------|
| 150                  | 5                   | 10                  | 50                                |
| 300                  | 10                  | 20                  | 100                               |
| 600                  | 20                  | 50                  | 200                               |
| 1,000                | 50                  | 100                 | 500                               |
| 1,500                | 50                  | 100                 | 500                               |
| 3,000                | 100                 | 200                 | 1,000                             |

### Resolutions of multi-range scale

| Weighing range in kg | -NCE, 2×3,000 e verifiable |                                      |                        |                                      |
|----------------------|----------------------------|--------------------------------------|------------------------|--------------------------------------|
|                      | Weighing range 1 in kg     | Resolution for weighing range 1 in g | Weighing range 2 in kg | Resolution for weighing range 2 in g |
| 150                  | 60                         | 20                                   | 150*                   | 50                                   |
| 300                  | 150                        | 50                                   | 300                    | 100                                  |
| 600                  | 300                        | 100                                  | 600                    | 200                                  |
| 1,000                | 600                        | 200                                  | 1,000                  | 500                                  |
| 1,500                | 600                        | 200                                  | 1,500                  | 500                                  |
| 3,000                | 1,500                      | 500                                  | 3,000                  | 1,000                                |

\* 150 kg weighing range not possible for sizes NN, RN, RR, WR as -NCE variant.



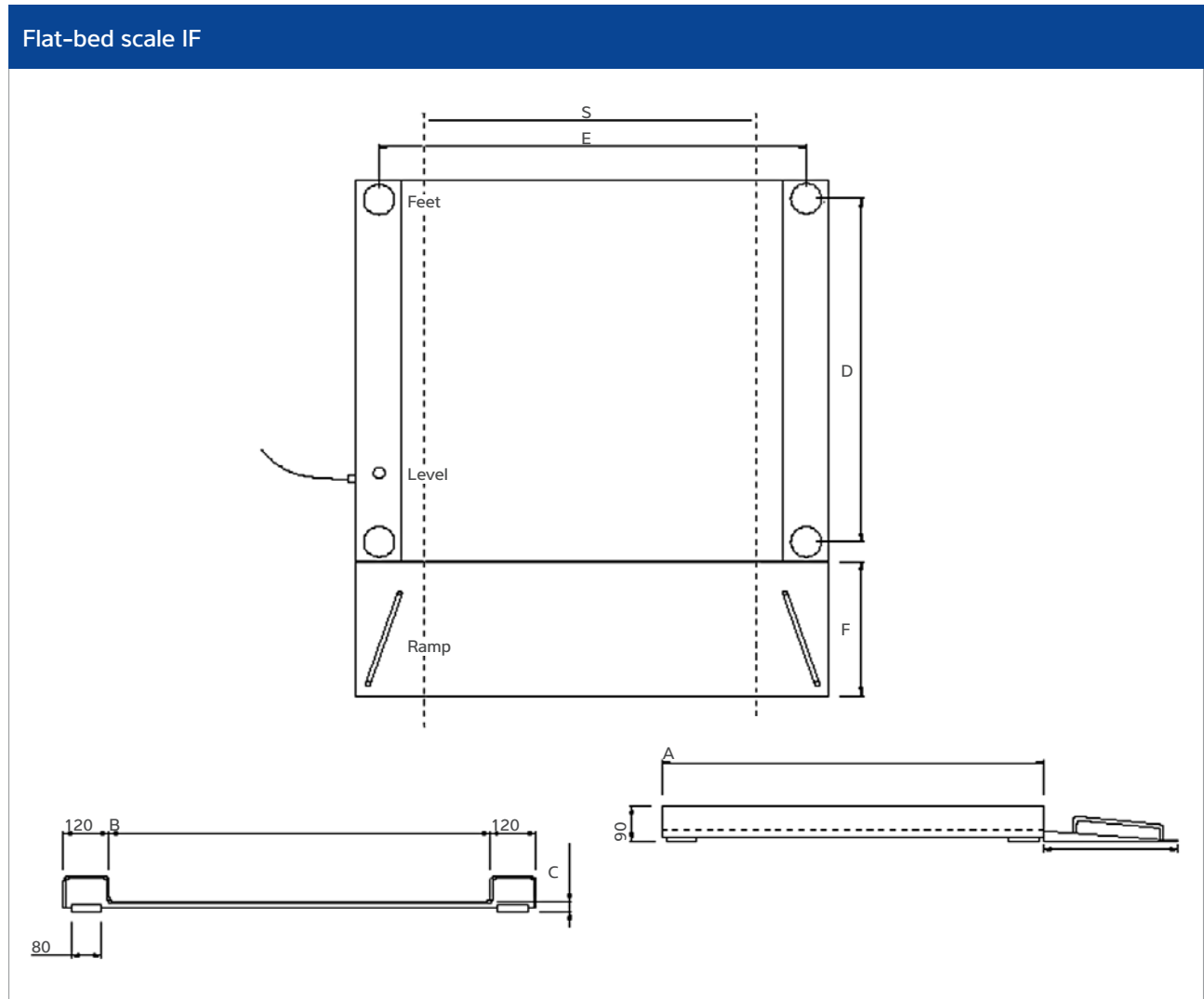
## Operating limits – Load capacity in accordance with DIN 1925/normal load 2

| Weighing range in kg | Dimension codes | Centre load-bearing capacity in kg | Side load-bearing capacity in kg | Corner load-bearing capacity in kg | Load-bearing capacity per axle with optional installation heights* |
|----------------------|-----------------|------------------------------------|----------------------------------|------------------------------------|--|
| 150                  | GG to NL        | 300                                | 150                              | 75                                 | 150  |
| 150                  | NN to WR        | 600                                | 300                              | 150                                | 300  |
| 300                  |                 | 600                                | 300                              | 150                                | 300  |
| 600                  |                 | 1,700                              | 850                              | 425                                | 850  |
| 1,000                |                 | 2,000                              | 1,000                            | 500                                | 1,000  |
| 1,500                |                 | 3,000                              | 1,500                            | 750                                | 1,500  |
| 3,000                |                 | 3,500                              | 1,500                            | 750                                | 1,500  |

## Own weight and packaging data

| Size code | Dimensions (A×B in mm) | Net weight (incl. 1 ramp) in kg | Gross weight (with palette) in kg | Weight of the ramp in kg | Packaging Length in mm | Width in mm | Height in mm |
|-----------|------------------------|---------------------------------|-----------------------------------|--------------------------|------------------------|-------------|--------------|
| GG        | 600×600                | 55                              | 90                                | 14                       | 1,160                  | 1,230       | 260          |
| IG        | 800×600                | 65                              | 100                               | 14                       | 1,160                  | 1,230       | 260          |
| II        | 800×800                | 75                              | 110                               | 18                       | 1,160                  | 1,230       | 260          |
| LG        | 1,000×600              | 75                              | 110                               | 14                       | 1,160                  | 1,230       | 260          |
| LI        | 1,000×800              | 85                              | 120                               | 18                       | 1,160                  | 1,230       | 260          |
| LL        | 1,000×1,000            | 130                             | 170                               | 30                       | 1,400                  | 1,440       | 280          |
| NL        | 1,250×1,000            | 140                             | 180                               | 30                       | 1,400                  | 1,440       | 280          |
| NN        | 1,250×1,250            | 170                             | 218                               | 35                       | 1,650                  | 1,680       | 280          |
| RN        | 1,500×1,250            | 200                             | 248                               | 35                       | 1,650                  | 1,680       | 280          |
| RR        | 1,500×1,500            | 230                             | 285                               | 40                       | 1,650                  | 1,680       | 280          |
| WR        | 2,000×1,500            | 270                             | 335                               | 40                       | 2,150                  | 1,900       | 280          |

## Technical diagrams



- \* Minimum track width of the scale (S in mm)
- NB: 25 or 35 mm with optional installation heights
  - Calculation basis for min. track width (S): width (B) minus 150 mm

## Platform dimensions flat-bed scale IF

| Size code | GG  | IG  | II  | LG    | LI    | LL    | NL    | NN    | RN    | RR    | WR    |
|-----------|-----|-----|-----|-------|-------|-------|-------|-------|-------|-------|-------|
| A (mm)    | 600 | 800 | 800 | 1,000 | 1,000 | 1,000 | 1,250 | 1,250 | 1,500 | 1,500 | 2,000 |
| B (mm)    | 600 | 600 | 800 | 600   | 800   | 1,000 | 1,000 | 1,250 | 1,250 | 1,500 | 1,500 |
| E (mm)    | 720 | 720 | 920 | 720   | 920   | 1,120 | 1,120 | 1,370 | 1,370 | 1,620 | 1,620 |
| D (mm)    | 500 | 700 | 700 | 900   | 900   | 900   | 1,150 | 1,150 | 1,400 | 1,400 | 1,900 |

| Dimensions (A×B in mm) | Size code | Standard installation height/optional installation height C (mm) |        |        |          |          |          |
|------------------------|-----------|--|--------|--------|----------|----------|----------|
|                        |           | 150 kg   | 300 kg | 600 kg | 1,000 kg | 1,500 kg | 3,000 kg |
| 600×600                | GG        | 35/25  | 35/25  | 35/25  | 35/25    | -        | -        |
| 800×600                | IG        | 35/25  | 35/25  | 35/25  | 35/25    | -        | -        |
| 800×800                | II        | 35/25  | 35/25  | 35/25  | 35/25    | 35/25    | -        |
| 1,000×600              | LG        | 35/25  | 35/25  | 35/25  | 35/25    | 35/25    | -        |
| 1,000×800              | LI        | 35/25  | 35/25  | 35/25  | 35/25    | 45/35    | -        |
| 1,000×1,000            | LL        | 35/25  | 35/25  | 35/25  | 35/-     | 45/35    | 45/-     |

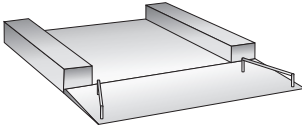
| Dimensions (A×B in mm) | Size code | Standard installation height/optional installation height C (mm) |        |        |          |          |          |
|------------------------|-----------|--|--------|--------|----------|----------|----------|
|                        |           | 150 kg   | 300 kg | 600 kg | 1,000 kg | 1,500 kg | 3,000 kg |
| 1,250×1,000            | NL        | 35/25  | 35/25  | 35/25  | 35/-     | 45/35    | 45/-     |
| 1,250×1,250            | NN        | 35/25  | 35/25  | 45/35  | 45/35    | 45/35    | 45/-     |
| 1,500×1,250            | RN        | 35/25  | 35/25  | 45/35  | 45/35    | 45/35    | 45/-     |
| 1,500×1,500            | RR        | 45/35  | 45/35  | 45/35  | 45/-     | 45/-     | 45/-     |
| 2,000×1,500            | WR        | 45/35  | 45/35  | 45/35  | 45/-     | 45/-     | 45/-     |

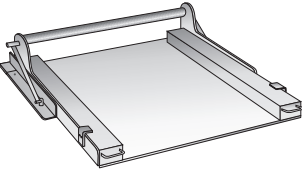
## Access ramp dimensions flat-bed scale IF

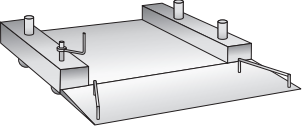
| Size code                               | GG  | IG  | II  | LG  | LI  | LL  | NL  | NN  | RN  | RR  | WR  |
|---|-----|-----|-----|-----|-----|-----|-----|-----|-----|-----|-----|
| F (mm), at 35/25 mm installation height | 350 | 350 | 350 | 350 | 350 | 350 | 350 | 350 | 350 | 350 | -   |
| F (mm), at 45 mm installation height    | -   | -   | -   | -   | 500 | 500 | 500 | 500 | 500 | 500 | 500 |

## Options

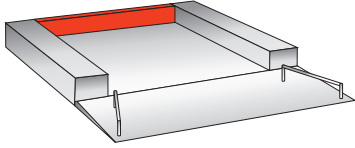
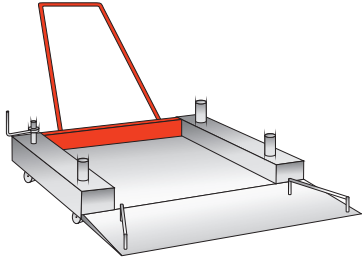
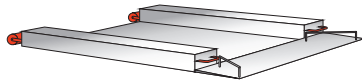
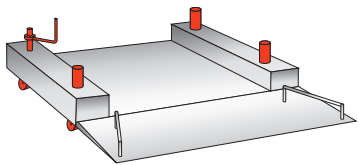
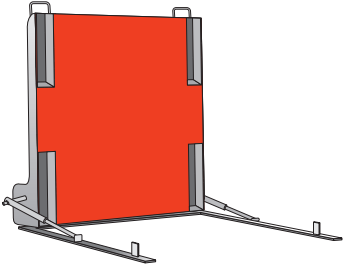
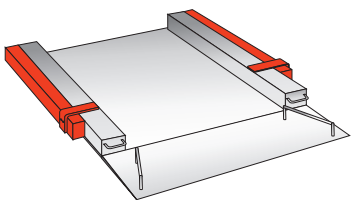
### Flat-bed scale IF overview

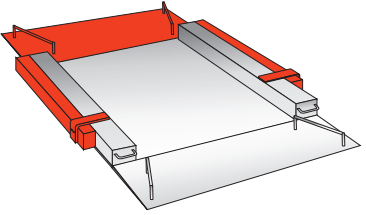
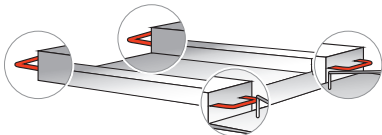
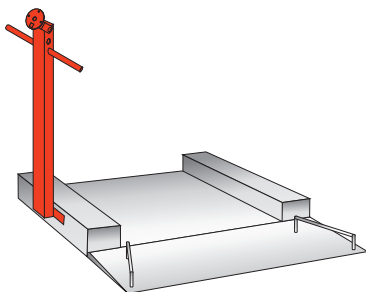
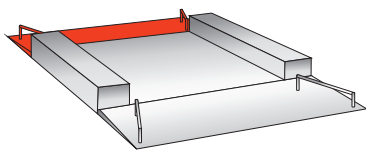
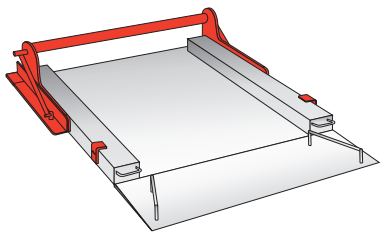
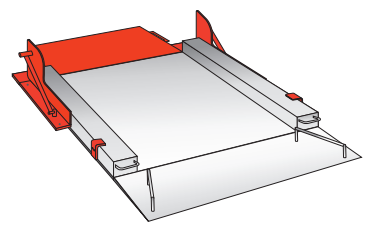
| Standard model  | Option | Description   |
|---|--------|---|
|  | T4     | Drive-through protection for loading and unloading from one side only                             |
|   | T13    | Four transport grips on front and rear side   |
|   | T6     | Rollers on the rear side and grips on the front side for one-sided lifting and manoeuvring        |
|   | T15    | Second ramp for two-sided loading and use as a drive-through scale                                |
|   | T14    | Column for mounting an electronic scale display   |
|   | T9     | Cover plate for additional protection of the underside of the platform with openings for the feet |

| Folding models  | Option | Description  |
|---|--------|--|
|  | T16    | Premium folding device: meets NIOSH requirements for one-person operability (required lifting force < 20 kg) |
|   | T17    | As with option T16, however, with a second ramp for two-sided loading and use as a drive-through scale       |
|   | T10    | Basic folding device with folding hinge and gas-pressure spring for two-person operation                     |
|   | T11    | As with option T10, however, with a second ramp for two-sided loading and use as a drive-through scale       |
|   | T4     | Drive-through protection for loading and unloading from one side only  |
|   | T9     | Cover plate for additional protection of the underside of the platform with openings for the feet            |

| Models with wheels  | Option | Description   |
|---|--------|---|
|  | T7     | Four built-in, foldaway wheels for easy manoeuvring of the platform                               |
|   | T5     | Steering drawbar for easy movement, combined with drive-through protection as standard            |
|   | T4     | Drive-through protection for loading and unloading from one side only                             |
|   | T9     | Cover plate for additional protection of the underside of the platform with openings for the feet |
|   | T15    | Second ramp for two-sided loading and use as a drive-through scale                                |
|   | T14    | Column for mounting an electronic scale display   |

## The options for each model variant in detail

| Option T4: closing panel  | Description  |
|---|--|
|    | <p>Drive-through protection for loading and unloading from one side only</p>                             |
|    | <p>Steering drawbar for easy movement, combined with drive-through protection as standard</p>            |
|   | <p>Rollers on the rear side and grips on the front side for one-sided lifting and manoeuvring</p>        |
|  | <p>Four built-in, foldaway and integrated wheels for easy manoeuvring of the platform</p>                |
|  | <p>Cover plate for additional protection of the underside of the platform with openings for the feet</p> |
|  | <p>Basic folding device with folding hinge and gas-pressure spring for two-man operation</p>             |

|   |  |
|---|--|
| Option T11: basic folding device with second Ramp                                   | Description  |
|    | <p>Basic folding device with folding hinge and gas-pressure spring for two-man operation, with second ramp for two-sided loading and use as a drive-through scale</p>  |
| Option T13: four grips  | Description  |
|    | <p>Four transport grips on front and rear side</p>   |
| Option T14: stainless steel column  | Description  |
|   | <p>Column for mounting an electronic scale display</p>   |
| Option T15: basic model with second Ramp  | Description  |
|  | <p>Basic model with a second ramp for two-sided loading and use as a drive-through scale</p>   |
| Option T16: premium lifting mechanism   | Description  |
|  | <ul style="list-style-type: none"> <li>- Premium folding mechanism: compliant with NIOSH requirements for one-person operation (required lifting force &lt; 20 kg)</li> <li>- Deep weighing surface for safe and easy loading</li> <li>- 88° lifting angle for easy cleaning</li> <li>- Optional surface finish (roughness &lt; 0.4 μm)</li> </ul> |
| Option T17: premium folding device with second Ramp                                 | Description  |
|  | <p>Premium folding device: meets NIOSH requirements for one-person operability (required lifting force &lt; 20 kg), with a second ramp for two-sided loading and use as a drive-through scale</p>  |



Explosion protection

## Ex solutions

### Ex application areas for flat-bed scale IFP4.../IFS4... with option Y2

| Zone | Labelling                         |
|------|-----------------------------------|
| 2    | ATEX:<br>II 3G Ex nA IIC T6 Gc    |
| 22   | ATEX:<br>II 3D Ex tc IIC T80°C Dc |

### Ex application areas for flat-bed scale IFXS4...

| Zone | Labelling   |
|------|---|
| 1    | ATEX:<br>(II 2 G) EEx ib IIC T4<br>USA (FM):<br>IS CL I, II, III, DIV 1, 2, GP A,B,C,D,E,F,G T4<br>CL I, zone 1, AEx ib IIC T4 CL II, zone 20<br>Canada (CSA):<br>Ex ia CL I,II,III, DIV 1, 2, GP A,B,C,D,E,F,G T4<br>zone 1, Ex ib IIC T4 zone 20 DIV 2: Ta = 50°C |
| 21   | ATEX:<br>(II 1D) T155°C   |

## Ordering information

### Ordering system legend for flat-bed scale IF

| Product range | Explosion protection | Material/Version | Number of load cells |   | Weighing range (kg) | Weighing platform size |   | Display resolution |
|---------------|----------------------|------------------|----------------------|---|---------------------|------------------------|---|--------------------|
| IF            | X                    | P                | 4                    | - | 150                 | GG                     | - | L                  |
|               |                      |                  |                      |   | 300                 | IG                     |   | I                  |
|               |                      |                  |                      |   | 600                 | II                     |   | LCE                |
|               |                      |                  |                      |   | 1,000               | LG                     |   | NCE                |
|               |                      |                  |                      |   | 1,500               | LI                     |   |                    |
|               |                      |                  |                      |   | 3,000               | LL                     |   |                    |
|               |                      |                  |                      |   |                     | NL                     |   |                    |
|               |                      |                  |                      |   |                     | NN                     |   |                    |
|               |                      |                  |                      |   |                     | RN                     |   |                    |
|               |                      |                  |                      |   |                     | RR                     |   |                    |
|               | WR                   |                  |                      |   |                     |                        |   |                    |

### Example order code: IFP4-1500RR-L

| Versions |                 |
|----------|-----------------|
| P        | Painted steel   |
| S        | Stainless steel |
| X        | Ex-protected    |

| Resolutions |                          |
|-------------|--------------------------|
| L           | 15,000 d, non-verifiable |
| I           | 30,000 d, non-verifiable |
| LCE         | 3,000 e, verifiable      |
| NCE         | 2×3,000 e, verifiable    |

The products and solutions presented in this data sheet make major contributions in the following sectors:



The technical data given serves as a product description only and should not be understood as guaranteed properties in the legal sense.

Specifications subject to change without notice.  
Rev. 08/2018

Minebea Intec Bovenden GmbH & Co. KG  
Leinetal 2  
37120 Bovenden, Germany  
Phone +49.551.309.83.0  
sales.industry@minebea-intec.com  
www.minebea-intec.com