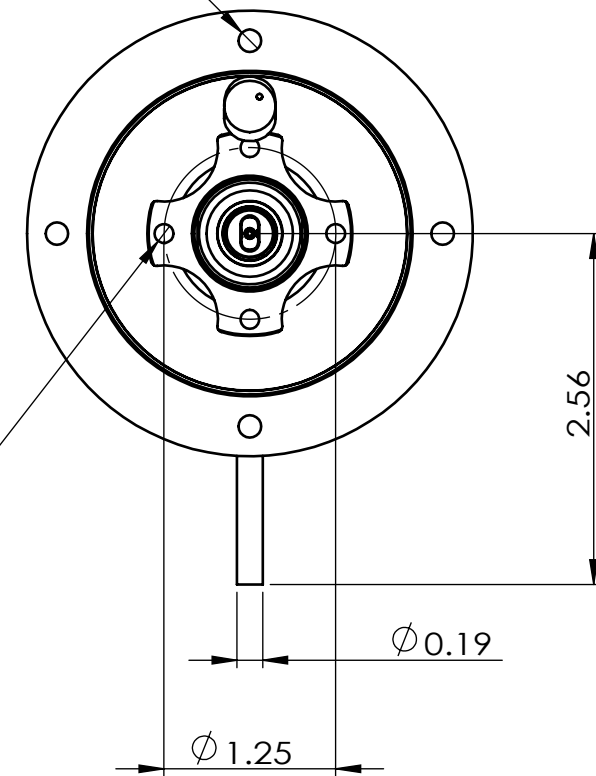


MOUNTING HOLES $\phi 0.16$
(4x90°) ON $\phi 2.81$ B.C.

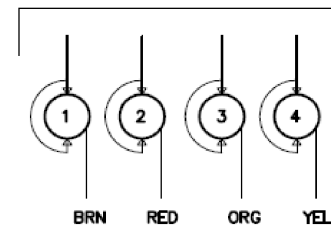
#4-40 TAP THRU
FOR MOUNTING
(4x90°)



1. ELECTRICAL SPECIFICATIONS

CURRENT- 10 AMPS CONTINUOUS, EACH RING
 VOLTAGE- 600 V
 ELECTRICAL NOISE- < 5 μ V
 R-<500mOhm

18 AWG. 600V TEFLON WIRE



2. MECHANICAL SPECIFICATIONS

COIN SILVER RINGS
 SILVER-GRAPHITE CONTACTS
 BALL BEARINGS
 STAINLESS STEEL ENCASEMENT PARTS
 VIBRATION- MIL-STD-167-1A

PROPRIETARY AND CONFIDENTIAL
 THE INFORMATION CONTAINED IN THIS DRAWING IS THE SOLE PROPERTY OF PRINCETEL, INC. ANY REPRODUCTION IN PART OR AS A WHOLE WITHOUT THE WRITTEN PERMISSION OF PRINCETEL, INC. IS PROHIBITED.

UNLESS OTHERWISE SPECIFIED:

DIMENSIONS ARE IN inch

TOLERANCES:
 ANGULAR: $\pm 1/2^\circ$
 ONE PLACE DECIMAL ± 0.100
 TWO PLACE DECIMAL ± 0.050
 THREE PLACE DECIMAL ± 0.025

MATERIAL:

	DATE	NAME	PRINCETEL, INC.	
DRAWN	1/4/2012	L. X.	TITLE:	
CHECKED		R. Z.	Slipring/FORJ	
ENG APPR.				
MFG APPR.				
Q.A.				
COMMENTS: THIRD ANGLE PROJECTION			SIZE	DWG. NO.
			B	SR223-04-MJ2NB
			REV	1.0
			PART NO.	SHEET 1 OF 1