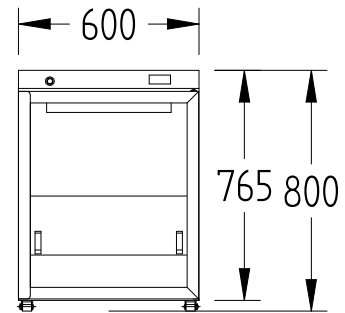
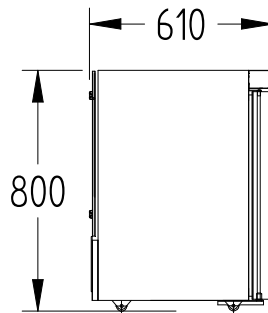


HTM145GDCB



CATEGORY	TOPAZ CAFÉ RANGE
RANGE	Topaz Milk
UNIT	REFRIGERATOR
TYPE	SELF CONTAINED
DOOR	1



SPECIFICATIONS

CAPACITY LITRES	145	
TEMPERATURE	1°C / 4°C	
DIMENSIONS - W X D X H MM	600 W x 610 D x 800 H	
WEIGHT UNPACKED (KG)	55	
DOOR TYPE	Standard: GD (Glass Door)	
FINISH (INTERIOR AND EXTERIOR EXCLUDING REAR AND UNDER)	CB (White)	
SHELVES	2	
ELECTRICAL		
POWER SUPPLY	10 amp	
FRIDGE MODELS	RUNNING AMPS	1.0
GAS TYPE		
REFRIGERANT	FRIDGE MODELS	R134a

*** For **OPTIONS** refer to the current Williams Price Guide