

## Ceiling & wall-to-wall rails

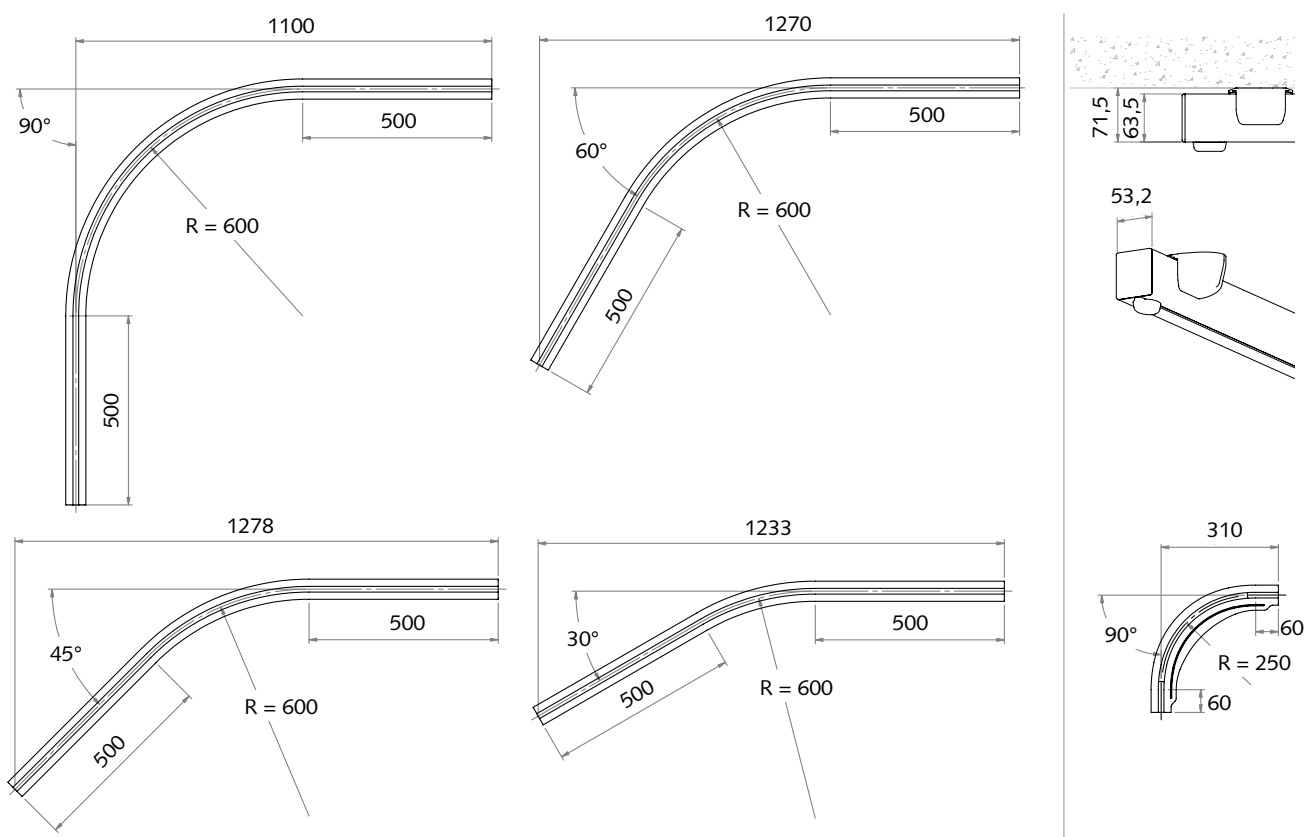
Discreet and efficient transferring solution



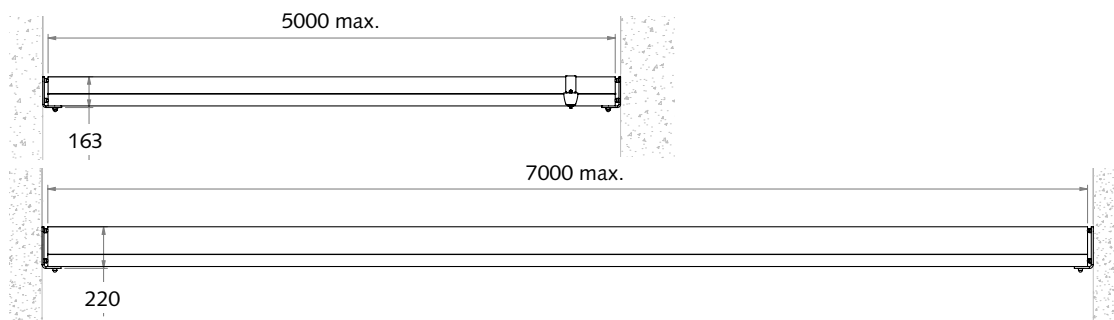
Lift & Care systems for people with reduced mobility

# Ceiling & wall-to-wall rails

## ● Dimensions (mm)



### Wall-to-wall rails



## ● Technical specifications

Safe working load..... 240 - 330 kg  
 Material..... Aluminum painted

For free demonstration or further information

