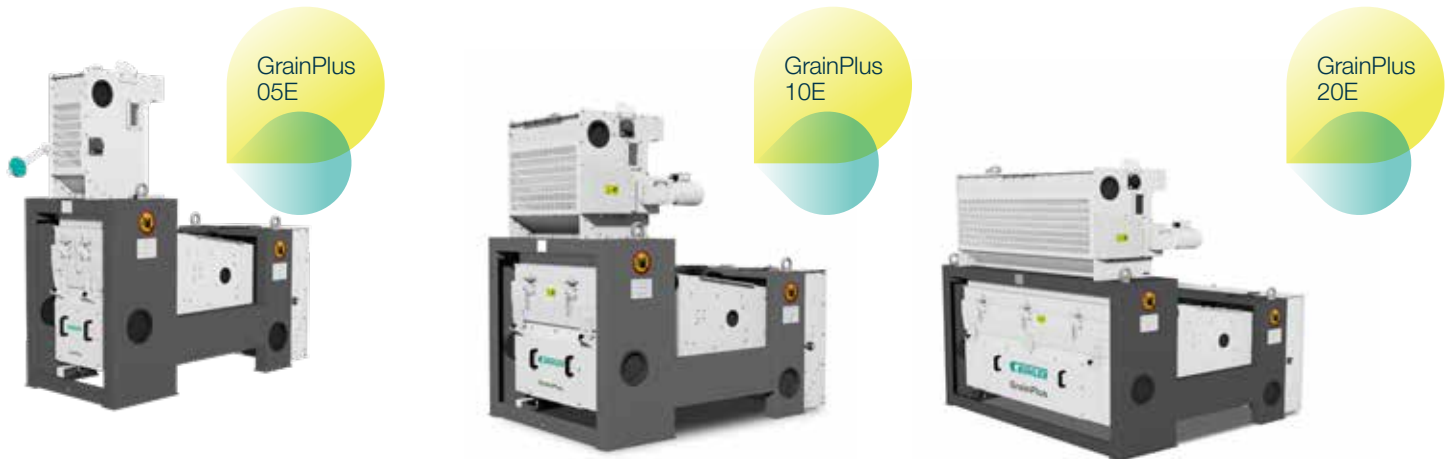




Screening machine  
GrainPlus.  
**LAGA.**

# The compact screening machine. For economical operations at small capacities.



Flexibility and ease of use have a name: GrainPlus. The compact screening machine for the small capacity range up to 50 t/h (for wheat) is ideally suited for the use in collection points and reception facilities as well as for the processing of grain in mills, malting or seed processing plants.

## Broad range of applications thanks to flexible configuration.

The GrainPlus screening machines are universally applicable to the efficient cleaning of grain and other bulk materials. The cleaning result is improved even further with the optionally available inlet aspiration unit: pre-aspiration of the product reduces wear and dust accumulation on the screens, thus reducing the need for maintenance. A permanent magnet can be optionally integrated in the vertical sifter to remove metallic impurities from the product flow to ensure a safe process.

## Minimum cleaning effort and high sanitation standard.

All machine parts touching the product are easily accessible and therefore easy to clean. The frontal access to the sieves makes changing the sieves considerably easy. A fabric cloth in the inlet area ensures dust-free operation and keeps the machine environment clean all the time.

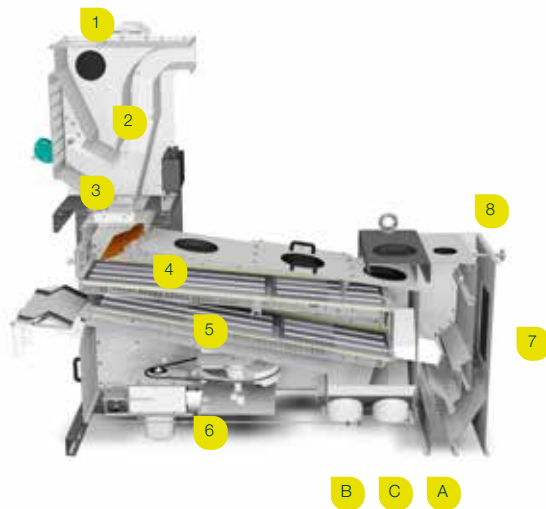
## The benefits at a glance:

- Flexible configuration for multifunctional applications and the desired separation effect
- Minimum cleaning effort and high sanitation standard
- Compact design at investment-friendly prices

## Compact design at investment-friendly prices.

With up to 6 m<sup>2</sup> sieve area and integrated outlet aspiration on less than 2.30 meters in length, the GrainPlus screening machines can easily be integrated into new or existing plants. But it is more than just the compact and robust design as well as the excellent cleaning results that are exciting. Ask for an offer and get convinced about how low the investment costs are for the GrainPlus machines.

# Wide variety of options. For multiple applications and customized solutions.



»We use the GrainPlus for the cleaning and processing of malt. The machine works very efficient and runs without any problems – this helps us to save valuable time and money.«

**Karl Locher, Managing director,  
Brauerei Locher AG, Switzerland**

- |                               |                                 |
|-------------------------------|---------------------------------|
| <b>1</b> Product inlet        | <b>7</b> Vertical sifter        |
| <b>2</b> Vibrating inlet flap | <b>8</b> Exhaust air connection |
| <b>3</b> Inlet aspiration     | <b>A</b> 1 <sup>st</sup> grade  |
| <b>4</b> Pre-screen layer     | <b>B</b> 2 <sup>nd</sup> grade  |
| <b>5</b> Main-sceen layer     | <b>C</b> Coarse particles       |
| <b>6</b> Sieve box drive      |                                 |

## Technical data and capacities:

		GrainPlus 05	GrainPlus 05E	GrainPlus 10	GrainPlus 10E	GrainPlus 20	GrainPlus 20E
<b>Max. product capacities</b>							
Wheat (0.75 t/m <sup>3</sup> , 18 % H <sub>2</sub> O) PS: D 8 mm, MS: 2.25 x 23 mm	t/h	12	12	25	25	50	50
Feed barley (0.65 t/m <sup>3</sup> , 18 % H <sub>2</sub> O) PS: D 8 mm, MS: 2.25 x 23 mm	t/h	10	10	20	20	40	40
Corn (dry) (0.75 t/m <sup>3</sup> , 15 % H <sub>2</sub> O) PS: D 13 mm, MS: D 13 mm	t/h	12	12	25	25	50	50
Corn (wet) (0.75 t/m <sup>3</sup> , 35 % H <sub>2</sub> O) PS: D 13 mm, MS: blind	t/h	6	6	12	12	25	25
Canola (0.60 t/m <sup>3</sup> , 16 % H <sub>2</sub> O) PS: D 3.5 mm, MS: 1 x 23 mm	t/h	6	6	12	12	25	25
Soybeans (0.75 t/m <sup>3</sup> , 18 % H <sub>2</sub> O) PS: D 13 mm, MS: 2.25 x 23 mm	t/h	15	15	30	30	60	60
<b>Operating width</b>	mm	500	500	1,000	1,000	2,000	2,000
<b>Screen area</b>		1.5	1.5	3	3	6	6
Pre-screen area	m <sup>2</sup>	0.75	0.75	1.5	1.5	3	3
Main-screen area		0.75	0.75	1.5	1.5	3	3
<b>Motor power</b>							
Screen box	kW	0.75	0.75	0.75	0.75	0.75	0.75
Others		-	-	-	0.75	-	0.75
<b>Aspiration connection</b>							
Inlet aspiration (at 300 Pa)	m <sup>3</sup> /min	-	15	-	30	-	70
Outlet aspiration (at 300 Pa)		35	35	70	70	120	120
<b>Total weight</b> (without magnet)	kg	~ 710	~ 815	~ 966	~ 1,260	~ 1,615	~ 1,966
<b>Dimensions</b> (L x W x H)	m	2.24 x 0.91 x 1.48	2.24 x 0.91 x 2.15	2.24 x 1.41 x 1.48	2.24 x 1.41 x 2.15	2.24 x 2.41 x 1.48	2.24 x 2.41 x 2.15

Machine configuration **E** with inlet aspiration.

## **Bühler GmbH**

Grain Quality and Supply  
DE-92339 Beilngries  
Germany

T +49 8641 701 0  
F +49 8641 701 133

[grain-quality-supply@buhlergroup.com](mailto:grain-quality-supply@buhlergroup.com)  
[buhlergroup.com](http://buhlergroup.com)

GQ\_AB\_Screening\_machine\_GrainPlus\_EN\_14203\_01