

# Pre-Plumbed Hand Wash Trough



## TPWDPH

Scan QR code to view our installation notes



To order this item please advise:

- Tap quantity and code
- Trough length
- Waste position – Left or Right

### Product Info:

- Supplied with pre-plumbed timed flow taps
- Just connect water and waste
- Anti-vandal timed flow tapware (6 secs)
- Choose button or lever activated taps
- Concealed tapware connections
- Radius external and internal trough corners
- Wall brackets and 50mm waste supplied

### Suggested Tapware:

(see Tapware Section: 11 for complete range of options)



**TW-0007**  
Top Activated Timed Flow Bib Tap



**TW-0048**  
Top Lever Timed Flow Bib Tap



**TW-9106**  
Front Lever Timed Flow Bib Tap



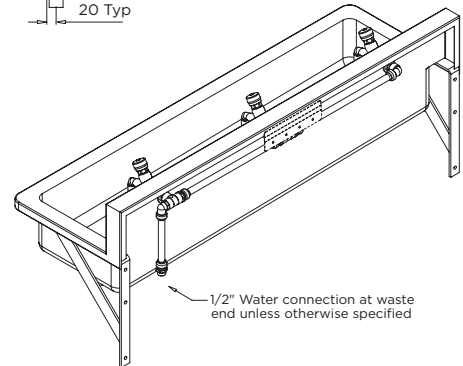
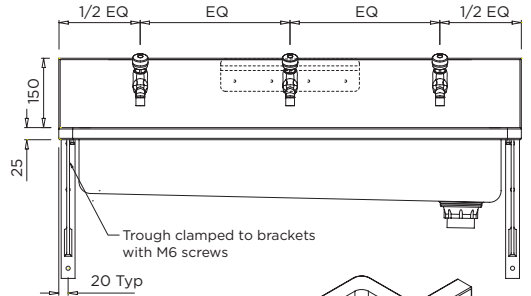
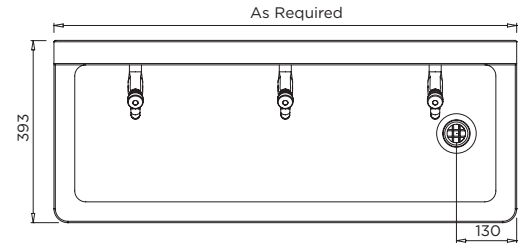
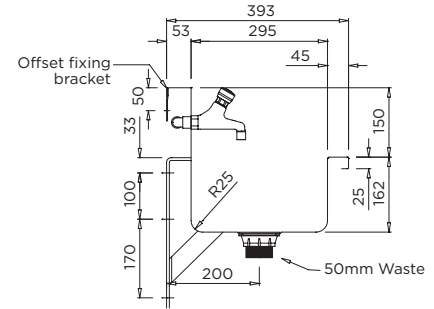
**TW-9104**  
Front Activated Timed Flow Bib Tap

## INSTALLATION NOTES

- 1) Fixture strength is ultimately determined by the load capacity of the supporting structure (noggins recommended for stud wall construction) and use of appropriate fixings (i.e. sleeve anchors for masonry walls).
- 2) Trough supplied pre-plumbed with a 1/2" male water connection at same end as waste unless specified otherwise.
- 3) Trough is mounted to wall via two end brackets (inserted into end fascias of trough) and an offset bracket positioned at the rear of the splashback.
- 4) An additional centre bracket that supports the underside of the fixture is supplied for troughs over 2000mm.
- 5) Water connection: Min = 250kPa, Max = 500kPa subject to no. of bubblers and flow conditions.
- 6) Front support legs supplied only by specific request.
- 7) Troughs can be supplied with multiple tap styles where required.

### Suggested Mounting Heights (mm)

	infant	primary	secondary
wash	550	650	700



Due to ongoing research and our commitment to product development, details are subject to change without notice. Details accurate at time of print

Please refer to [britex.com.au](http://britex.com.au) for the most current product information. Allow +/- 5mm tolerance for dimensions and setouts shown in product literature.