



Aquatec® Ocean VIP Ergo / Aquatec® Ocean Dual VIP Ergo

en	Shower and Toilet Commode User Manual	3
de	Dusch- und Toilettenrollstuhl Gebrauchsanweisung.....	33
fr	Chaise roulante pour douche/toilettes Manuel d'utilisation.....	69
it	Carrozzina da doccia e da toilette Manuale d'uso.....	103
es	Silla de ducha e inodoro Manual del usuario	137
pt	Cadeira de duche e sanitária Manual de utilização.....	171
nl	Douche- en toiletstoel Gebruiksaanwijzing	205
el	Προσάρτημα ντους και τουαλέτας Εγχειρίδιο χρήσης	239



This manual **MUST** be given to the user of the product.
BEFORE using this product, this manual **MUST** be read and saved for
future reference.

AQUATEC®



Yes, you can.®

©2019 Invacare Corporation

All rights reserved. Republication, duplication or modification in whole or in part is prohibited without prior written permission from Invacare. Trademarks are identified by ™ and ®. All trademarks are owned by or licensed to Invacare Corporation or its subsidiaries unless otherwise noted.

Contents

This manual MUST be given to the user of the product.
BEFORE using this product, this manual MUST be read and saved
for future reference.

1 General	4
1.1 Introduction	4
1.2 Symbols in this manual	4
1.3 Warranty information	4
1.4 Compliance	5
1.4.1 Product-specific standards	5
1.5 Intended use	5
1.6 Service life	5
2 Safety	6
2.1 Safety information	6
2.2 Labels and symbols on the product	6
3 Components	9
3.1 Overview	9
4 Setup	11
4.1 Safety information	11
4.2 Assembling the shower and toilet commode	11
4.2.1 Adjusting the seat height	11
4.2.2 Installing the backrest	12
4.2.3 Installing the activation handle	13
4.2.4 Installing/Removing the seat plate	14
4.2.5 Adjusting the height of the armrests	14
4.2.6 Installing the footrests	15
4.2.7 Installing the headrest	15
4.2.8 Installing the rear antitippers	16
4.2.9 Installing/removing the brake covers / clamping protection covers	17
5 Accessory (optional)	18
5.1 Fitting/removing the toilet pan holder and toilet pan	18

6 Usage	20
6.1 Safety information	20
6.2 Swiveling the armrests	21
6.3 Swivelling the footrests	22
6.4 Tilting the seat frame with backrest	22
6.5 Tilting the backrest (Ocean Dual VIP Ergo only)	23
6.6 Engaging/disengaging the castor locks	24
7 Transport	25
7.1 Safety information	25
8 Maintenance	26
8.1 Maintenance and inspection	26
8.2 Cleaning and disinfection	26
9 After Use	28
9.1 Storage	28
9.2 Re-use	28
9.3 Disposal	28
10 Troubleshooting	29
10.1 Identifying and repairing faults	29
11 Technical Data	30
11.1 Dimensions and weight	30
11.2 Materials	32
11.3 Environmental parameters	32

1 General

1.1 Introduction

This user manual contains important information about the handling of the product. To ensure safety when using the product, read the user manual carefully and follow the safety instructions.

Note that there may be sections in this document, which are not relevant to your product, since this document applies to all available models (on the date of printing). If not otherwise stated, each section in this document refers to all models of the product.

The models and configurations available in your country can be found in the country-specific price lists.

Invacare reserves the right to alter product specifications without further notice.

Before reading this document, make sure you have the latest version. You find the latest version as a PDF on the Invacare website.

If you find that the font size in the printed document is difficult to read, you can download the PDF version from the website. The PDF can then be scaled on screen to a font size that is more comfortable for you.

For more information about the product, for example product safety notices and product recalls, contact your Invacare representative. See addresses at the end of this document.

1.2 Symbols in this manual

Symbols and signal words are used in this manual and apply to hazards or unsafe practices which could result in personal injury or property damage. See the information below for definitions of the signal words.



WARNING

Indicates a hazardous situation that could result in serious injury or death if it is not avoided.



CAUTION

Indicates a hazardous situation that could result in minor or slight injury if it is not avoided.



IMPORTANT

Indicates a hazardous situation that could result in damage to property if it is not avoided.



Tips and Recommendations

Gives useful tips, recommendations and information for efficient, trouble-free use.



This product complies with Directive 93/42/EEC concerning medical devices. The launch date of this product is stated in the CE declaration of conformity.



Manufacturer of the product.

1.3 Warranty information

We provide a manufacturer's warranty for the product in accordance with our General Terms and Conditions of Business in the respective countries.

Warranty claims can only be made through the provider from whom the product was obtained.

1.4 Compliance

Quality is fundamental to the company's operation, working within the disciplines of ISO 13485.

This product features the CE mark, in compliance with the Medical Device Directive 93/42/EEC Class 1.

We are continuously working towards ensuring that the company's impact on the environment, locally and globally, is reduced to a minimum.

We only use REACH compliant materials and components.

1.4.1 Product-specific standards

The product has been tested and conforms to the standard ISO 17966 (Assistive products for personal hygiene that support users) and related standards. This includes testing concerning flammability. Progressive smouldering ignition and flaming ignition do not occur.

For further information about local standards and regulations, contact your local Invacare representative. See addresses at the end of this document.

1.5 Intended use

The shower and toilet commode is designed exclusively as an aid for showering or bathing, going to the toilet, for use during personal hygiene (e.g. in front of the basin) or for transferring patients while indoors. It is intended to be used by youth and adult patients with or without caregiver's assistance, who have:

- Difficulty standing or keeping their balance
- Weak legs or lower limb disability
- Medical conditions that impair their balance

The product is intended for institutional and private household use. Any other use is prohibited.



WARNING! **Risk of injury**

- Never use the product as an aid for getting into or out of a bathtub, for climbing or descending, as a support or for similar purposes.
- Do not use the product outdoors.

As a toilet commode, the product can be used over a standard toilet or independently with the toilet pan (optional).

Temperature for use: 10 - 65 °C

1.6 Service life

The expected service life of this product is five years when used daily and in accordance with the safety instructions, maintenance intervals and correct use, stated in this manual. The effective service life can vary according to frequency and intensity of use.

2 Safety

2.1 Safety information



WARNING!

Risk of injury or damage

- Do not use this product or any available optional equipment without first completely reading and understanding these instructions and any additional instructional material such as user manuals, service manuals or instruction sheets supplied with this product or optional equipment.
- If you are unable to understand the warnings, cautions or instructions, please contact a healthcare professional, Invacare provider or qualified technician before attempting to use this product.



WARNING!

Risk of injury

- Do not stand on the product.
- Do not use as a climbing aid.
- Do not use outdoors.



WARNING!

Risk of injury

- Do not use if defective.
- In the event of a malfunction, contact your provider immediately.
- Do not make any unauthorized changes or alterations to the product.
- Only use accessories intended for this product.



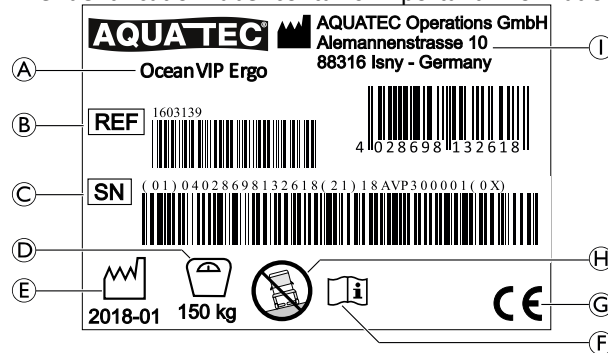
IMPORTANT!

The information contained in this document is subject to change without notice.

2.2 Labels and symbols on the product

Identification label

The identification label contains important information:



Ⓐ	Product designation
Ⓑ	Reference number
Ⓒ	Serial number
Ⓓ	Maximum user weight
Ⓔ	Date of manufacture
Ⓕ	Read user manual
Ⓖ	Conformity mark
Ⓗ	Note (use only on flat surfaces)
Ⓘ	Manufacturer address




The identification label is attached to the inside of the left side part.

Labels on the product

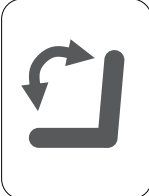
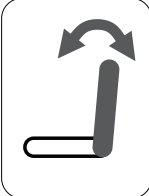
The following label is attached to the backside of the headrest:	
Label	Description
	<p>CAUTION!</p> <p>Risk of impact</p> <p>Your body can be hit by the backrest/headrest when pulling the activation handle.</p> <p>– Make sure there is enough space between you and the backrest/headrest when tilting the seat frame with backrest.</p>

The following label is attached to the handle of the backrest:

Label	Description
	<p>WARNING!</p> <p>Risk of tipping over</p> <ul style="list-style-type: none"> – Do not step on the footrest when getting into or out of the shower and toilet commode. – Push the footrests to the sides or fold up the foot plates before getting into or out of the shower and toilet commode. – Before sitting down or standing up, turn the castors so that the lock is pointing forwards. – Do not lean too far forwards when sitting in the shower and toilet commode.

The following labels are attached to the activation handles:

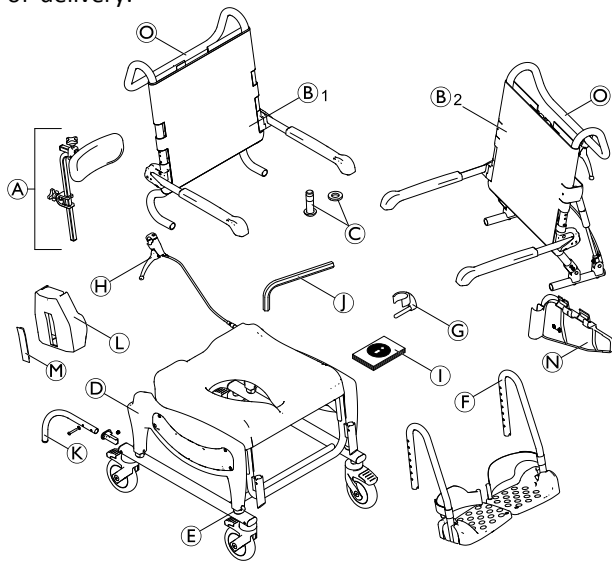
Label	Description
-------	-------------

	<p>Activation handle for seat tilting.</p>
	<p>Activation handle only for backrest tilting.</p>

3 Components

3.1 Overview

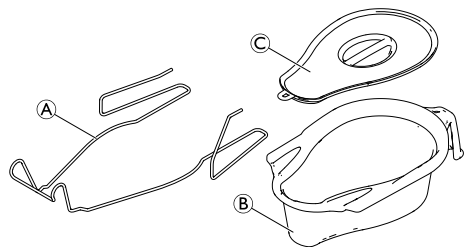
The following components are included within the scope of delivery:



(A)	Head support
(B ₁)	Ocean VIP Ergo: Backrest with backrest cover and armrests

(B ₂)	Ocean Dual VIP Ergo: Backrest with backrest cover, armrests and activation handle for backrest tilting
(C)	Screws (4x) and washers (4x) for backrest fixation
(D)	Seat frame with seat plate and side parts with base frame and castors
(E)	Clips (4x) for height adjustment
(F)	Footrests with heel straps (2x)
(G)	Clips (2x) for footrests
(H)	Activation handle for seat tilting
(I)	User manual
(J)	Allen key
(K)	Rear antitipper with screw, washer and mounting cap (2x) (Ocean Dual VIP Ergo only)
(L)	Brake cover (2x)
(M)	Brake lever cover (2x)
(N)	Clamping protection cover (2x)
(O)	Push bar

Accessory — Toilet pan holder with toilet pan



(A)	Toilet pan holder
(B)	Toilet pan
(C)	Lid

4 Setup

4.1 Safety information



WARNING!

- Check the parts for transport damage before commissioning and contact your provider if required.
- Ensure during assembly that the parts are positioned correctly with respect to one another.
- Self-locking screws/nuts or thread-locking adhesive are used for several connections. If these are loosened, they must be replaced by new self-locking screws/nuts or they must be secured using new thread-locking adhesive.

4.2 Assembling the shower and toilet commode

This section describes the assembly. Disassembly takes place in the reverse order.



The armrest height, footrest height, footrest angle, headrest, heel strap, tension of backrest cover and accessories must be adjusted to optimally fit the user.

4.2.1 Adjusting the seat height

This section describes the assembly. Disassembly takes place in the reverse order.

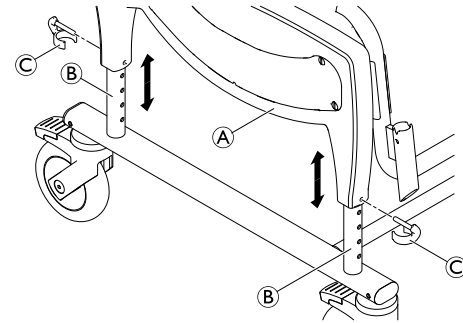


WARNING!

- Do not adjust the seat height of the commode when someone is sitting on it.



The seat height must be adjusted on both sides simultaneously.




1. Slightly raise the commode at the side part (A).
2. Remove the four clips (C) (two on each side).
3. Set the correct height by simultaneously moving the seat frame upwards or downwards on the four tubes (B) of the base frame.
4. Bring the clip mounts on the side part in line with a hole in the base frame.
5. Insert the four clips from the outside into the side part, until the clip edges enclose the base frame tube (B).



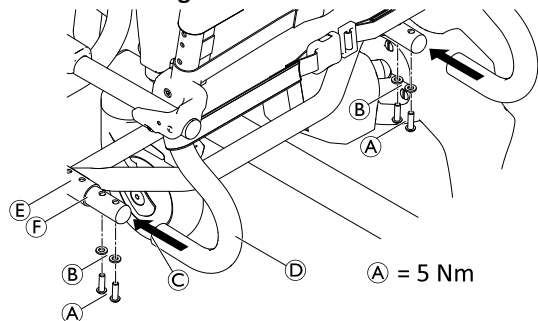
WARNING!

Risk of injury

- Make sure that all four clips are securely fastened.
- Make sure that all four tubes are set to the same height.

 The seat height can be adjusted to accommodate different situations of use e.g. transfer from a bed or a wheelchair or use above toilet etc.

4.2.2 Installing the backrest



1. Push down all four foot pedals of the castors to lock them.
2. Push the backrest **D** from behind onto the seat frame **E**, until the collar **C** touches the seat frame tube **F**.

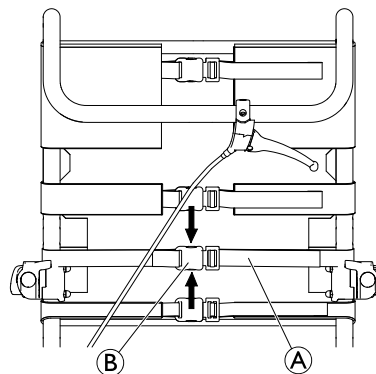
IMPORTANT!

- Firmly tighten the screws using the Allen key supplied.
- Check the screws regularly to ensure they are fastened securely.

3. Position a washer **B** on each screw **A** and secure the backrest on each side.
4. Tighten the screws with a torque of 5 Nm.

Adjusting the backrest cover

The tension of the backrest can be adjusted as needed.



WARNING!

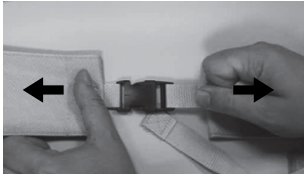
- Make sure that at least three belts are always passed around the backrest frame (on the outside) and their belt buckles are fastened.

Tightening:

1. Pull the belts **A** of the backrest cover tighter.

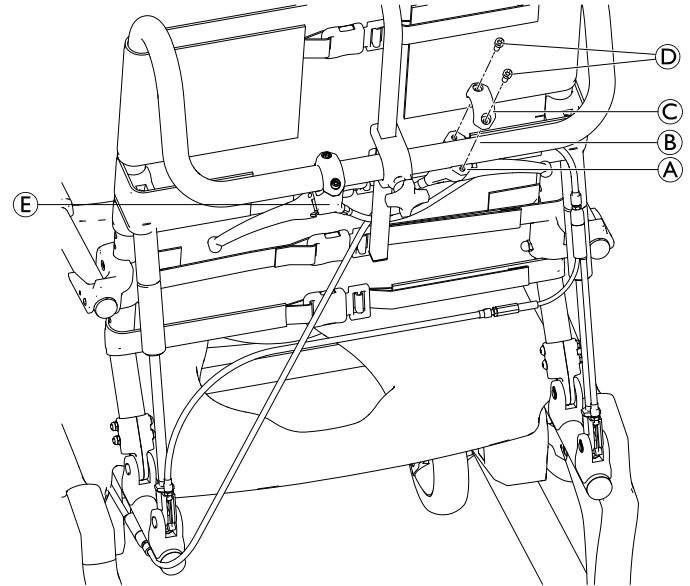
Loosening:

1. Open the buckles **B** by squeezing the retaining lugs together (arrows).
2. Push the belts back a little through the buckle.
3. Fasten the belt buckles.
4. Retighten the belts gently.

**WARNING!****Risk of injury due to damaged backrest buckles!**

Check for secure fastening of the backrest buckles each time the product is maintained or reconditioned.

- Check all buckle clips for secure fastening by closing the buckles and pulling on both ends.
- Replace the backrest/backrest buckles if a buckle opens under the applied force.


4.2.3 Installing the activation handle

1. Remove the clamping part © from the activation handle ① by loosening the screws ②.
2. Position the activation handle ① for seat tilting from the underside at the right side of the handle tube ③.



The handle should be slightly turned inwards to the backrest.

3. Install the activation handle to the handle tube using the clamping part © and screws ②.

-  For the Ocean Dual VIP Ergo, the activation handle **(E)** for backrest tilting is already installed to the left side of the handle tube. The position of the activation handle can be changed if required.

4.2.4 Installing/Removing the seat plate

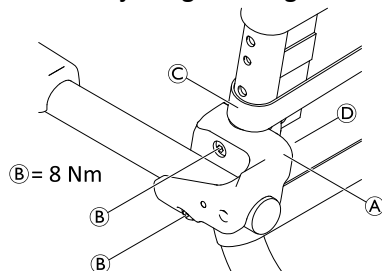
Installing:

1. Place the seat plate on the seat frame with the cutout to the front.
2. With your hand flat, press the seat plate down at the sides and then at the front and back until the seat plate snaps onto the seat frame.


Removing:

1. Pull the seat plate upwards at the rear.

4.2.5 Adjusting the height of the armrests




1. On the backrest cover, open the second lowest belt **(C)** and loosen the other belts.

-  The nuts are inserted loosely in the securing clamp and can fall out.

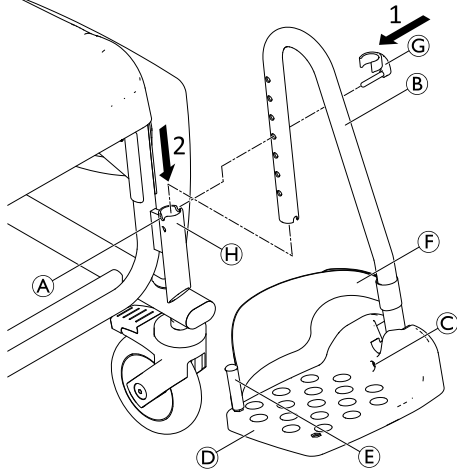
2. Unscrew the screws **(B)** of the armrest bracket **(A)** using the Allen key supplied.
3. Remove the securing clamp **(D)** with the nuts from the inside of the backrest frame.
4. Remove the backrest bracket **(A)** with the armrest and move it upwards.

-  The smaller hole serves to fix the securing clamp.


5. Insert the screws in the armrest bracket and guide them through the holes in the backrest frame.
6. If required, put the nuts back into the securing clamp.
7. Place the securing clamp on the backrest frame inserting the fixation pin into the smaller hole.
8. Turn the screws in the nuts and tighten.
9. Depending on the armrest height, pass the second lowest belt on the outside of the backrest frame or on the inside, fasten and tighten all belts.
10. The height adjustment procedure is the same for the right and left armrest.

-  To attach accessories, the second lowest belt can be opened and the backrest cover can be passed by the backrest frame on the inside.


4.2.6 Installing the footrests



1. Insert the pin of the clip ③ from the outside into the required hole on the footrest ②. Make sure the clip engages around the tube.
2. Push the footrest into the guide ④ at the front of the side part until the pin of clip ③ engages in the groove ①. The footrest can no longer be turned to the side.


 The assembly procedure is the same for the right and the left footrest.

Adjusting the height of the footrests

 The footrests can be shortened if required (refer to the service manual). Shortening the footrests must be performed by a qualified technician.

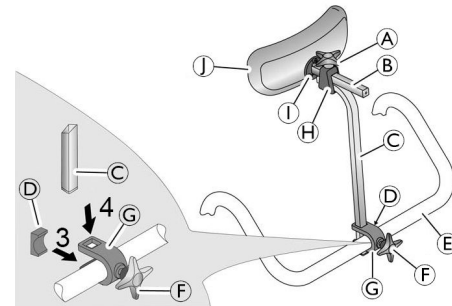
1. Slightly pull up the footrest ②.
2. Pull the clip ③ out of the hole in the footrest and re-insert it into the required hole. Pull out the footrest slightly further if necessary.
3. Push down the footrest until the groove ① catches the pin of the clip.
4. Set the other footrest to the required height as described.

Adjusting the inclination of the foot plates


 The inclination of the foot plates can be adjusted infinitely variably.

1. Loosen the Allen screw ③ on the foot plate using a size 4 Allen key.
2. Turn the foot plate ④ to the required position.
3. Re-tighten the Allen screw.

4.2.7 Installing the headrest




1. Use the star handle (F) to insert the screw a little into the bracket (G).
2. Push the bracket with the screw onto the handle of the backrest (E) from behind with the screw engaging in the hole of the backrest's handle.
3. Insert the plate (D) into the bracket from the front so that both lugs of the plate face down and up and the curved plate side touches the handle of the backrest.
4. Push the height adjustment tube (C) from above into the recesses of the bracket.
5. Use the star handle to tighten the screw until the height adjustment tube is fixed in place.
6. Push the pad (J) and the pad holder (B) into the holder (H) on the height adjustment tube.
7. Use the star handle (A) to tighten the upper screw until the pad holder is fixed in place.

 To adapt it to the user, the height adjustment tube can be fitted with the curve facing the front or the back.

The headrest pad (J) can be removed and replaced by other pad shapes (optional). To remove it, loosen the retaining bolts (I).

Adjusting the length of the headrest

 The headrest tubes (C) and (B) can be shortened if required (refer to the service manual). Shortening the headrest tube must be performed by a qualified technician.

4.2.8 Installing the rear antitippers



WARNING! **Risk of tipping**

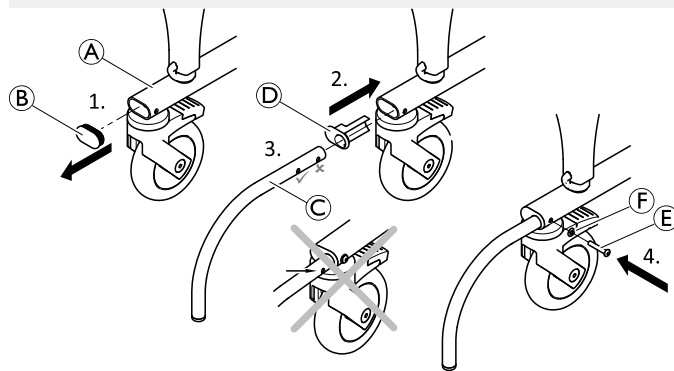
There is a risk of severe injury on the Ocean Dual VIP Ergo when the backrest is tilted. The complete chair can tilt backwards.

– Before using the Ocean Dual VIP Ergo, make sure that both rear antitippers are installed.



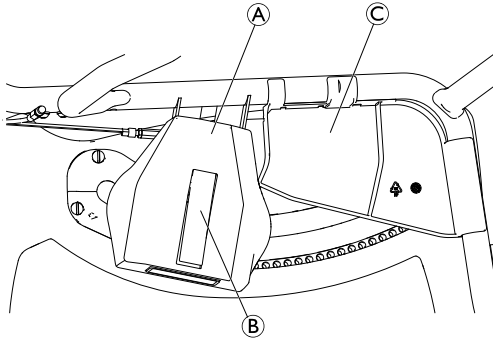
WARNING! **Risk of injury**

– Never stand on the antitippers.



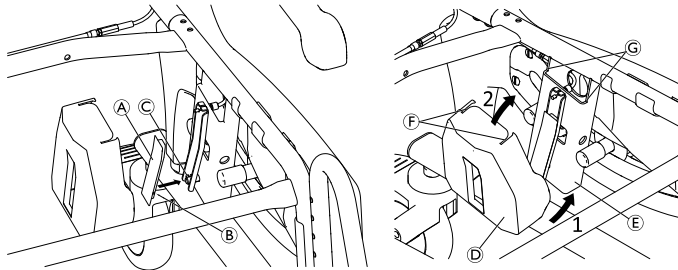
1. Remove the cover cap (B) from the base frame (A).
2. Attach the mounting cap (D) to the base frame.
3. Insert the antitipper tube (C).
4. Fix the antitipper through its second hole using the screw (E) with the washer (F).
5. Install the second antitipper on the other side.

4.2.9 Installing/removing the brake covers / clamping protection covers



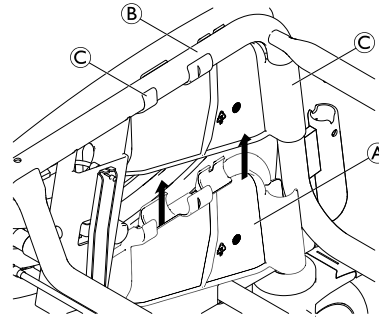
(A)	Brake cover
(B)	Brake lever cover
(C)	Clamping protection cover

Brake cover



1. Attach the brake lever cover (A) by pinning up the slot (B) to the small shaft (C).
2. Position the lower part of the brake cover (D) at an angle from below over the brake housing (E).
3. Fold the upper part of the brake cover to the brake housing so that the recesses (F) sit flush with the edges (G).
4. Install the second brake cover on the other side.

Clamping protecting cover



1. Install the clamping protecting cover (A) by snapping it onto the frame tubes (B). Make sure that all clips (C) are fully engaged.
2. Install the second clamping protecting cover on the other side.

5 Accessory (optional)

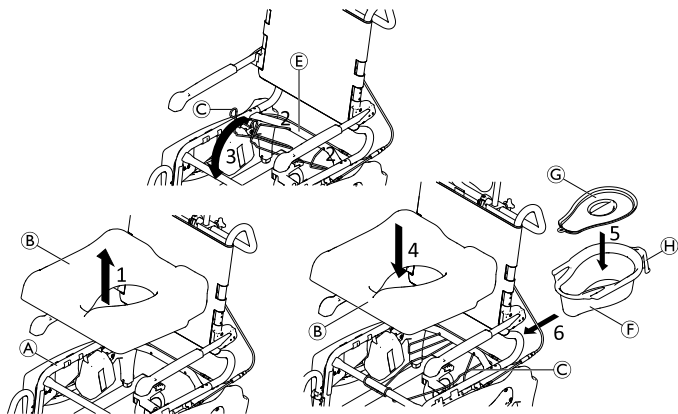


WARNING!

Risk of injury

– The assembly of accessories (optional) must be carried out according to the corresponding instructions.

5.1 Fitting/removing the toilet pan holder and toilet pan



i The toilet pan (F) can be inserted/removed with or without the lid (G).

1. Remove the seat (B) from the frame (A).
2. Position the ends of the toilet pan holder (C) into the holes of the rear cross tube (E).

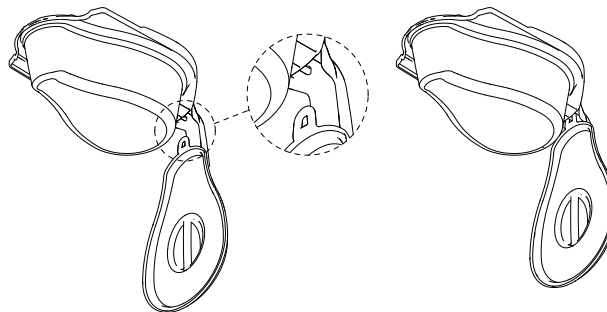
3. Engage the front part of the toilet pan holder with the front cross tube (D).
4. Re-fit the seat to the frame.
5. Place the lid on or remove it from the toilet pan.
6. Hold the toilet pan by its handle (H) and insert from the rear side between the toilet pan holder and the seat.



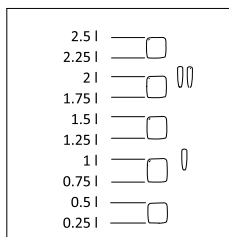
Slightly push down the toilet pan when inserting or removing.



The lid can be hung on the plastic hook at the underside of the toilet pan handle.



There is a fill level indicator on the inner wall of the toilet pan.



6 Usage

6.1 Safety information



WARNING!

- Only use the shower and toilet commode on a flat surface and indoors.
- Observe the specifications on the identification label. Do not overload the shower and toilet commode.
- Observe the safety labels on the backside of the headrest and on the handle of the backrest, *2.2 Labels and symbols on the product, page 6*.
- Do not place excessive weight on the shower and toilet commode.
- Always perform a visual inspection of the product for external damage before each use.



WARNING!

Risk of slipping and rolling

- Before use, make sure that the seat is securely fastened to the seat frame
- Lock all castors with levers using the foot levers before sitting down on the shower and toilet commode or standing up from it, as well as in the parking position.



WARNING!

Risk of tipping

- Swivel the footrests to the side or fold up the foot plates before sitting down or standing up.
- Before sitting down or standing up, turn the front castors so that the lock is pointing forwards.
- Never stand on the footrests.
- Do not lean excessively forwards.
- Only push the seated user on the commode when the seat frame and backrest are set in an upright position.
- Only transfer the user from or to the commode when the seat frame and backrest are set in an upright position.
- Never remove the pneumatic springs (Ocean Dual VIP Ergo only).



WARNING!

Risk of injury!

- Before using the Variable Soft Seat (optional accessory), the lateral covers (part-no. AP1605002) have to be installed.



WARNING!

Risk of tipping backwards!

- The Ocean Dual VIP Ergo must only be used if the rear antitippers are installed.

**WARNING!****Risk of tipping**

- The shower and toilet commode must only be moved by using the push bar.

**CAUTION!****Risk of burning your skin**

The product components can heat up when exposed to external sources of heat.

- Consider heated up surfaces when using the shower and toilet commode in the sauna or when it is exposed to hot water.
- Do not expose the product to direct sunlight before use.

**CAUTION!****Risk of catching due to tilting mechanism**

- When tilting the seat frame, make sure that the user's arms are placed on the armrests.
- Make sure that the clamping protection cover is installed to the frame, see chapter 4.2.9 *Installing/removing the brake covers / clamping protection covers, page 17.*

**IMPORTANT!****Risk of breaking the headrest**

- Only steer or push the shower and toilet commode using the handle on the backrest, never with the headrest.

**IMPORTANT!****Risk of damage to the product**

- Do not lift the shower and toilet commode using the footrests, armrests or any accessories.



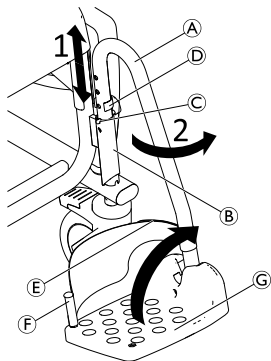
For users with high risk of standing on the footrests (e.g. dementia), front antitippers (part-no. AP1603992) are available as accessories to prevent the shower and toilet commode from tipping forward.

6.2 Swiveling the armrests

**CAUTION!****Risk of getting fingers caught in the folding mechanism**

- Do not insert fingers in the articulated joint when folding the armrests up or down.
- Do not insert fingers between the armrest and the backrest when folding back the armrests.
- Make sure that no parts get caught in the joints.

6.3 Swivelling the footrests



Entry position/exit position:

1. Slightly pull up the footrest (A) in the guide (B) until the pin of clip (D) no longer engages in the groove (C).
2. Swivel the footrest to the side.

Driving position:



CAUTION!

Risk of accident due to loose footrest

– Fix footrests in the driving position.

1. Turn the footrest (A) inwards.
2. Push the footrest downward, until the pin of clip (D) engages in the groove (C).



Alternatively, the foot plates (G) can be swivelled upwards to enter/exit the shower and toilet commode.

Removing/fitting the heel strap

1. Open the hook and loop strip (E) on the heel strap.
2. Remove the screw (F) from the underside of the foot plate.
3. Remove the heel strap from the flexible plastic pin.



To attach the strap, carry out the same procedure in the reverse order.



When installing ensure that the hook and loop strip of the heel strap is facing backwards.

6.4 Tilting the seat frame with backrest



IMPORTANT!

– Never reach into the area between the seat frame with backrest and the front tubular frame between the side parts when tilting.

Tilting backwards/forwards

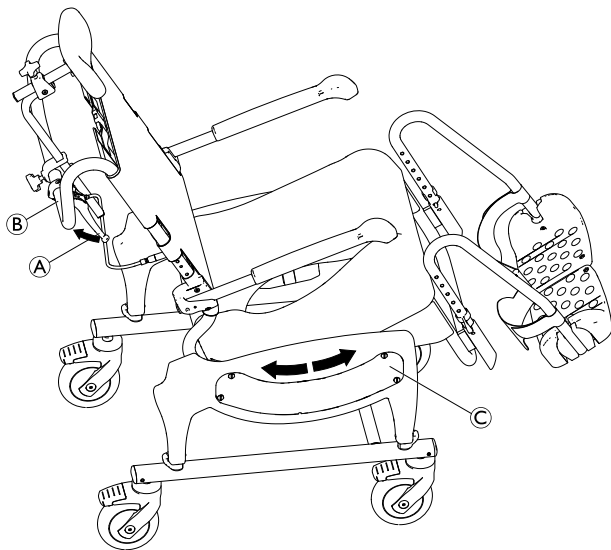


The seat frame can be tilted approx. 40° backwards together with the backrest.



If armrest locks (optional accessory) are used and the armrests are mounted in the lowest possible position, the seat cannot be tilted completely backwards. The maximum inclination is 35°.

i For the two lowest seat heights, the complete adjustment range of the footrest can not be used. Before use, check that the footrests do not touch the floor when tilting the seat forwards. If necessary re-adjust the seat height or the footrest height accordingly.



CAUTION!

Risk of crushing

Your fingers or hands can get caught and squeezed by the tilting mechanism.

- Before every use, make sure that the side part covers © of the tilting mechanism are correctly mounted.

1. Push down all four foot pedals for the castors to lock them.
2. Hold the shower chair at its push bar (B).
3. Pull and hold the activation handle (A).
4. Set the required inclination by pushing down or pulling up the handle (B).
5. Release the activation handle and let the pins of the tilting mechanism engage in the nearest holes. The seat frame is set at the currently set inclination.

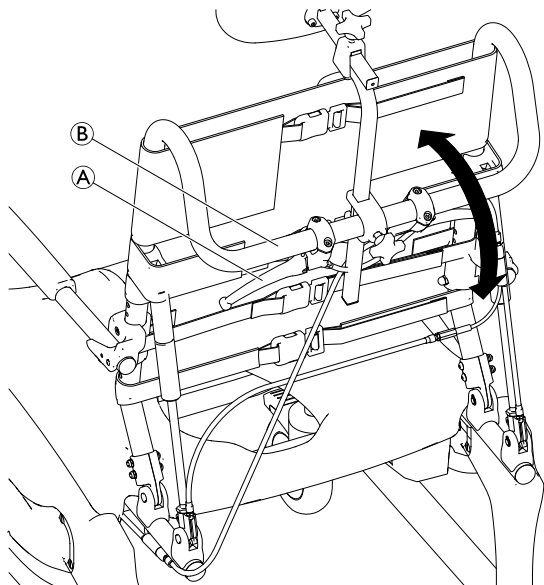
6.5 Tilting the backrest (Ocean Dual VIP Ergo only)



CAUTION!

Risk of getting fingers caught between armrest bracket and side part

- Never reach into the area between the armrest bracket and the side part when tilting backwards the seat frame or when lowering the backrest.
- When tilting the seat frame or the backrest make sure that the user's arms are placed on the armrests or folded in front of the body.



1. Push down all four foot pedals for the castors to lock them.
2. Hold the shower chair at its push bar **B**.
3. Pull and hold the activation handle **A**.

i The activation handle is equipped with a locking device. For activating the handle, the locking device has to be pulled in advance.

4. Tilt the backrest to the required position.
5. Release the activation handle to fix the backrest in the current position.

i Increased force is needed for tilting backwards without seated user. Automatic tilting upwards without seated user when activation handle is pulled.

6.6 Engaging/disengaging the castor locks

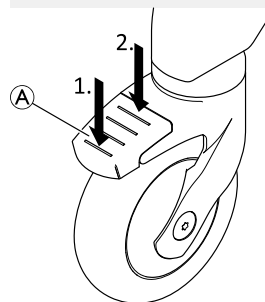


CAUTION!

Risk of trapping/squeezing

All castor locks are foot-operated.

– Do not operate the castor locks by hand.



1. To lock the castor locks step on the rear end of the pedal **A** until it engages.
2. To unlock the castor locks step on the front end of the pedal until it disengages.



Castor with blue lever (option) is used to engage the direction lock for easier straight movement.

7 Transport

7.1 Safety information



The product can be dismantled for transport into the parts of the scope of delivery, see chapter 3 *Components, page 9*.

1. Disassemble the product: Refer to chapter 4 *Setup, page 11* by following the assembly steps in reverse order.



IMPORTANT!

Risk of damage to the product

- Transport the product in a dry area.
- Do not expose the product to direct sunlight.
- Refer to the storage and shipping conditions in chapter 11.3 *Environmental parameters, page 32*.



IMPORTANT!

- Self-locking screws/nuts or thread-locking adhesive are used for several connections. If these are loosened, they must be replaced by new self-locking screws/nuts or they must be secured using new thread-locking adhesive.

8 Maintenance

8.1 Maintenance and inspection

The product is maintenance-free, provided the cleaning and safety instructions outlined below are adhered to.

To ensure good performance and safety the following checks should regularly be carried out:

- Check the product and accessories regularly for damage. Do not use the product if defective.
- Check tilting function of the seat frame and backrest (Ocean Dual VIP Ergo). Easy tilting and secure locking of the position is mandatory.
- In case of damage or malfunction it is recommended to contact the provider.
- Ensure that the product is securely assembled incl. all protection covers and that screws are properly tightened.



WARNING!

Risk of injury and damage

If the product is improperly adjusted it can cause accidents and severe injuries.

- The product must be repaired by a qualified technician.
- Damaged parts have to be replaced by a qualified technician.
- Only use original Invacare spare parts.

8.2 Cleaning and disinfection

The product can be cleaned and disinfected using commercially available agents.



IMPORTANT!

In the sensitive area of the bathroom and toilet, hygiene is particularly important.

- Keep the product clean at all times and wipe it down regularly.
- Disinfect the product regularly.

1. Disinfect the product by wiping down all generally accessible surfaces with disinfectant (after disassembling the product, if possible).



IMPORTANT!

All cleaning agents and disinfectants used must be effective, compatible with one another and must protect the materials they are used to clean. For further information on decontamination in Healthcare Environments, please refer to 'The National Institute for Clinical Excellence' guidelines on Infection Control www.nice.org.uk/CG139 and your local infection control policy.

- Clean by hand or in a washing machine or autoclave.
- Clean without scouring agent.

Cleaning in a domestic environment

1. Remove any accessories fitted (only accessories which do not require tools).
2. Pull the footrests out of the guides.
3. Remove the seat plate and the backrest cover.

4. Remove the brake covers and clamping protection covers, see chapter 4.2.9 *Installing/removing the brake covers / clamping protection covers*, page 17.
5. Wipe down the individual parts using a cloth or brush and commercially available cleaning agents and disinfectants.
6. Rinse the parts with warm water.
7. Dry the parts with a cloth.
8. Re-assemble the product, see chapter 4 Setup.

Cleaning in a clinical environment



In addition to cleaning as described above we recommend cleaning the product prior to the use by another patient, after ending of the period of use or on a regular basis (depending on which occurs first) at

- 90°C for 1 minute
- 85°C for 3 minutes
- 80°C for 10 minutes

in the autoclave.



CAUTION!

Risk of burning your skin

- Allow the product to cool after cleaning in the washing machine or autoclave.

Cleaning the backrest cover (optional)

1. Remove the backrest cover.
2. Machine-wash the cover at max. 60 °C using a mild detergent.



IMPORTANT!

Risk of damage

- Washing at higher temperatures can cause damage.
- Do not tumble dry.



IMPORTANT!

Excessive cleaning can damage textile.

- We recommend replacing the backrest cover every two years for hygiene reasons.

Cleaning the toilet pan (optional)

The toilet pan can be cleaned in an autoclave at following temperatures/times:

- 90 °C for 1 minute
- 85 °C for 3 minutes
- 80 °C for 10 minutes.

9 After Use

9.1 Storage



WARNING!

Risk of damage to the product

- Store the product in a dry area.
- Do not store the product near heat sources.
- Do not expose the product to direct sunlight.
- Refer to the storage and shipping conditions in chapter *11.3 Environmental parameters, page 32*.



After long time storage, a higher force may be needed to trigger the gas spring (Ocean Dual VIP Ergo only).

9.2 Re-use

The product is suitable for repeated use. The number of times it can be used depends on how often and in which way the product is used. Before re-use, clean and disinfect the product thoroughly (→ *8.2 Cleaning and disinfection, page 26*) and check for damage and correct assembly.

9.3 Disposal

Be environmentally responsible and recycle the different materials and components of this product separately through your recycling facility at its end of life.

The disposal and recycling of used products and packaging must comply with the laws and regulations for waste

handling in each country. Contact your local waste management company for information.

10 Troubleshooting

10.1 Identifying and repairing faults

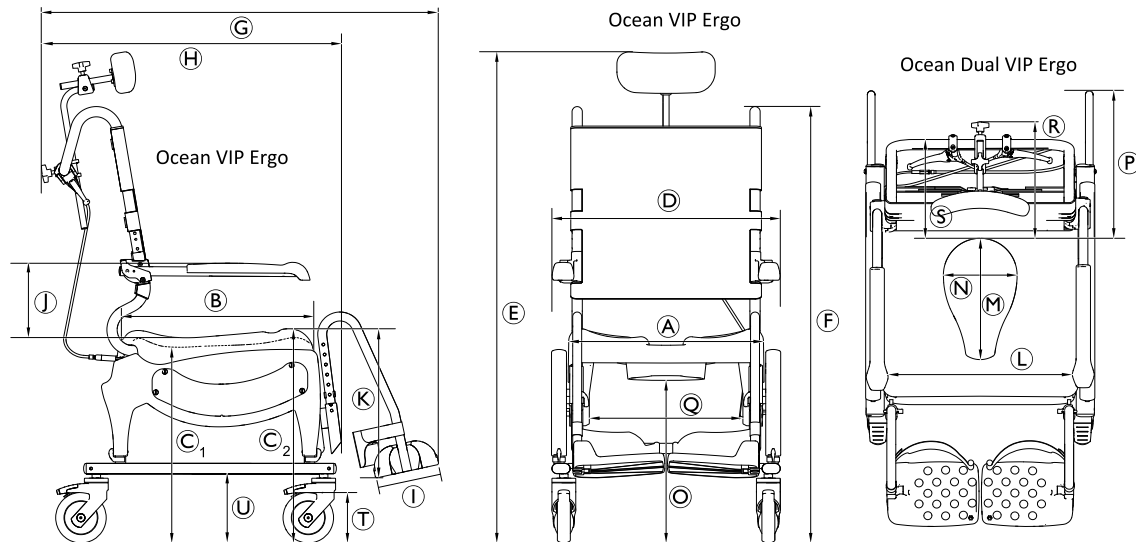


The following table provides information on malfunctions and their possible causes. If you cannot correct the malfunction using the solutions named, contact your provider directly.

Malfunction	Possible cause	Solution
Difficulty in adjusting the seat height	Dirt between the seat frame and the side part	Disassemble the base frame and clean base frame and side part thoroughly
The castors are difficult or impossible to turn	Dirt between the fork and the rim	Thoroughly clean the castors
Difficulty pushing the footrests to the side	Deposits in the guides	Thoroughly clean the footrests and the guides
The seat frame with backrest cannot be tilted	Deposits in tilting mechanism	Remove brake cover and brake lever cover and thoroughly clean the tilting mechanism
	Bowden cable not correctly adjusted	The Bowden cable must be adjusted by a qualified technician
Higher force needed to trigger the gas spring (Dual VIP)	Long-time storage	Repeat the tilting of the seat frame several times
The backrest cannot be tilted (Dual VIP)	Bowden cable not correctly adjusted	The Bowden cable must be adjusted by a qualified technician
Rattling noise during tilting of the seat frame with backrest.	Bowden cable not correctly adjusted	The Bowden cable must be adjusted by a qualified technician
	The activation handle is not pulled completely	Pull the activation handle completely.

11 Technical Data

11.1 Dimensions and weight



	Ocean VIP Ergo	Ocean VIP Ergo XL	Ocean Dual VIP Ergo
(A)		480 mm	
(B)		480 mm	
(C ₁)		475 mm – 600 mm	
(C ₂)		533 mm – 658 mm	
(D)	565 mm	645 mm	565 mm

	Ocean VIP Ergo	Ocean VIP Ergo XL	Ocean Dual VIP Ergo
Ⓔ	ca. 1052 mm – 1340 mm (in neutral seat position)		
Ⓕ	ca. 1052 mm – 1202 mm (in neutral seat position)		
Ⓖ	ca. 1000 mm		
Ⓗ	ca. 742 mm		
Ⓛ	160 mm		
Ⓝ	213 mm / 251 mm / 289 mm		
Ⓚ	319 mm – 469 mm (in steps of 25 mm)		
Ⓛ	455 mm	535 mm	455 mm
Ⓜ	350 mm (top) / 300 mm (bottom)		
Ⓝ	250 mm (top) / 182 mm (bottom)		
Ⓞ	400 mm – 525 mm		
Ⓟ	—	—	380 mm
Ⓠ	385 mm		
Ⓡ	295 mm	—	
Ⓢ	230 mm	—	
Ⓣ	Æ 5" (127 mm)		
Ⓤ	172 mm		
Angle of inclination seat	-5° – 40°		
Angle of inclination backrest	—	—	5° – 35°
Turning diameter	2200 mm		

	Ocean VIP Ergo	Ocean VIP Ergo XL	Ocean Dual VIP Ergo
Reversing width	1140 mm		1290 mm
Product weight	23.5 kg	23.5 kg	28.3 kg
Maximum user weight	150 kg		

11.2 Materials

Frame	Stainless steel, powder-coated
Seat plate	Polypropylene, fiber-glass reinforced
Backrest cover	Nylon, PVC-coated
Footrests	Polypropylene, fiber-glass reinforced
Armrest pad	Polypropylene
Castors	Plastics and stainless steel

Relative humidity	30 % - 75 %, non-condensing
Atmospheric pressure	795 - 1060 hPa

All product components are corrosion resistant and do not contain natural rubber latex.

11.3 Environmental parameters

Operating conditions	
Ambient temperature	10 - 65 °C
Relative humidity	15 % - 93 %, non-condensing
Atmospheric pressure	795 - 1060 hPa
Storage and shipping conditions	
Ambient temperature	0 - 65 °C

Inhaltsverzeichnis

Diese Gebrauchsanweisung MUSS dem Benutzer des Produkts ausgehändigt werden. VOR der Verwendung dieses Produkts MUSS die Gebrauchsanweisung gelesen werden. Bewahren Sie sie auf, um später darin nachschlagen zu können.

1 Allgemein	34
1.1 Einleitung	34
1.2 Symbole in diesem Handbuch	34
1.3 Garantieinformationen	35
1.4 Konformität	35
1.4.1 Produktspezifische Normen	35
1.5 Verwendungszweck	35
1.6 Nutzungsdauer	36
2 Sicherheit	37
2.1 Sicherheitsinformationen	37
2.2 Schilder und Symbole auf dem Produkt	37
3 Aufbau und Funktion	40
3.1 Übersicht	40
4 Inbetriebnahme	42
4.1 Sicherheitsinformationen	42
4.2 Montage des Dusch- und Toilettenrollstuhls	42
4.2.1 Einstellen der Sitzhöhe	42
4.2.2 Anbringen der Rückenlehne	43
4.2.3 Montieren des Aktivierungsgriiffs	44
4.2.4 Anbringen/Abnehmen der Sitzplatte	45
4.2.5 Einstellen der Armlehnenhöhe	45
4.2.6 Anbringen der Fußauflagen	46
4.2.7 Anbringen der Kopfstütze	47
4.2.8 Montage des Kippschutzes an der Rückseite	47
4.2.9 Anbringen/Abnehmen der Abdeckungen von Bremsen und Klemmschutz	48

5 Zubehör (optional)	50
5.1 Befestigen/Entfernen des Toilettentopfhalters und des Toilettentopfs	50
6 Verwenden	52
6.1 Sicherheitsinformationen	52
6.2 Drehen der Armlehnen	53
6.3 Drehen der Fußauflagen	54
6.4 Sitzwinkelverstellung des Sitzrahmens mit der Rückenlehne	54
6.5 Neigen der Rückenlehne (nur Ocean Dual VIP Ergo)	56
6.6 Feststellen/Lösen der Schwenkradverriegelungen	57
7 Transport	58
7.1 Sicherheitsinformationen	58
8 Instandhaltung	59
8.1 Wartung und Inspektion	59
8.2 Reinigung und Desinfektion	59
9 Nach dem Gebrauch	62
9.1 Aufbewahrung	62
9.2 Wiedereinsatz	62
9.3 Entsorgung	62
10 Problembehandlung	63
10.1 Erkennen und Beheben von Mängeln	63
11 Technische Daten	65
11.1 Abmessungen und Gewicht	65
11.2 Materialien	67
11.3 Umgebungsbedingungen	67

1 Allgemein

1.1 Einleitung

Diese Gebrauchsanweisung enthält wichtige Informationen zur Handhabung des Produkts. Lesen Sie die Gebrauchsanweisung sorgfältig und befolgen Sie die Sicherheitsanweisungen, damit eine sichere Verwendung des Produkts gewährleistet ist.

Beachten Sie, dass diese Gebrauchsanweisung für Ihr Produkt möglicherweise irrelevante Abschnitte enthält, da sie sämtliche zum Zeitpunkt der Drucklegung verfügbaren Modelle abdeckt. Sofern nicht anders angegeben, bezieht sich jeder Abschnitt in dieser Gebrauchsanweisung auf alle Modelle des Produkts.

Die für Ihr Land erhältlichen Modelle und Ausstattungsvarianten sind über die länderspezifischen Preislisten einsehbar.

Invacare behält sich das Recht vor, Produktspezifikationen ohne vorherige Ankündigung abzuändern.

Vergewissern Sie sich vor dem Lesen dieser Gebrauchsanweisung, dass Sie die aktuelle Fassung haben. Die jeweils aktuelle Fassung können Sie als PDF-Datei von der Invacare Webseite herunterladen.

Wenn die gedruckte Fassung der Gebrauchsanweisung für Sie aufgrund der Schriftgröße schwer zu lesen ist, können Sie die entsprechende PDF-Version von der Invacare Website herunterladen. Sie können das PDF-Dokument dann auf dem Bildschirm so anzeigen, dass die Schriftgröße für Sie angenehmer ist.

Weitere Informationen zum Produkt, z. B. Informationen zu Produktsicherheitshinweisen oder zu einem Produktrückruf, erhalten Sie von Ihrem Invacare-Vertreter. Die entsprechenden Internetadressen finden Sie am Ende dieses Dokuments.

1.2 Symbole in diesem Handbuch

Warnungen sind in diesem Dokument mit Symbolen gekennzeichnet. Die Warnsymbole sind neben einer Überschrift abgebildet, die auf die Gefährlichkeit hinweist.



WARNUNG

Weist auf eine gefährliche Situation hin, die bei Nichtbeachtung zu schweren Verletzungen oder zum Tod führen kann.



VORSICHT

Weist auf eine gefährliche Situation hin, die bei Nichtbeachtung zu leichten Verletzungen führen kann.



WICHTIG

Weist auf eine gefährliche Situation hin, die bei Nichtbeachtung der Hinweise zu Sachschäden führen kann.



Tipps und Empfehlungen

Enthalten nützliche Tipps, Empfehlungen und Anleitungen für eine effiziente und problemlose Verwendung.



Dieses Produkt entspricht der Richtlinie 93/42/EWG über Medizinprodukte. Der Markteinführungszeitpunkt für dieses Produkt ist in der CE-Konformitätserklärung angegeben.



Hersteller des Produkts

1.3 Garantieinformationen

Wir gewähren für das Produkt eine Herstellergarantie gemäß unseren Allgemeinen Geschäftsbedingungen für das entsprechende Land.

Garantieansprüche können nur über den Händler geltend gemacht werden, von dem das Produkt bezogen wurde.

1.4 Konformität

Qualität ist für das Unternehmen entscheidend. Alle Abläufe sind nach den Anforderungen von ISO 13485 ausgerichtet.

Dieses Produkt trägt die CE-Kennzeichnung in Übereinstimmung mit der Richtlinie 93/42/EWG über Medizinprodukte, Klasse I.

Wir setzen uns kontinuierlich dafür ein, die Umwelt durch unsere Unternehmenstätigkeit sowohl direkt vor Ort als auch weltweit möglichst wenig zu beeinträchtigen.

Wir verwenden ausschließlich REACH-konforme Materialien und Bauteile.

1.4.1 Produktspezifische Normen

Dieses Produkt wurde getestet und entspricht der Norm ISO 17966 (Hilfsmittel für die Körperhygiene zur

1639504-C

Unterstützung der Anwender) und allen einschlägigen Normen. Dies schließt Tests auf Entflammbarkeit ein. Fortschreitender Schwelbrand und Flammen sind nicht aufgetreten.

Weitere Informationen zu lokalen Normen und Vorschriften erhalten Sie bei Ihrem Invacare-Vertreter vor Ort. Die entsprechenden Adressen finden Sie am Ende dieses Dokuments.

1.5 Verwendungszweck

Der Dusch- und Toilettenrollstuhl ist ausschließlich als Hilfsmittel beim Duschen oder Baden, für den Toilettengang, bei der persönlichen Hygiene (z. B. vor dem Waschbecken) oder für das Umsetzen eines Patienten in Innenräumen vorgesehen. Er eignet sich für jugendliche und erwachsene Patienten (Nutzung mit oder ohne Unterstützung von Pflegepersonal) mit folgenden Beeinträchtigungen:

- Schwierigkeiten beim Stehen und Halten des Gleichgewichts
- Beinschwäche oder Behinderungen der unteren Gliedmaßen
- Erkrankungen, die den Gleichgewichtssinn beeinträchtigen

Das Produkt ist für den Einsatz in einer Pflegeeinrichtung bzw. den häuslichen Gebrauch vorgesehen. Eine Verwendung zu anderen Zwecken ist nicht zulässig.



WARNUNG!

Verletzungsgefahr

- Das Produkt darf nicht als Hilfsmittel zum Umsetzen aus einer oder in eine Badewanne, als Auf- oder Absteighilfe oder als Unterstützung für ähnliche Zwecke verwendet werden.
- Das Produkt darf nicht im Freien verwendet werden.

Als Toilettensitz kann das Produkt über einer regulären Toilette eingesetzt werden. Bei Verwendung des Toilettentopfs (optional) ist auch ein von einer Toilette unabhängiger Einsatz möglich.

Verwendungstemperatur: 10–65 °C

1.6 Nutzungsdauer

Die Nutzungsdauer dieses Produkts beträgt fünf Jahre, vorausgesetzt, es wird täglich und in Übereinstimmung mit den in dieser Gebrauchsanweisung aufgeführten Sicherheitshinweisen, Wartungsintervallen und korrekten Verfahrensweisen verwendet. Die tatsächliche Haltbarkeitsdauer kann abhängig von Häufigkeit und Intensität der Verwendung variieren.

2 Sicherheit

2.1 Sicherheitsinformationen



WARNUNG!

Gefahr von Verletzungen oder Sachschäden

- Verwenden Sie dieses Produkt oder optionales Zubehör erst, nachdem Sie diese Anweisungen und mögliches zusätzliches Anweisungsmaterial, wie zum Produkt oder optionalen Zubehör gehörende Gebrauchsanweisungen, Servicehandbücher oder Merkblätter, vollständig gelesen und verstanden haben.
- Falls die Warnungen, Sicherheitshinweise und Anweisungen unverständlich sind, wenden Sie sich an einen Arzt, Invacare-Anbieter oder qualifizierten Techniker, bevor Sie dieses Produkt verwenden.



WARNUNG!

Verletzungsgefahr

- Nicht auf das Produkt stellen.
- Nicht als Steighilfe verwenden.
- Nicht in Außenbereichen verwenden.



WARNUNG!

Verletzungsgefahr

- Verwenden Sie das Produkt nicht, wenn es defekt ist.
- Wenden Sie sich bei einer Fehlfunktion sofort an Ihren Anbieter.
- Keine unbefugten Veränderungen am Produkt vornehmen.
- Nur Zubehör verwenden, das für dieses Produkt bestimmt ist.



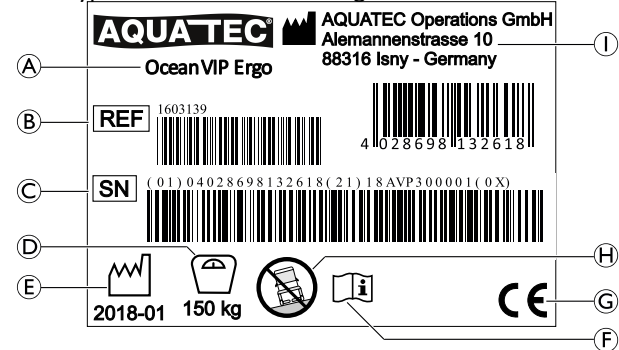
WICHTIG!

Die in diesem Handbuch enthaltenen Informationen können jederzeit ohne vorherige Ankündigung geändert werden.

2.2 Schilder und Symbole auf dem Produkt

Typenschild

Das Typenschild enthält wichtige Informationen:



Ⓐ	Produktbezeichnung
Ⓑ	Referenznummer
Ⓒ	Seriennummer
Ⓓ	Maximales Benutzergewicht
Ⓔ	Herstellungsdatum
Ⓕ	Gebrauchsanweisung lesen
Ⓖ	Konformitätszeichen
Ⓗ	Hinweis (Verwendung nur auf ebener Fläche)
Ⓘ	Adresse des Herstellers




Das Typenschild ist an der Innenseite des linken Seitenteils angebracht.

Aufkleber am Produkt

Folgender Aufkleber ist hinten an der Kopfstütze angebracht:

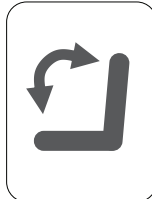
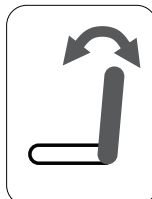
Aufkleber	Beschreibung
	<p>VORSICHT!</p> <p>Stoßgefahr</p> <p>Beim Ziehen des Aktivierungsgriffs besteht die Gefahr, sich den Körper an der Rückenlehne bzw. der Kopfstütze zu stoßen.</p> <p>– Achten Sie auf genügend Abstand zwischen sich und der Rückenlehne bzw. der Kopfstütze, wenn Sie den Sitzrahmen mitsamt der Rückenlehne neigen.</p>

Der folgende Aufkleber ist am Griff der Rückenlehne angebracht:

Aufkleber	Beschreibung
	<p>WARNUNG! Kippgefahr</p> <ul style="list-style-type: none"> – Beim Umsetzen in oder aus dem Dusch- und Toilettenrollstuhl nicht auf die Fußauflage treten. – Vor dem Umsetzen in oder aus dem Dusch- und Toilettenrollstuhl die Fußauflagen zur Seite schieben oder die Fußplatten nach oben klappen. – Vor dem Hinsetzen oder Aufstehen die Schwenkräder so drehen, dass die Sperrvorrichtung nach vorne weist. – Beim Sitzen im Dusch- und Toilettenrollstuhl nicht zu weit nach vorne lehnen.

Folgende Aufkleber sind an den Aktivierungsgriffen angebracht:

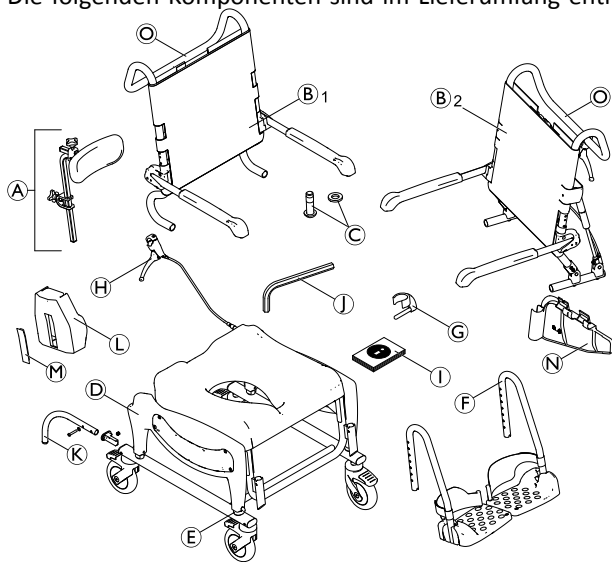
Aufkleber	Beschreibung
-----------	--------------

	<p>Aktivierungsgriff zum Neigen des Sitzes</p>
	<p>Aktivierungsgriff zum ausschließlichen Neigen der Rückenlehne</p>

3 Aufbau und Funktion

3.1 Übersicht

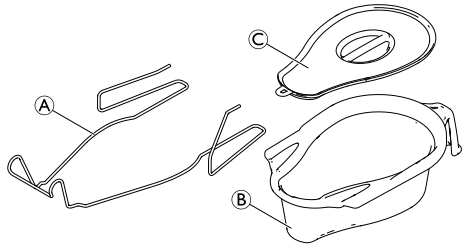
Die folgenden Komponenten sind im Lieferumfang enthalten:



(A)	Kopfstütze
(B ₁)	Ocean VIP Ergo: Rückenlehne mit Rückenlehnenbezug und Armlehnen

(B ₂)	Ocean Dual VIP Ergo: Rückenlehne mit Rückenlehnenbezug, Armlehnen und Aktivierungsgriff zum Neigen der Rückenlehne
(C)	Schrauben (4 x) und Unterlegscheiben (4 x) zur Befestigung der Rückenlehne
(D)	Sitzrahmen mit Sitzplatte und Seitenteile mit Grundrahmen und Schwenkrädern
(E)	Clips zur Höhenverstellung (4 x)
(F)	Fußauflagen mit Fersenbändern (2 x)
(G)	Clips für Fußauflagen (2 x)
(H)	Aktivierungsgriff zum Neigen des Sitzes
(I)	Gebrauchsanweisung
(J)	Inbusschlüssel
(K)	Kippschutz an der Rückseite mit Schraube, Unterlegscheibe und Montagekappe (2 x) (nur beim Ocean Dual VIP Ergo)
(L)	Bremsabdeckung (2 x)
(M)	Bremshebelabdeckung (2 x)
(N)	Klemmschutzabdeckung (2 x)
(O)	Schiebestange

Zubehörteile – Toilettentopfhalter mit Toilettentopf



A	Toilettentopfhalter
B	Toilettentopf
C	Deckel

4 Inbetriebnahme

4.1 Sicherheitsinformationen



WARNUNG!

- Überprüfen Sie die Teile vor Inbetriebnahme auf Transportschäden und wenden Sie sich im Bedarfsfall an Ihren Anbieter.
- Achten Sie bei der Montage darauf, dass die Teile korrekt aufeinander ausgerichtet sind.
- Bei diversen Verbindungen kommen selbstsichernde Schrauben/Muttern oder Schraubensicherungslack zum Einsatz. Wenn diese gelöst werden, müssen sie durch neue selbstsichernde Schrauben/Muttern ersetzt bzw. mit neuem Schraubensicherungslack gesichert werden.

4.2 Montage des Dusch- und Toilettenrollstuhls

In diesem Abschnitt wird die Montage beschrieben. Die Demontage erfolgt in umgekehrter Reihenfolge.



Die Höhe der Armlehne und der Fußauflage, der Winkel der Fußauflage, die Kopfstütze, das Fersenband, die Spannung des Rückenlehnenbezugs und die Zubehörteile müssen optimal für den jeweiligen Anwender eingestellt werden.

4.2.1 Einstellen der Sitzhöhe

In diesem Abschnitt wird die Montage beschrieben. Die Demontage erfolgt in umgekehrter Reihenfolge.

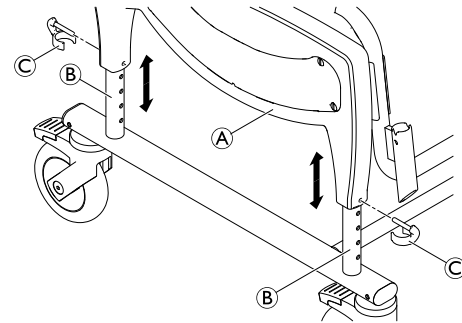


WARNUNG!

- Stellen Sie die Sitzhöhe nicht ein, während jemand auf dem Dusch- und Toilettenrollstuhl sitzt.



Die Sitzhöhe muss an beiden Seiten gleichzeitig eingestellt werden.



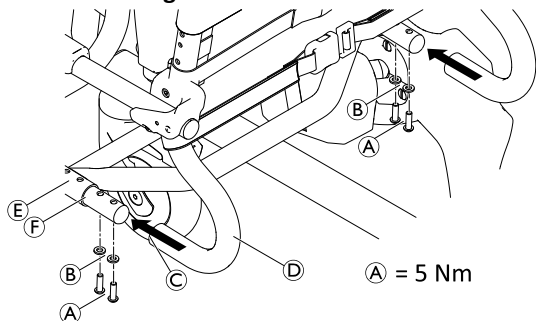
1. Heben Sie den Dusch- und Toilettenrollstuhl am Seitenteil (A) leicht an.
2. Entfernen Sie die vier Clips (C) (zwei an jeder Seite).
3. Stellen Sie die gewünschte Höhe ein, indem Sie den Sitzrahmen an den vier Rohren (B) des Grundrahmens gleichzeitig nach oben oder unten verschieben.
4. Richten Sie die Löcher zur Clipbefestigung am Seitenteil mit einem der Löcher im Grundrahmen aus.
5. Schieben Sie die vier Clips von außen in das Seitenteil ein, bis der Clip das Rohr des Grundrahmens (B) komplett umschließt.

**WARNUNG!****Verletzungsgefahr**

- Überprüfen Sie, dass alle vier Clips sicher angebracht sind.
- Die vier Rohre müssen auf die gleiche Höhe eingestellt sein.



Die Sitzhöhe kann je nach Bedarf verschieden eingestellt werden, um den Benutzer beispielsweise von einem Bett oder Rollstuhl aus umzusetzen oder den oben genannten Dusch- und Toilettenrollstuhl zu verwenden.

4.2.2 Anbringen der Rückenlehne

1. Bewegen Sie alle vier Fußhebel der Schwenkräder nach unten, um sie zu verriegeln.
2. Drücken Sie die Rückenlehne **D** von hinten auf den Sitzrahmen **E**, bis der Abschluss **C** das Sitzrahmenrohr **F** berührt.

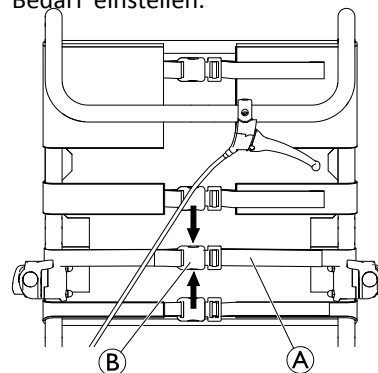
**WICHTIG!**

- Ziehen Sie die Schrauben mit dem im Lieferumfang enthaltenen Inbusschlüssel fest.
- Kontrollieren Sie regelmäßig, ob die Schrauben fest angezogen sind.

3. Setzen Sie eine Unterlegscheibe **B** auf jede Schraube **A** und arretieren Sie die Rückenlehne auf jeder Seite.
4. Ziehen Sie die Schrauben mit einem Drehmoment von 5 Nm fest.

Anpassen des Rückenlehnenbezugs

Die Spannung des Rückenlehnenbezugs lässt sich nach Bedarf einstellen.

**WARNUNG!**

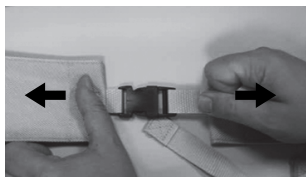
- Achten Sie darauf, dass stets mindestens drei Gurte (von außen) um den Rückenlehnenrahmen geführt werden und die Gurtverschlüsse fixiert sind.

Straffen:

1. Ziehen Sie die Gurte Ⓐ des Rückenlehnenbezugs straffer.

Lockern:

1. Öffnen Sie die Gurtverschlüsse Ⓑ, indem Sie die Haltelaschen zusammendrücken (Pfeile).
2. Schieben Sie die Gurte ein Stück durch den Gurtverschluss zurück.
3. Fixieren Sie die Gurtverschlüsse.
4. Ziehen Sie die Gurte vorsichtig wieder fest.



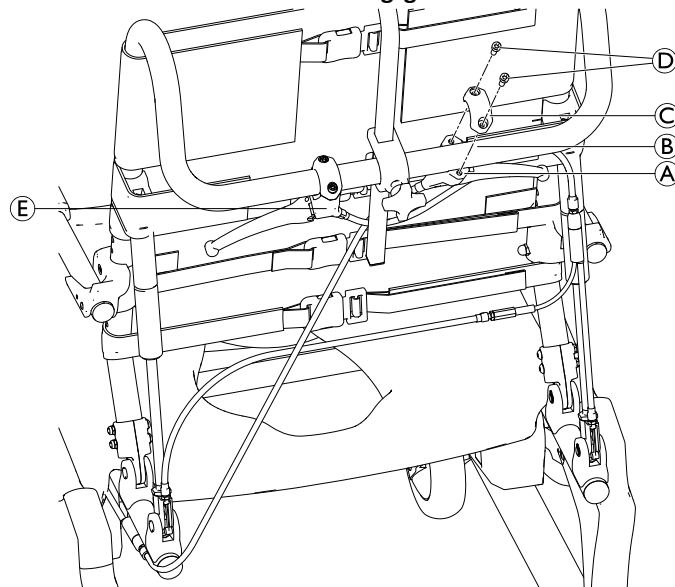
WARNUNG!

Verletzungsgefahr durch beschädigte Rückenlehnengurtverschlüsse!

Achten Sie bei jeder Überprüfung oder Wiederaufbereitung des Produkts auf den festen Sitz der Rückenlehnengurtverschlüsse.

- Kontrollieren Sie alle Gurtverschlüsse auf festen Sitz, indem Sie die Verschlüsse schließen und an beiden Enden ziehen.
- Ersetzen Sie die Rückenlehne bzw. die Gurtverschlüsse, wenn sich ein Gurtverschluss unter der angewandten Kraft öffnet.

4.2.3 Montieren des Aktivierungsgriffs




1. Lösen Sie an der Klemme Ⓒ am Aktivierungsgriff Ⓐ die Schrauben Ⓓ und nehmen Sie die Klemme ab.
2. Platzieren Sie den Aktivierungsgriff Ⓐ zum Neigen des Sitzes unter dem Griffrohr Ⓑ auf dessen rechter Seite.



Der Griff sollte leicht nach innen in Richtung der Rückenlehne zeigen.

3. Befestigen Sie den Aktivierungsgriff mit der Klemme Ⓒ und den Schrauben Ⓓ am Griffrohr.

-  Beim Ocean Dual VIP Ergo ist der Aktivierungsgriff **Ⓔ** zum Neigen der Rückenlehne bereits auf der linken Seite des Griffrohrs montiert. Die Position des Aktivierungsgriffs kann bei Bedarf geändert werden.

4.2.4 Anbringen/Abnehmen der Sitzplatte

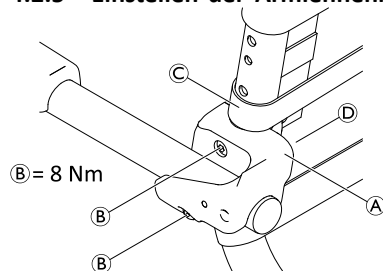
Anbringen:

1. Setzen Sie die Sitzplatte mit dem Ausschnitt nach vorne auf den Sitzrahmen.
2. Drücken Sie die Sitzplatte mit der flachen Hand zunächst an den Seiten, dann vorne und hinten nach unten, bis sie im Sitzrahmen einrastet.


Abnehmen:

1. Ziehen Sie die Sitzplatte an der Rückseite nach oben.


4.2.5 Einstellen der Armlehnenhöhe




1. Öffnen Sie am Rückenlehnenbezug den zweituntersten Gurt **Ⓒ** und lösen Sie dann die anderen Gurte.

-  Die Muttern sind lose in der Fixierklemme eingeführt und können herausfallen.

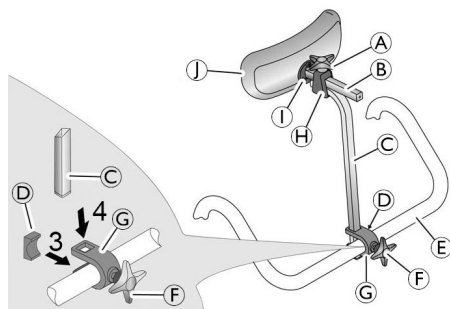
2. Lösen Sie die Schrauben **Ⓑ** der Armlehnenhalterung **Ⓐ** mithilfe des im Lieferumfang enthaltenen Inbusschlüssels.
3. Entfernen Sie die Fixierklemmen **Ⓓ** samt Muttern von der Innenseite des Rückenlehnenrahmens.
4. Entfernen Sie die Rückenlehnenhalterung **Ⓐ** mit der Armlehne und schieben Sie sie nach oben.

-  Das kleinere Loch dient zum Arretieren der Fixierklemme.


5. Setzen Sie die Schrauben in die Armlehnenhalterung ein und schieben Sie sie durch die Löcher im Rückenlehnenrahmen.
6. Setzen Sie die Muttern ggf. wieder in die Fixierklemme ein.
7. Platzieren Sie die Fixierklemme am Rückenlehnenrahmen und setzen Sie den Befestigungsstift in das kleinere Loch ein.
8. Ziehen Sie die Schrauben in den Muttern fest.
9. Je nach Höhe der Armlehne führen Sie den zweituntersten Gurt an der Außenseite des Rückenlehnenrahmens oder im Innern vorbei, ziehen Sie ihn fest und ziehen Sie dann alle Gurte fest.
10. Rechte und linke Armlehne werden auf dieselbe Weise verstellt.

-  Um Zubehör anzubringen, lässt sich der zweitunterste Gurt öffnen und der Rückenlehnenbezug kann innen am Rückenlehnenrahmen vorbeigeführt werden.

4.2.7 Anbringen der Kopfstütze




1. Führen Sie mit dem Sterngriff ⑥ die Schraube ein Stück in die Halterung ⑦ ein.
2. Schieben Sie die Halterung mit der Schraube von hinten so auf den Griff der Rückenlehne ⑤, dass die Schraube in das Loch des Rückenlehnengriffs greift.
3. Führen Sie die Platte ④ von vorne so in die Halterung ein, dass die beiden Laschen der Platte nach oben und nach unten zeigen und die Rundung am Rückenlehnengriff anliegt.
4. Schieben Sie das Höhenverstellrohr ③ von oben in die Aussparungen der Halterung.
5. Ziehen Sie mit dem Sterngriff die Schraube fest, bis das Höhenverstellrohr fest sitzt.
6. Schieben Sie das Polster ① und die Polsterhalterung ② in die Fassung ⑧ am Höhenverstellrohr.
7. Ziehen Sie mit dem Sterngriff ⑨ die obere Schraube so fest, dass die Polsterhalterung fest sitzt.

 Zwecks individueller Einstellung kann das Höhenverstellrohr so ausgerichtet werden, dass die Rundung nach vorne oder hinten zeigt.

Das Kopfstützenpolster ① kann entfernt und durch anders geformte Polster (optional) ersetzt werden. Um es zu entfernen, lösen Sie die Halterungsschrauben ①.

Einstellen der Länge der Kopfstütze

 Die Kopfstützenrohre ③ und ② können bei Bedarf gekürzt werden (siehe Servicehandbuch). Dies darf nur von einem qualifizierten Techniker vorgenommen werden.

4.2.8 Montage des Kippschutzes an der Rückseite



WARNUNG! **Kippgefahr**

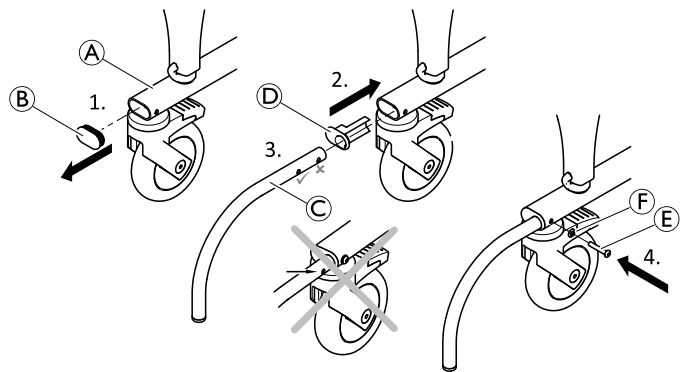
Beim Ocean Dual VIP Ergo besteht bei geeigneter Rückenlehne eine erhebliche Verletzungsgefahr. Der Rollstuhl kann dabei komplett nach hinten kippen.

– Achten Sie vor Verwendung des Ocean Dual VIP Ergo daher darauf, dass an der Rückseite beide Kippschutzvorrichtungen montiert sind.



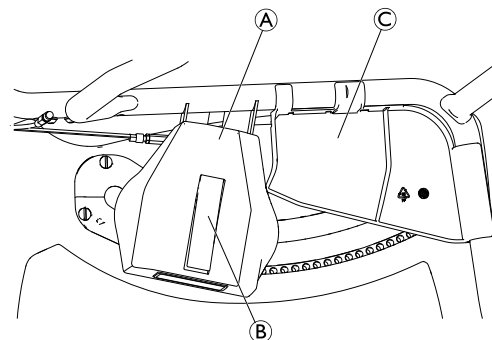
WARNUNG! **Verletzungsgefahr**

– Stellen Sie sich niemals auf den Kippschutz.



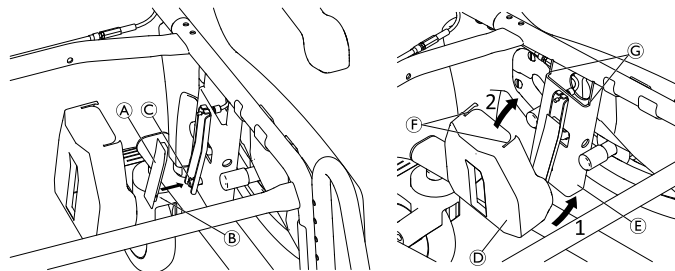
1. Nehmen Sie die Abdeckkappe **B** vom Grundrahmen **A** ab.
2. Bringen Sie die Montagekappe **D** am Grundrahmen an.
3. Setzen Sie das Kippschutzrohr **C** ein.
4. Befestigen Sie den Kippschutz im zweiten Loch mit der Schraube **E** und der Unterlegscheibe **F**.
5. Montieren Sie den zweiten Kippschutz an der anderen Seite.

4.2.9 Anbringen/Abnehmen der Abdeckungen von Bremse und Klemmschutz



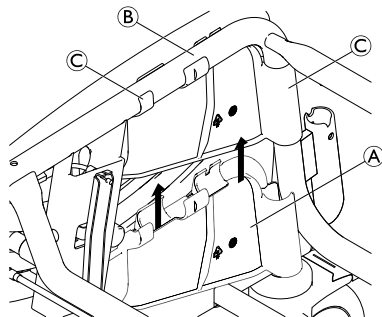
A	Bremsabdeckung
B	Bremshebelabdeckung
C	Klemmschutzabdeckung

Bremsabdeckung



1. Bringen Sie die Bremshebelabdeckung **A** an, indem Sie den Schlitz **B** auf den kleinen Schaft **C** drücken.
2. Halten Sie den unteren Teil der Bremsabdeckung **D** in einem schrägen Winkel an das Bremsgehäuse **E**.
3. Klappen Sie den oberen Teil der Bremsabdeckung so über das Gehäuse, dass die Aussparungen **F** an den Kanten **G** anliegen.
4. Befestigen Sie die Bremsabdeckung auf der anderen Seite auf die gleiche Weise.

Klemmschutzabdeckung



1. Schieben Sie die Klemmschutzabdeckung **A** auf die Rahmenrohre **B**. Alle Clips **C** müssen einrasten.
2. Befestigen Sie die zweite Klemmschutzabdeckung auf der anderen Seite auf die gleiche Art.

5 Zubehör (optional)

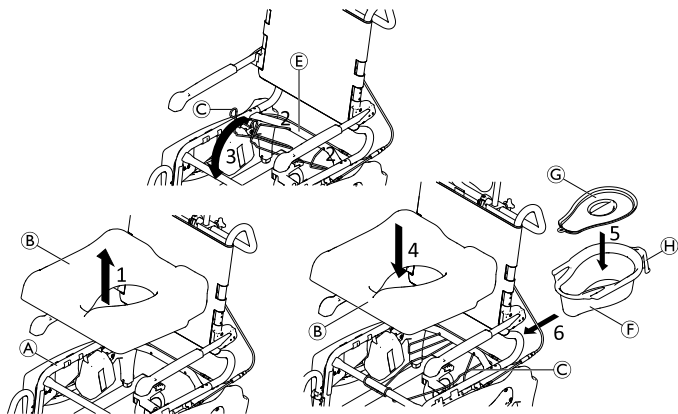


WARNUNG!

Verletzungsgefahr

– Die Montage von Zubehör (optional) muss gemäß den entsprechenden Anweisungen erfolgen.

5.1 Befestigen/Entfernen des Toilettentopfhalters und des Toilettentopfs



Der Toilettentopf (F) kann mit oder ohne Deckel (G) eingesetzt/entfernt werden.

1. Nehmen Sie den Sitz (B) aus dem Rahmen (A) heraus.
2. Positionieren Sie die Enden des Toilettentopfhalters (C) in den Öffnungen des hinteren Querrohrs (E).

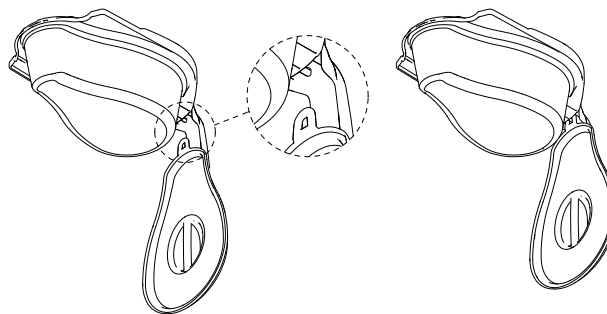
3. Lassen Sie den vorderen Teil des Toilettentopfhalters in das vordere Querrohr (D) einrasten.
4. Setzen Sie den Sitz wieder in den Rahmen ein.
5. Bringen Sie den Deckel am Toilettentopf an bzw. entfernen Sie ihn.
6. Halten Sie den Toilettentopf (H) am Griff fest und setzen Sie ihn von der Rückseite her zwischen dem Toilettensitzhalter und dem Sitz ein.



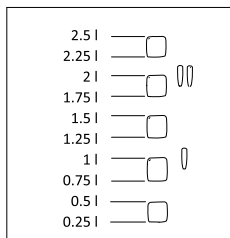
Drücken Sie beim Einsetzen/Entfernen leicht auf den Toilettentopf.



Der Deckel kann am Kunststoffhaken an der Unterseite des Toilettentopfgriiffs aufgehängt werden.



An der Innenwand des Toilettentopfs befindet sich eine Füllstandsanzeige.



6 Verwenden

6.1 Sicherheitsinformationen



WARNUNG!

- Verwenden Sie den Dusch- und Toilettenrollstuhl nur auf ebenen Flächen in Innenräumen.
- Beachten Sie die Angaben auf dem Typenschild. Der Dusch- und Toilettenrollstuhl darf nicht überladen werden.
- Beachten Sie die Sicherheitsaufkleber an der Rückseite der Kopfstütze und am Rückenlehnengriff, *2.2 Schilder und Symbole auf dem Produkt, Seite 37*.
- Beladen Sie den Dusch- und Toilettenrollstuhl nicht mit zu hohem Gewicht.
- Führen Sie vor jeder Verwendung des Produkts eine Sichtkontrolle auf äußere Schäden durch.



WARNUNG!

Rutsch- und Rollgefahr

- Stellen Sie vor der Verwendung sicher, dass der Sitz fest am Sitzrahmen befestigt ist.
- Verriegeln Sie vor dem Hinsetzen oder Aufstehen aus dem Dusch- und Toilettenrollstuhl sowie in der Parkposition alle Schwenkräder mithilfe der Fußhebel.



WARNUNG!

Kippgefahr

- Drehen Sie vor dem Hinsetzen oder Aufstehen die Fußauflagen zur Seite oder klappen Sie die Fußplatten nach oben.
- Drehen Sie vor dem Hinsetzen oder Aufstehen die vorderen Schwenkräder so, dass die Sperrvorrichtung nach vorne weist.
- Stellen Sie sich niemals auf die Fußauflagen.
- Lehnen Sie sich niemals übermäßig nach vorn.
- Setzen Sie den sitzenden Benutzer nur dann auf den Toilettensitz, wenn Sitzrahmen und Rückenlehne in der aufrechten Position fixiert sind.
- Der Toilettensitz ist nur dann zu verwenden, wenn Sitzrahmen und Rückenlehne in der aufrechten Position fixiert sind.
- Entfernen Sie keinesfalls die pneumatischen Federn (nur beim Ocean Dual VIP Ergo).



WARNUNG!

Verletzungsgefahr!

- Vor Verwendung des variablen Softsitzes (optionales Zubehör) müssen die Seitenabdeckungen (Art.-Nr. AP1605002) angebracht werden.



WARNUNG!

Kippgefahr nach hinten!

- Der Ocean Dual VIP Ergo darf nur verwendet werden, wenn an der Rückseite die Kippschutzvorrichtungen montiert sind.

**WARNUNG!****Kippgefahr**

- Der Dusch- und Toilettenrollstuhl darf nur mithilfe der Schiebestange bewegt werden.

**VORSICHT!****Verbrennungsgefahr für die Haut**

Die Komponenten des Produkts können sich aufheizen, wenn sie externen Wärmequellen ausgesetzt werden.

- Denken Sie daran, dass Oberflächen des Dusch- und Toilettenrollstuhls bei Verwendung in der Sauna oder bei Kontakt mit heißem Wasser aufgeheizt sind.
- Setzen Sie das Produkt vor Gebrauch keiner direkten Sonneneinstrahlung aus.

**VORSICHT!****Einklemmgefahr im Neigungsmechanismus**

- Stellen Sie bei der Betätigung der Sitzwinkelverstellung sicher, dass die Arme des Benutzers auf den Armlehnen liegen.
- Überprüfen Sie, dass die Klemmschutzabdeckung am Rahmen angebracht ist (siehe Kapitel 4.2.9 *Anbringen/Abnehmen der Abdeckungen von Bremse und Klemmschutz, Seite 48*).

**WICHTIG!****Gefahr eines Bruchs der Kopfstütze**

- Lenken und schieben Sie den Dusch- und Toilettenrollstuhl nur an dem Griff an der Rückenlehne, keinesfalls jedoch an der Kopfstütze.

**WICHTIG!****Gefahr einer Beschädigung des Produkts**

- Heben Sie den Dusch- und Toilettenrollstuhl nicht an den Fußauflagen, Armlehnen oder anderen Zubehörteilen an.



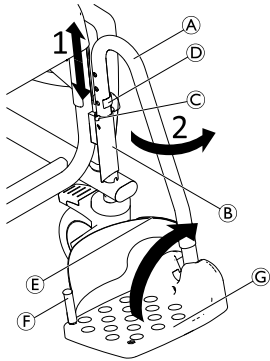
Besteht beim Benutzer ein hohes Risiko, dass er sich auf die Fußauflagen stellt (Demenzpatienten), sind Kippschutzvorrichtungen (Art.-Nr. AP1603992) als Zubehörteil erhältlich, um ein Nachvornekippen des Dusch- und Toilettenrollstuhls zu verhindern.

6.2 Drehen der Armlehnen

**VORSICHT!****Gefahr des Einklemmens der Finger im Faltmechanismus**

- Finger beim Hoch- oder Herunterklappen der Armlehnen nicht in das Drehgelenk kommen lassen.
- Finger beim Zurückklappen der Armlehnen nicht zwischen Arm- und Rückenlehne kommen lassen.
- Darauf achten, dass keine Teile in den Gelenken eingeklemmt werden.

6.3 Drehen der Fußauflagen



Position beim Hinsetzen/Aufstehen:

1. Ziehen Sie die Fußauflage **A** in der Führung **B** ein Stück nach oben, bis der Stift des Clips **D** nicht mehr in die Aussparung **C** eingreift.
2. Drehen Sie die Fußauflage zur Seite.

Fahrposition:



VORSICHT!

Unfallgefahr bei nicht fixierter Fußauflage
– Fußauflagen in der Fahrposition fixieren.

1. Drehen Sie die Fußauflage **A** nach innen.
2. Schieben Sie die Fußauflage nach unten, bis der Stift am Clip **D** in der Aussparung **C** einrastet.



Alternativ können die Fußplatten **G** auch nach oben geschwenkt werden, um sich auf den Dusch- und Toilettenrollstuhl zu setzen bzw. diesen zu verlassen.

Lösen/Befestigen des Fersenbands

1. Öffnen Sie das Klettband **E** am Fersenband.
2. Lösen Sie die Schraube **F** an der Unterseite der Fußplatte.
3. Lösen Sie das Fersenband vom flexiblen Kunststoffstift.



Führen Sie zum Befestigen des Bands die Schritte in umgekehrter Reihenfolge aus.



Achten Sie beim Anbringen darauf, dass der Klettverschluss am Fersenband nach hinten weist.

6.4 Sitzwinkelverstellung des Sitzrahmens mit der Rückenlehne



WICHTIG!

– Bei der Betätigung der Sitzwinkelverstellung niemals in den Bereich zwischen Sitzrahmen mit Rückenlehne und vorderem Rohrrahmen zwischen den Seitenteilen fassen.

Sitzwinkelverstellung nach hinten/vorne



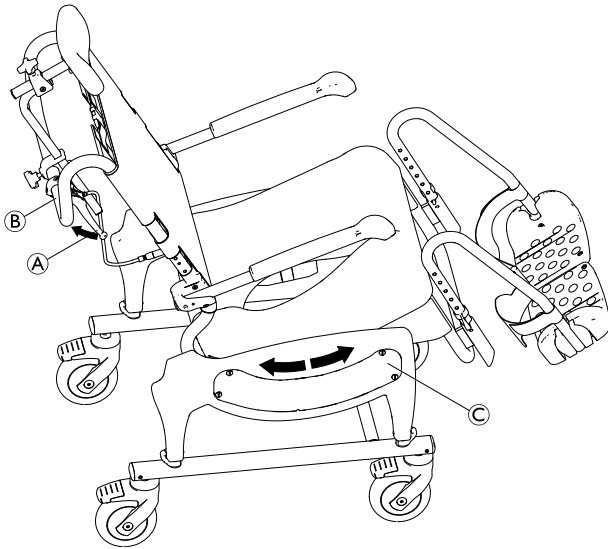
Der Sitzrahmen kann mit der Rückenlehne um etwa 40° nach hinten geneigt werden.



Bei Verwendung von Armlehnenperren (optionales Zubehör) und wenn die Armlehnen in der niedrigsten Position montiert sind, lässt sich der Sitz nicht komplett nach hinten kippen. Der maximale Neigungswinkel beträgt 35°.



Bei den zwei niedrigsten Sitzhöhen kann die Fußauflage nicht im vollen Umfang eingestellt werden. Überprüfen Sie vor der Verwendung, dass die Fußauflagen beim Nachvorneigen des Sitzes nicht den Boden berühren. Ändern Sie ggf. die Sitzhöhe oder die Höhe der Fußauflage.



VORSICHT!

Quetschgefahr

Finger und Hände können im Kippmechanismus eingeklemmt werden.

– Stellen Sie vor jeder Verwendung sicher, dass die Seitenteilabdeckungen © des Kippmechanismus ordnungsgemäß angebracht sind.

1. Drücken Sie zur Verriegelung der Schwenkräder alle vier Fußhebel nach unten.
2. Halten Sie den Duschstuhl an der Schiebestange © fest.
3. Ziehen und halten Sie den Aktivierungsgriff A.
4. Stellen Sie die gewünschte Neigung ein, indem Sie den Griff B nach unten drücken oder nach oben ziehen.
5. Lassen Sie den Aktivierungsgriff los und die Stifte des Kippmechanismus in den entsprechenden Aussparungen einrasten. Der Sitzrahmen wird mit der aktuell eingestellten Neigung fixiert.

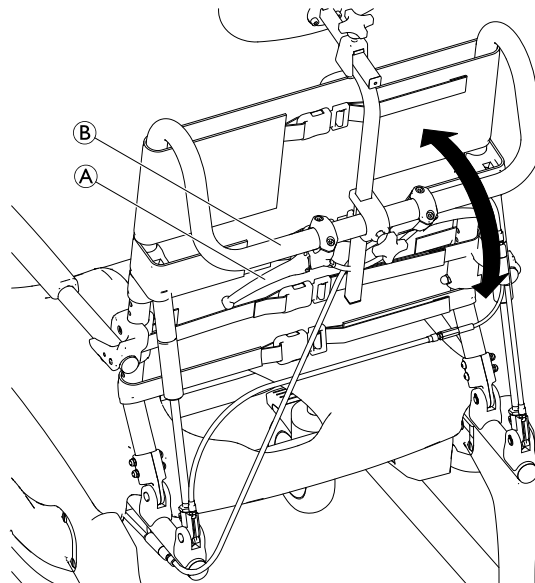
6.5 Neigen der Rückenlehne (nur Ocean Dual VIP Ergo)



VORSICHT!

Gefahr eines Einklemmens der Finger zwischen der Armlehnenhalterung und dem Seitenteil

- Greifen Sie niemals in den Bereich zwischen der Armlehnenhalterung und dem Seitenteil, wenn Sie den Sitzrahmen nach hinten neigen oder die Rückenlehne absenken.
- Stellen Sie beim Neigen des Sitzrahmens oder der Rückenlehne sicher, dass die Arme des Anwenders auf den Armlehnen liegen oder vor dem Körper verschränkt sind.





1. Drücken Sie zur Verriegelung der Schwenkräder alle vier Fußhebel nach unten.
2. Halten Sie den Dusch- und Toilettenrollstuhl an der Schiebbestange **B** fest.
3. Ziehen und halten Sie den Aktivierungsgriff **A**.




Der Aktivierungsgriff hat eine Verriegelungsvorrichtung. Um den Griff betätigen zu können, muss zuerst an der Verriegelungsvorrichtung gezogen werden.

4. Kippen Sie die Rückenlehne in die gewünschte Position.
5. Um die Rückenlehne in der gewünschten Position festzustellen, lassen Sie den Hebel los.

 Sitzt der Benutzer nicht im Dusch- und Toilettenrollstuhl, ist das Nachhintenkippen der Rückenlehne deutlich schwerer. Wird der Griff betätigt, kehrt die Rückenlehne automatisch in die aufrechte Position zurück, sofern kein Benutzer im Dusch- und Toilettenrollstuhl sitzt.

1. Zum Feststellen der Schwenkradverriegelung, treten Sie auf das hintere Ende des Pedals , bis es einrastet.
2. Zum Lösen der Schwenkradverriegelung treten Sie auf das vordere Ende des Pedals, bis es sich löst.

 Das Schwenkrad mit blauem Hebel (optional) wird verwendet, um die Richtungsverriegelung für eine leichtere gerade Bewegung einrasten zu lassen.

6.6 Festellen/Lösen der Schwenkradverriegelungen

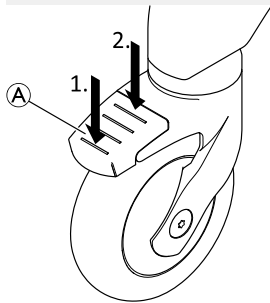


VORSICHT!

Einklemmungs- und Quetschungsgefahr

Alle Schwenkradverriegelungen werden per Fuß bedient.

– Die Schwenkradverriegelungen nicht per Hand bedienen.



7 Transport

7.1 Sicherheitsinformationen



Das Produkt kann für den Transport in die Einzelteile aus dem Lieferumfang zerlegt werden, siehe Kapitel *3 Aufbau und Funktion, Seite 40*.

1. Demontage des Produkts: Führen Sie zum Zerlegen des Produkts die Montageschritte in umgekehrter Reihenfolge aus (siehe Kapitel *4 Inbetriebnahme, Seite 42*).



WICHTIG!

Gefahr einer Beschädigung des Produkts

- Das Produkt beim Transport vor Feuchtigkeit schützen.
- Das Produkt keiner direkten Sonneneinstrahlung aussetzen.
- Die in Abschnitt *11.3 Umgebungsbedingungen, Seite 67* aufgeführten Transport- und Lagerbedingungen beachten.



WICHTIG!

- Bei diversen Verbindungen kommen selbstsichernde Schrauben/Muttern oder Schraubensicherungslack zum Einsatz. Wenn diese gelöst werden, müssen sie durch neue selbstsichernde Schrauben/Muttern ersetzt bzw. mit neuem Schraubensicherungslack gesichert werden.

8 Instandhaltung

8.1 Wartung und Inspektion

Für dieses Produkt ist keine Wartung erforderlich, wenn die unten aufgeführten Reinigungs- und Sicherheitsanweisungen beachtet werden.

Um die Funktion und die Sicherheit des Produkts aufrechtzuerhalten, sollten Sie regelmäßig folgende Überprüfungen vornehmen:

- Überprüfen Sie das Produkt und Zubehör regelmäßig auf Schäden. Verwenden Sie das Produkt nicht, wenn es defekt ist.
- Überprüfen Sie die Neigefunktion von Sitzrahmen und Rückenlehne (Ocean Dual VIP Ergo). Sitzrahmen und Rückenlehne müssen sich leicht neigen und in einer Position fixieren lassen.
- Wenn Schäden oder Fehlfunktionen vorliegen, sollten Sie sich an den Anbieter wenden.
- Vergewissern Sie sich, dass das Produkt ordnungsgemäß montiert ist, alle Schutzabdeckungen angebracht sind und die Schrauben ordnungsgemäß festgezogen wurden.



WARNUNG!

Gefahr von Verletzungen und Sachschäden

Ein nicht ordnungsgemäß eingestelltes Produkt kann zu Unfällen und schweren Verletzungen führen.

- Das Produkt darf nur von einem qualifizierten Techniker repariert werden.
- Beschädigte Teile müssen durch einen qualifizierten Techniker ausgetauscht werden.
- Ausschließlich Originalersatzteile von Invacare verwenden.

8.2 Reinigung und Desinfektion

Das Produkt kann mithilfe von handelsüblichen Mitteln gereinigt und desinfiziert werden.



WICHTIG!

- Im Bereich des Badezimmers und der Toilette ist die Beachtung der Hygiene besonders wichtig.
- Halten Sie das Produkt stets sauber und wischen Sie es regelmäßig ab.
 - Desinfizieren Sie das Produkt regelmäßig.

1. Desinfizieren Sie das Produkt, indem Sie alle direkt zugänglichen Oberflächen mit einem Desinfektionsmittel abwischen (das Produkt möglichst vor dem Desinfizieren in seine Einzelteile zerlegen).



WICHTIG!

Alle verwendeten Reinigungs- und Desinfektionsmittel müssen wirksam und miteinander verträglich sein und das Material schützen, das mit ihnen gereinigt wird. Weitere Informationen zur Dekontamination in medizinischen Umgebungen finden Sie in den „Empfehlungen der Kommission für Krankenhaushygiene und Infektionsprävention“ auf der Internetseite des Robert Koch-Instituts: www.rki.de.

- Von Hand, in einer Waschmaschine oder im Autoklav reinigen.
- Keine Scheuermittel verwenden.

Reinigung in häuslicher Umgebung

1. Entfernen Sie befestigte Zubehörteile (nur Zubehörteile, für die keine Werkzeuge erforderlich sind).
2. Ziehen Sie die Fußauflagen aus den Führungen.
3. Nehmen Sie die Sitzplatte und den Rückenlehnenbezug ab.
4. Entfernen Sie die Abdeckungen von Bremse und Klemmschutz (siehe Kapitel 4.2.9 *Anbringen/Abnehmen der Abdeckungen von Bremse und Klemmschutz, Seite 48*).
5. Wischen Sie die Einzelteile mit einem Tuch oder einer Bürste ab und verwenden Sie dabei handelsübliche Reinigungs- und Desinfektionsmittel.
6. Spülen Sie die Teile mit warmem Wasser ab.
7. Trocknen Sie die Teile mit einem Tuch.
8. Bauen Sie das Produkt wie in Kapitel 4 „Einrichtung“ beschrieben wieder zusammen.

Reinigung in klinischer Umgebung



Zusätzlich zu der oben beschriebenen Reinigung empfehlen wir, das Produkt vor dem Gebrauch durch einen anderen Patienten, nach der Anwendungsperiode oder regelmäßig (je nachdem, was früher eintritt) bei

- 90 °C für 1 Minute
- 85 °C für 3 Minuten
- 80 °C für 10 Minuten

im Autoklav zu reinigen.



VORSICHT!

Verbrennungsgefahr für die Haut

– Lassen Sie das Produkt nach dem Reinigen in der Waschmaschine oder im Autoklav abkühlen.

Reinigung des Rückenlehnenbezugs (optional)

1. Nehmen Sie den Rückenlehnenbezug ab.
2. Waschen Sie den Rückenlehnenbezug bei max. 60 °C mit einem milden Waschmittel in der Waschmaschine.



WICHTIG!

Gefahr von Beschädigungen

– Waschen bei höheren Temperaturen kann Beschädigungen zur Folge haben.
– Nicht im Wäschetrockner trocknen.



WICHTIG!

Übermäßige Reinigung kann Textilien schädigen.
– Aus hygienischen Gründen empfehlen wir, den Rückenlehnenbezug alle zwei Jahre zu ersetzen.

Reinigen des Toilettentopfs (optional)

Der Toilettentopf kann im Autoklav gereinigt werden. Hierfür kommen die folgenden Reinigungszyklen (Temperatur/Dauer) in Betracht:

- 90 °C für 1 Minute
- 85 °C für 3 Minuten
- 80 °C für 10 Minuten

9 Nach dem Gebrauch

9.1 Aufbewahrung



WARNUNG!

Gefahr einer Beschädigung des Produkts

- Das Produkt an einem trockenen Ort lagern.
- Das Produkt nicht in der Nähe von Wärmequellen lagern.
- Das Produkt keiner direkten Sonneneinstrahlung aussetzen.
- Die in Abschnitt *11.3 Umgebungsbedingungen*, Seite 67 aufgeführten Transport- und Lagerbedingungen beachten.



Nach längerer Aufbewahrung ist zur Auslösung der Gasdruckfeder möglicherweise ein höherer Kraftaufwand erforderlich (nur Ocean Dual VIP Ergo).

9.2 Wiedereinsatz

Das Produkt ist für den wiederholten Gebrauch geeignet. Wie oft das Produkt eingesetzt werden kann, hängt von der Art der Verwendung ab. Reinigen und desinfizieren Sie das Produkt vor dem Wiedereinsatz gründlich (→ *8.2 Reinigung und Desinfektion*, Seite 59) und überprüfen Sie es auf Beschädigungen und ordnungsgemäße Montage.

9.3 Entsorgung

Handeln Sie umweltbewusst und lassen Sie die unterschiedlichen Materialien und Bauteile dieses Produkts nach Ende seiner Lebensdauer über eine lokale Müllverwertungsanlage separat recyceln.

Die Entsorgung und das Recycling von gebrauchten Produkten und Verpackungen muss in Übereinstimmung mit den einschlägigen Gesetzen und Vorschriften des jeweiligen Landes erfolgen. Wenden Sie sich für weitere Informationen an Ihr Abfallentsorgungsunternehmen.

10 Problembehandlung

10.1 Erkennen und Beheben von Mängeln



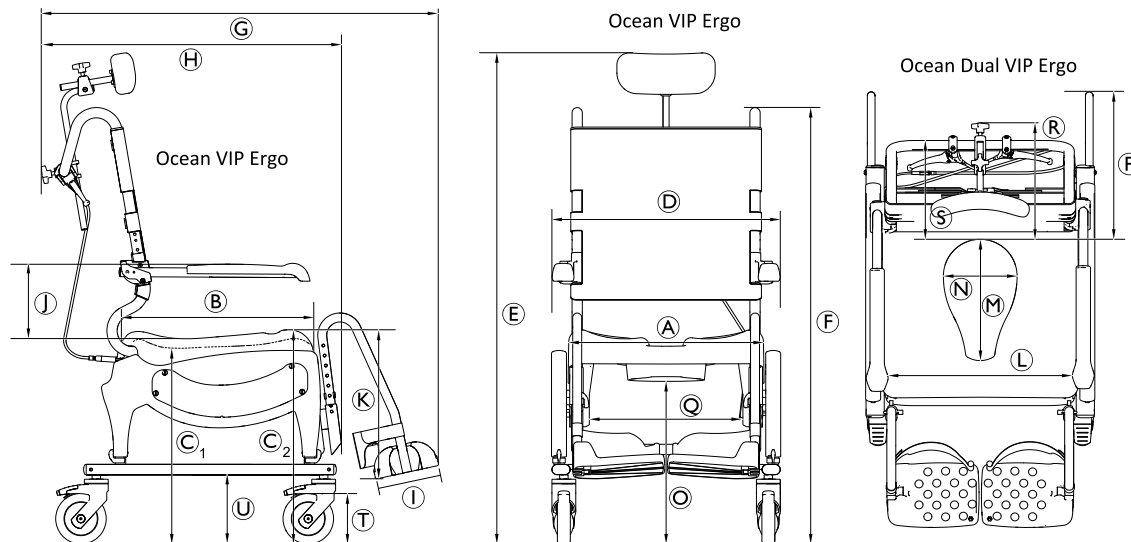
In der folgenden Tabelle finden Sie Informationen zu Mängeln und ihren möglichen Ursachen. Lässt sich der Fehler nicht durch eine der genannten Maßnahmen beheben, wenden Sie sich direkt an den Anbieter.

Fehlfunktion	Mögliche Ursache	Lösung
Schwierigkeiten beim Einstellen der Sitzhöhe	Schmutz zwischen Sitzrahmen und Seitenteil	Zerlegen Sie den Grundrahmen und reinigen Sie ihn und das Seitenteil sorgfältig.
Die Schwenkräder lassen sich schwer oder gar nicht drehen.	Schmutz zwischen Gabel und Felge	Die Schwenkräder gründlich reinigen.
Die Fußauflagen lassen sich nur schwer zur Seite drehen.	Ablagerungen in den Führungen	Die Fußauflagen und Führungen gründlich reinigen.
Der Sitzrahmen mit der Rückenlehne lässt sich nicht neigen.	Ablagerungen im Kippmechanismus	Nehmen Sie die Abdeckungen von Bremse und Bremshebel ab und reinigen Sie den Kippmechanismus sorgfältig.
	Bowdenzug nicht richtig eingestellt	Der Bowdenzug muss von einem qualifizierten Techniker eingestellt werden.
Größerer Kraftaufwand zum Auslösen der Gasdruckfeder (Dual VIP) erforderlich	Längere Aufbewahrung ohne Nutzung	Sitzrahmen mehrmals neigen.
Rückenlehne lässt sich nicht neigen (Dual VIP)	Bowdenzug nicht richtig eingestellt	Der Bowdenzug muss von einem qualifizierten Techniker eingestellt werden.

Fehlfunktion	Mögliche Ursache	Lösung
Knackgeräusche bei der Winkelverstellung des Sitzrahmens mit Rückenlehne	Bowdenzug nicht richtig eingestellt	Der Bowdenzug muss von einem qualifizierten Techniker eingestellt werden.
	Aktivierungsgriff ist nicht komplett gezogen	Aktivierungsgriff komplett ziehen.

11 Technische Daten

11.1 Abmessungen und Gewicht



	Ocean VIP Ergo	Ocean VIP Ergo XL	Ocean Dual VIP Ergo
(A)		480 mm	
(B)		480 mm	
(C ₁)		475 mm – 600 mm	
(C ₂)		533 mm – 658 mm	
(D)	565 mm	645 mm	565 mm

	Ocean VIP Ergo	Ocean VIP Ergo XL	Ocean Dual VIP Ergo
Ⓔ	ca. 1052 mm – 1340 mm (in neutraler Sitzposition)		
Ⓕ	ca. 1052 mm – 1202 mm (in neutraler Sitzposition)		
Ⓖ	ca. 1000 mm		
Ⓗ	ca. 742 mm		
Ⓘ	160 mm		
Ⓝ	213 mm / 251 mm / 289 mm		
Ⓚ	319 mm – 469 mm (in Abständen von 25 mm)		
Ⓛ	455 mm	535 mm	455 mm
Ⓜ	350 mm (Oberseite) / 300 mm (Unterseite)		
Ⓝ	250 mm (Oberseite) / 182 mm (Unterseite)		
Ⓞ	400 mm – 525 mm		
Ⓟ	—	—	380 mm
Ⓠ	385 mm		
Ⓡ	295 mm		—
Ⓢ	230 mm		—
Ⓣ	Æ 5" (127 mm)		
Ⓤ	172 mm		
Sitzwinkelverstellung	-5° – 40°		
Rückenwinkelverstellung	—	—	5° – 35°
Wendekreis	2200 mm		

	Ocean VIP Ergo	Ocean VIP Ergo XL	Ocean Dual VIP Ergo
Wendebereich	1140 mm		1290 mm
Produktgewicht	23,5 kg	23,5 kg	28,3 kg
Maximales Benutzergewicht	150 kg		

11.2 Materialien

Rahmen	Edelstahl, pulverbeschichtet
Sitzplatte	Polypropylen, glasfaserverstärkt
Rückenlehnenbezug	Nylon, PVC-beschichtet
Fußauflagen	Polypropylen, glasfaserverstärkt
Armlehnenpolster	Polypropylen
Schwenkräder	Kunststoff und Edelstahl

Relative Luftfeuchtigkeit	30–75 % (nicht kondensierend)
Luftdruck	795 bis 1060 hPa

Alle Komponenten des Produkts sind korrosionsbeständig und enthalten kein Naturkautschuklatex.

11.3 Umgebungsbedingungen

Betriebsbedingungen	
Umgebungstemperatur	10–65 °C
Relative Luftfeuchtigkeit	15–93 % (nicht kondensierend)
Luftdruck	795 bis 1060 hPa
Transport- und Lagerungsbedingungen	
Umgebungstemperatur	0–65 °C

Sommaire

Ce manuel DOIT être remis à l'utilisateur du produit. AVANT d'utiliser ce produit, vous DEVEZ lire ce manuel et le conserver pour pouvoir vous y reporter ultérieurement.

1 Généralités	70
1.1 Introduction	70
1.2 Symboles figurant dans ce manuel	70
1.3 Informations de garantie	71
1.4 Conformité	71
1.4.1 Normes spécifiques au produit	71
1.5 Utilisation prévue	71
1.6 Durée de vie	72
2 Sécurité	73
2.1 Informations de sécurité	73
2.2 Étiquettes et symboles figurant sur le produit	73
3 Composants et fonction	76
3.1 Présentation	76
4 Réglages (Mise en service)	78
4.1 Informations de sécurité	78
4.2 Assemblage de la chaise roulante pour douche/toilettes	78
4.2.1 Réglage de la hauteur d'assise	78
4.2.2 Installation du dossier	79
4.2.3 Installation de la poignée d'activation	80
4.2.4 Installation/démontage de la plaque d'assise	81
4.2.5 Réglage de la hauteur des accoudoirs	81
4.2.6 Installation des repose-pieds	82
4.2.7 Installation de l'appui-tête	83
4.2.8 Installation des dispositifs anti-bascule arrière	83
4.2.9 Installation/démontage des carénages de freins / protection de serrage	84

5 Accessoires (en option)	86
5.1 Fixation/démontage du support de chaise percée et du pot de toilette	86
6 Utilisation	88
6.1 Informations de sécurité	88
6.2 Pivot des accoudoirs	90
6.3 Pivot des repose-pieds	90
6.4 Inclinaison du châssis de l'assise avec le dossier	91
6.5 Inclinaison du dossier (Ocean Dual VIP Ergo uniquement)	92
6.6 Embrayage/débrayage des dispositifs de verrouillage des roulettes	93
7 Transport	94
7.1 Informations de sécurité	94
8 Maintenance	95
8.1 Maintenance et inspection	95
8.2 Nettoyage et désinfection	95
9 Après l'utilisation	97
9.1 Stockage	97
9.2 Réutilisation	97
9.3 Mise au rebut	97
10 Dépannage	98
10.1 Identification et résolution des pannes	98
11 Caractéristiques Techniques	100
11.1 Dimensions et poids	100
11.2 Matériaux	102
11.3 Paramètres environnementaux	102

1 Généralités

1.1 Introduction

Le présent manuel d'utilisation contient des informations importantes sur la manipulation du produit. Pour garantir une utilisation en toute sécurité du produit, lisez attentivement le manuel d'utilisation et respectez les instructions de sécurité.

Veuillez noter que certaines sections du présent manuel d'utilisation peuvent ne pas s'appliquer à votre produit, étant donné que le manuel concerne tous les modèles disponibles (à la date d'impression). Sauf mention contraire, chaque section de ce manuel se rapporte à tous les modèles du produit.

Les modèles et les configurations disponibles dans votre pays sont répertoriés dans le catalogue de tarifs spécifique au pays.

Invacare se réserve le droit de modifier les caractéristiques des produits sans préavis.

Avant de lire ce manuel, assurez-vous de disposer de la version la plus récente. Cette version est disponible au format PDF sur le site Internet d'Invacare.

Si la taille des caractères de la version imprimée du manuel d'utilisation vous semble trop difficile à lire, vous pouvez le télécharger au format PDF sur le site Internet. Vous pourrez alors ajuster la taille des caractères à l'écran pour améliorer votre confort visuel.

Pour obtenir plus d'informations sur le produit, comme les avis de sécurité ou les rappels du produit, contactez votre

représentant Invacare local. Reportez-vous aux adresses indiquées à la fin du présent document.

1.2 Symboles figurant dans ce manuel

Dans le présent manuel, les mises en garde sont signalées par des symboles. Ces symboles sont accompagnés d'un titre indiquant le niveau de danger.



AVERTISSEMENT

Indique une situation dangereuse qui, si elle n'est pas évitée, est susceptible de provoquer des blessures graves, voire mortelles.



ATTENTION

Indique une situation dangereuse qui, si elle n'est pas évitée, est susceptible de provoquer des blessures mineures ou légères.



IMPORTANT

Indique une situation dangereuse qui, si elle n'est pas évitée, est susceptible de provoquer des dommages matériels.



Conseils et recommandations

Donne des conseils, recommandations et informations utiles pour une utilisation efficace et sans souci.



Ce produit est conforme à la Directive 93/42/CEE sur les dispositifs médicaux. La date de lancement de ce produit est indiquée dans la déclaration de conformité CE.



Fabricant du produit.

1.3 Informations de garantie

Nous fournissons une garantie fabricant pour le produit, conformément à nos conditions générales de vente en vigueur dans les différents pays.

Les réclamations au titre de la garantie ne peuvent être adressées qu'au fournisseur auprès duquel le produit a été obtenu.

1.4 Conformité

La qualité est un élément fondamental du fonctionnement de notre entreprise, qui travaille conformément à la norme ISO 13485.

Le présent produit porte le marquage CE, en conformité avec la Directive relative aux dispositifs médicaux 93/42/EEC Classe 1.

Nous nous efforçons en permanence de réduire au minimum notre impact sur l'environnement, à l'échelle locale et mondiale.

Nous n'utilisons que des matériaux et composants conformes au règlement REACH.

1.4.1 Normes spécifiques au produit

Ce produit a été testé et il est conforme à la norme ISO 17966 (Produits d'assistance pour l'hygiène personnelle soutenant les utilisateurs) et à toutes les normes associées. Les tests effectués incluent des tests d'inflammabilité. Il n'y a pas eu de signes de combustion lente progressive ou de départ de flamme.

Pour des informations complémentaires sur les normes et réglementations locales, contactez un représentant Invacare. Reportez-vous aux adresses indiquées à la fin du présent document.

1.5 Utilisation prévue

La chaise roulante pour douche/toilettes est uniquement conçue comme un dispositif d'assistance pour la douche ou le bain, et doit être utilisée pour l'hygiène personnelle (par ex. devant la cuvette) ou pour transférer des patients à l'intérieur. Elle n'est pas conçue pour être utilisée par des patients jeunes ou adultes, avec ou sans l'aide d'un soignant, ayant :

- des difficultés à rester debout ou à garder l'équilibre
- des faiblesses dans les jambes ou une incapacité des membres inférieurs
- un état de santé altérant leur équilibre

Le produit est conçu pour être utilisé en institution ou au domicile du patient. Toute autre utilisation est interdite.



AVERTISSEMENT !

Risque de blessure

- N'utilisez jamais ce produit comme aide pour rentrer dans la baignoire ou en sortir, pour monter ou descendre, comme support ou tout autre usage semblable.
- N'utilisez par ce produit à l'extérieur.

En tant que chaise toilettes, vous pouvez l'utiliser sur un WC normal ou indépendamment avec la cuvette de toilettes (en option).

Température d'utilisation : 10 °C - 65 °C

1.6 Durée de vie

La durée de vie attendue de ce produit est de cinq ans lorsqu'il est utilisé quotidiennement et dans le respect des consignes de sécurité, des intervalles de maintenance et avec une utilisation correcte, comme indiqué dans le présent manuel. La durée de vie effective peut varier en fonction de la fréquence et de l'intensité de l'utilisation.

2 Sécurité

2.1 Informations de sécurité



AVERTISSEMENT !

Risque de blessure ou de dommage matériel

- N'utilisez pas ce produit ni tout autre équipement disponible en option sans avoir lu et compris entièrement les présentes instructions et toute autre documentation d'instructions supplémentaire, telle que les manuels d'utilisation, les manuels de maintenance ou fiches d'instructions fournis avec ce produit ou l'équipement en option.
- Si vous ne comprenez pas les avertissements, mises en garde ou instructions, veuillez contacter un professionnel de santé, un fournisseur Invacare ou un technicien qualifié avant d'essayer d'utiliser cet équipement.



AVERTISSEMENT !

Risque de blessure

- Ne vous mettez pas debout sur le produit.
- Ne l'utilisez pas comme escabeau.
- Ne l'utilisez en extérieur.



AVERTISSEMENT !

Risque de blessure

- N'utilisez pas le produit s'il est défectueux.
- En cas de dysfonctionnement, contactez immédiatement votre fournisseur.
- Ne pas procéder à aucune modification non autorisée et ne pas transformer le produit.
- Utilisez uniquement les accessoires conçus pour ce produit



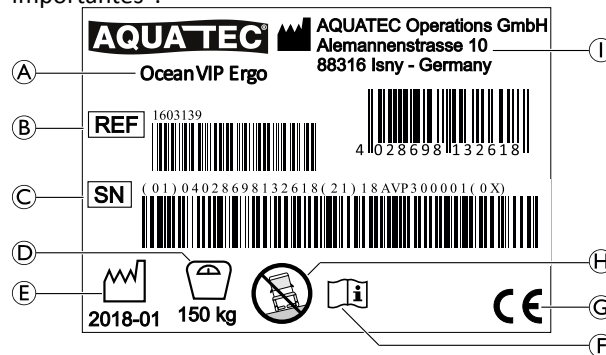
IMPORTANT !

Les informations contenues dans ce document peuvent être modifiées sans préavis.

2.2 Étiquettes et symboles figurant sur le produit

Autocollant d'identification

L'autocollant d'identification fournit des informations importantes :



Ⓐ	Désignation du produit
Ⓑ	Numéro de référence
Ⓒ	Numéro de série
Ⓓ	Poids maximal de l'utilisateur
Ⓔ	Date de fabrication
Ⓕ	Consultez le manuel d'utilisation
Ⓖ	Marque de conformité
Ⓗ	Remarque (utilisation uniquement sur des surfaces planes)
Ⓘ	Adresse du fabricant



L'autocollant d'identification est fixé à l'intérieur de la pièce latérale gauche.

Étiquettes figurant sur le produit

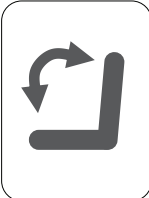
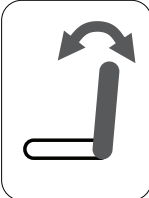
Les autocollants suivants sont fixés à l'arrière de l'appui-tête :	
Libellé	Description
	<p>ATTENTION !</p> <p>Risque d'impact</p> <p>Vous risquez de heurter le dossier/l'appui-tête au moment de retirer la poignée d'activation.</p> <p>- Veillez à avoir un espace suffisant entre vous et le dossier/l'appui-tête au moment d'incliner le châssis de l'assise avec le dossier.</p>

Les autocollants suivants sont fixés sur la poignée du dossier :

Libellé	Description
	<p>AVERTISSEMENT !</p> <p>Risque de basculement</p> <ul style="list-style-type: none"> - Ne marchez pas sur le repose-pied au moment de monter ou de descendre de la chaise roulante pour douche/toilettes. - Poussez les repose-pieds sur les côtés ou repliez les palettes repose-pied avant de monter ou de descendre de la chaise roulante pour douche/toilettes. - Avant de vous asseoir ou de vous mettre debout, tournez les roulettes de manière à ce que le blocage soit orienté vers l'avant. - Ne vous penchez pas trop en avant lorsque vous êtes assis dans la chaise roulante pour douche/toilettes.

Les autocollants suivants sont fixés aux poignées d'activation :

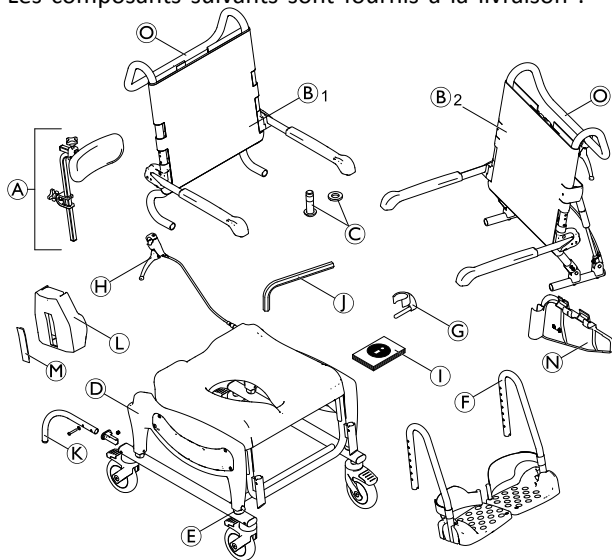
Libellé	Description
---------	-------------

	<p>Poignée d'activation pour l'inclinaison du siège.</p>
	<p>Poignée d'activation uniquement pour l'inclinaison du dossier.</p>

3 Composants et fonction

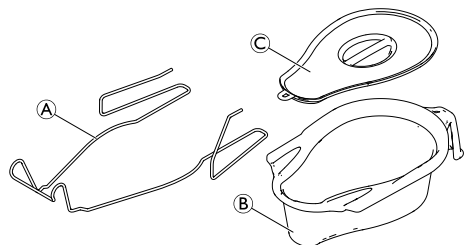
3.1 Présentation

Les composants suivants sont fournis à la livraison :



©	Vis (x4) et rondelles (x4) pour la fixation du dossier
©	Châssis de l'assise avec plaque d'assise et pièces latérales avec châssis et roulettes
©	Clips (x4) pour le réglage de la hauteur
©	Repose-pieds avec sangles talonnières (x2)
©	Clips (x2) pour repose-pied
©	Poignée d'activation pour l'inclinaison du siège
©	Manuel d'utilisation
©	Clé Allen
©	Dispositif anti-basculé arrière avec vis, rondelle et bouchon de montage (x2) (Ocean Dual VIP Ergo uniquement)
©	Carénage du frein (x2)
©	Carénage du levier de frein (x2)
©	Protection du serrage (x2)
©	Barre de poussée

©	Appuie-tête
© ₁	Ocean VIP Ergo : dossier avec toile et accoudoirs
© ₂	Ocean Dual VIP Ergo : dossier avec toile, accoudoirs et poignée d'activation pour l'inclinaison du dossier

Accessoire — Support de chaise percée avec pot de toilette

(A)	Support de chaise percée
(B)	Pot de toilette
(C)	Couvercle

4 Réglages (Mise en service)

4.1 Informations de sécurité



AVERTISSEMENT !

- Vérifiez les pièces afin de vous assurer de l'absence de dommages causés pendant le transport avant toute mise en service. Le cas échéant, contactez votre fournisseur.
- Lors du montage, assurez-vous que les pièces sont correctement positionnées les unes par rapport aux autres.
- Des vis/écrous autobloquants ou un adhésif frein-filet sont utilisés pour plusieurs vissages. S'ils sont desserrés, ils doivent être remplacés par de nouveaux écrous/vis autobloquants ou être refixés avec un nouvel adhésif frein-filet.

4.2 Assemblage de la chaise roulante pour douche/toilettes

Cette section aborde le montage. Procédez en sens inverse pour le démontage.



La hauteur des accoudoirs, la hauteur des repose-pied, l'angle des repose-pied, l'appui-tête, la sangle talonnière, la tension de la toile de dossier et les accessoires doivent être réglés pour répondre de façon optimale aux besoins de l'utilisateur.

4.2.1 Réglage de la hauteur d'assise

Cette section aborde le montage. Procédez en sens inverse pour le démontage.

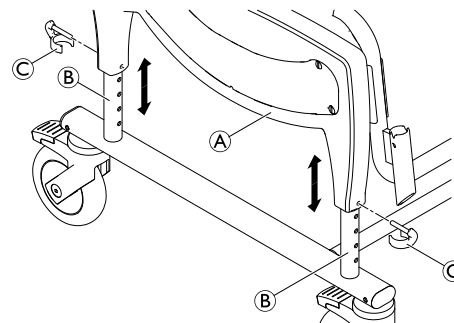


AVERTISSEMENT !

- Ne réglez pas la hauteur d'assise de la chaise lorsqu'une personne y est assise.



La hauteur d'assise doit être réglée simultanément des deux côtés.



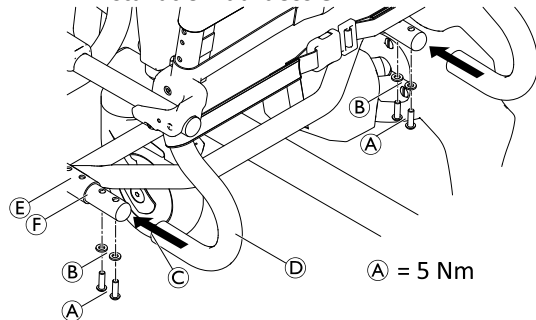
1. Levez légèrement la chaise toilettes au niveau de la pièce latérale A.
2. Retirez les quatre clips C (deux de chaque côté).
3. Réglez la hauteur correcte en déplaçant simultanément le châssis de l'assise vers le haut ou vers le bas sur les quatre tubes B du châssis.
4. Alignez les pièces de fixation situées sur la pièce latérale sur un trou du châssis.
5. Insérez les quatre clips de l'extérieur dans la pièce latérale, jusqu'à ce que les bords du clip entourent le tube du châssis B.

**AVERTISSEMENT !****Risque de blessure**

- Assurez-vous que les quatre clips sont correctement fixés.
- Vérifiez que les quatre tubes sont réglés à la même hauteur.



La hauteur d'assise peut être réglée pour s'adapter à différentes situations, par ex. le transfert depuis un lit ou un fauteuil roulant ou l'utilisation au-dessus des toilettes, etc.

4.2.2 Installation du dossier

1. Enfoncez les quatre leviers au pied des roulettes pour bloquer celles-ci.
2. Poussez le dossier **D** par l'arrière sur le châssis de l'assise **E**, jusqu'à ce que la bride **C** butte contre le tube de l'armature du siège **F**.

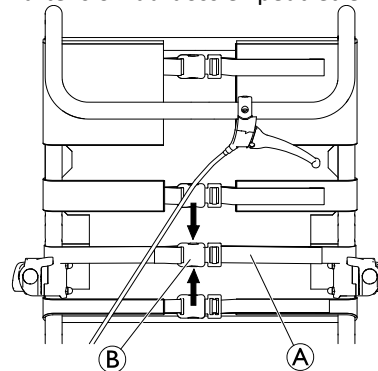
**IMPORTANT !**

- Serrez fermement les vis au moyen de la clé Allen fournie.
- Vérifiez régulièrement les vis afin de vous assurer qu'elles sont fixées correctement.

3. Placez une rondelle **B** sur chaque vis **A** et fixez le dossier de chaque côté.
4. Serrez les vis à un couple de 5 Nm.

Réglage de la tension de la toile de dossier

La tension du dossier peut être réglée selon les besoins.

**AVERTISSEMENT !**

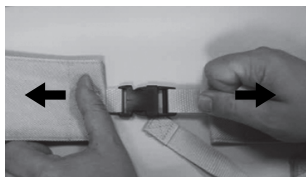
- Veillez à ce qu'au moins trois sangles soient toujours passées autour du cadre du dossier (à l'extérieur) et à ce que les boucles de ceinture soient fermées.

Serrage :

1. Resserrez les sangles **A** de la toile de dossier.

Desserrage :

1. Ouvrez les boucles **B** en comprimant les languettes de fixation (flèches).
2. Allongez légèrement les sangles dans les boucles.
3. Serrez les boucles de ceinture.
4. Resserrez délicatement les sangles.



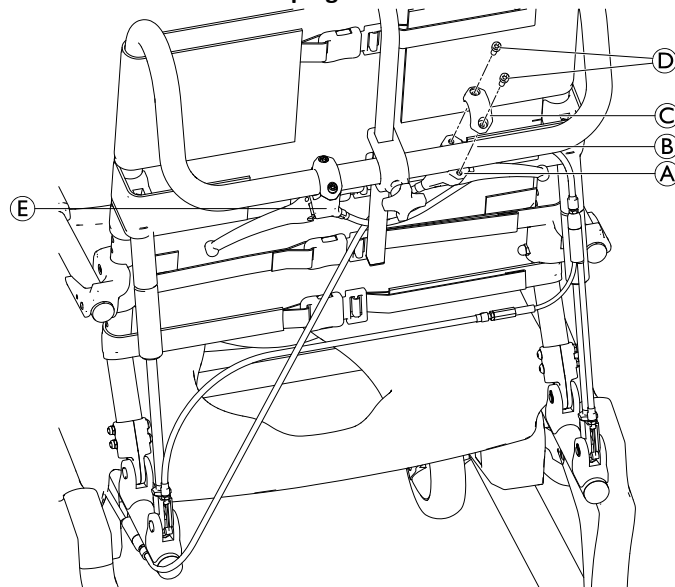
AVERTISSEMENT !

Risque de blessure due à des boucles de sangles endommagées sur le dossier !

Vérifiez que les boucles de sangles du dossier sont solidement fixées à chaque maintenance ou reconditionnement du produit.

- Vérifiez la fixation solide de tous les clips en fermant les boucles et en tirant sur leurs extrémités.
- Remplacez le dossier/les boucles de sangles du dossier si une boucle s'ouvre sous l'effet de la force exercée.

4.2.3 Installation de la poignée d'activation




1. Démontez la pièce de fixation **C** de la poignée d'activation **A** en desserrant les vis **D**.
2. Positionnez la poignée d'activation **A** pour l'inclinaison du siège par dessous, du côté droit du tube de la poignée **B**.



La poignée doit être légèrement tournée à l'intérieur vers le dossier.

3. Installez la poignée d'activation sur le tube de la poignée en utilisant la pièce de fixation **C** et les vis **D**.

 Pour l'Ocean Dual VIP Ergo, la poignée d'activation **E** pour l'inclinaison du dossier est déjà installée sur le côté gauche du tube de la poignée. La position de la poignée d'activation peut être modifiée si nécessaire.

4.2.4 Installation/démontage de la plaque d'assise

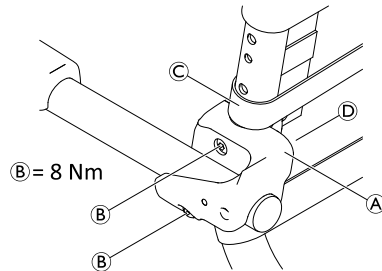
Installation :

1. Placez la plaque d'assise sur l'armature du siège avec la découpe orientée vers l'avant.
2. Avec votre main à plat, enfoncez la plaque d'assise sur les côtés, puis à l'avant et à l'arrière jusqu'à ce qu'elle s'enclenche sur l'armature du siège.


Démontage :

1. Tirez la plaque d'assise vers le haut à l'arrière.


4.2.5 Réglage de la hauteur des accoudoirs




1. Sur la toile de dossier, ouvrez la deuxième ceinture en partant du haut **C** et desserrez les autres ceintures.

 Les écrous sont insérés dans la fixation sans être serrés et peuvent donc tomber.

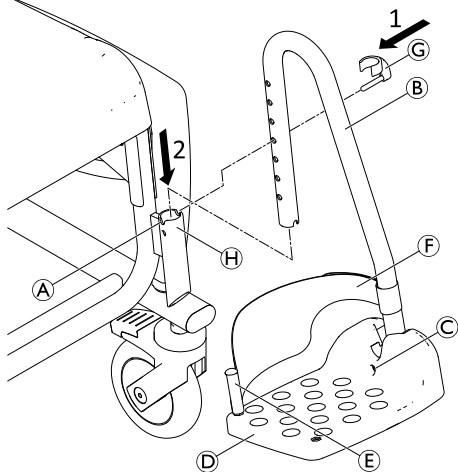
2. Dévissez les vis **B** du support d'accoudoir **A** à l'aide de la clé Allen fournie.
3. Retirez la fixation **D** avec les écrous de l'intérieur du cadre du dossier.
4. Retirez la bride du dossier **A** avec l'accoudoir et déplacez-la vers le haut.

 Le trou plus petit sert à maintenir la fixation.


5. Insérez les vis dans le support d'accoudoir et guidez-les à travers les orifices du cadre du dossier.
6. Si nécessaire, remettez les écrous dans la fixation.
7. Placez la fixation sur le cadre du dossier en insérant la broche de fixation dans le petit trou.
8. Vissez les vis dans les écrous et serrez-les.
9. Selon la hauteur de l'accoudoir, passez la deuxième ceinture en partant du haut à l'extérieur du cadre du dossier ou à l'intérieur, fermez et serrez toutes les ceintures.
10. La procédure de réglage de la hauteur est identique pour l'accoudoir droit et gauche.

 Pour fixer des accessoires, il est possible d'ouvrir la deuxième ceinture en partant du haut et de faire passer la toile de dossier par le cadre du dossier de l'intérieur.


4.2.6 Installation des repose-pieds



1. Insérez la broche du clip © par l'extérieur dans le trou souhaité sur le repose-pied ®. Vérifiez que le clip s'enclenche autour du tube.
2. Poussez le repose-pied dans le guide ④ à l'avant de la pièce latérale jusqu'à ce que la broche du clip © s'engage dans la rainure ①. Le repose-pied ne peut plus être tourné sur le côté.


 La procédure de montage est identique pour le repose-pied droit et gauche.

Réglage de la hauteur des repose-pieds

 Les repose-pieds peuvent être raccourcis si nécessaire (reportez-vous au manuel de maintenance). Le raccourcissement des repose-pieds doit impérativement être confié à un technicien qualifié.

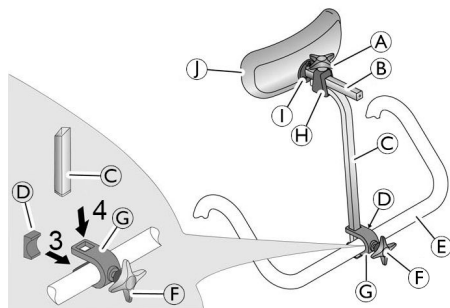
1. Tirez légèrement le repose-pied ® vers le haut.
2. Tirez le clip © hors du trou du repose-pied et réinsérez-le dans le trou souhaité. Ressortez légèrement le repose-pied si nécessaire.
3. Enfoncez le repose-pied jusqu'à ce que la rainure ① s'engage dans la broche du clip.
4. Réglez l'autre repose-pied à la hauteur requise, comme décrit.

Réglage de l'inclinaison des palettes repose-pied


 L'inclinaison des palettes repose-pied peut être réglée de façon variable et progressivement.

1. Desserrez la vis Allen © de la palette repose-pieds à l'aide d'une clé Allen de 4.
2. Tournez la palette repose-pieds ④ à la position requise.
3. Resserrez la vis Allen.

4.2.7 Installation de l'appui-tête




1. Utilisez la molette cannelée ⑥ pour insérer la vis légèrement dans la bride ③.
2. Poussez la bride avec la vis sur la poignée du dossier ⑤ par l'arrière, la vis s'engageant dans le trou de la poignée du dossier.
3. Insérez la plaque ④ par l'avant dans la bride de telle façon que les deux languettes de la plaque soient dirigées l'une en bas et l'autre en haut et que le côté incurvé de la plaque soit en contact avec la poignée du dossier.
4. Poussez le tube de réglage de la hauteur ② par le haut dans les encoches de la bride.
5. Utilisez la molette cannelée pour serrer la vis jusqu'à ce que le tube de réglage de la hauteur soit en place.
6. Poussez le coussin ① et le support de coussin ② sur le support ④ du tube de réglage de la hauteur.
7. Utilisez la molette cannelée ⑥ pour serrer la vis supérieure jusqu'à ce que le support de coussin soit en place.

 Pour ajuster le tube de réglage de la hauteur en fonction de l'utilisateur, il est possible de le monter avec la partie incurvée dirigée vers l'avant ou l'arrière.

Le coussin de l'appui-tête ① peut être retiré et remplacé par des coussins de forme différente (en option). Pour le retirer, desserrez les boulons de fixation ①.

Réglage de la longueur de l'appui-tête

 Les tubes d'appui-tête ② et ③ peuvent être raccourcis si nécessaire (voir le manuel de maintenance) Le raccourcissement du tube de l'appui-tête doit impérativement être confié à un technicien qualifié.

4.2.8 Installation des dispositifs anti-bascule arrière



AVERTISSEMENT ! **Risque de basculement**

Risque de blessure grave sur l'Ocean Dual VIP Ergo lorsque le dossier est incliné. Le fauteuil roulant risque de basculer entièrement vers l'arrière.

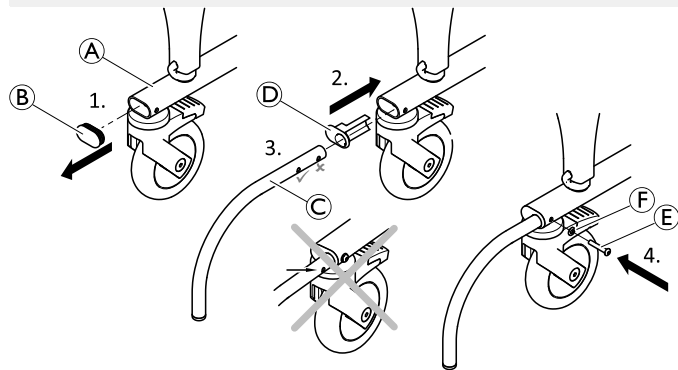
– Avant d'utiliser l'Ocean Dual VIP Ergo, vérifiez que les deux dispositifs anti-bascule arrière sont installés.



AVERTISSEMENT !

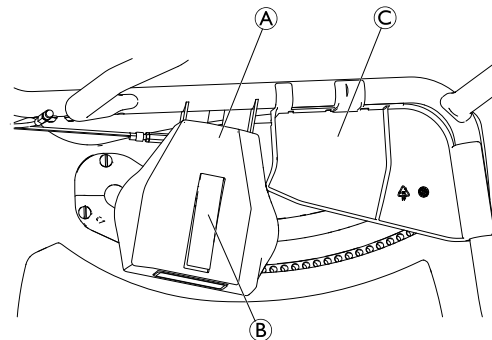
Risque de blessure

– Ne jamais se tenir debout sur les dispositifs anti-bascule.



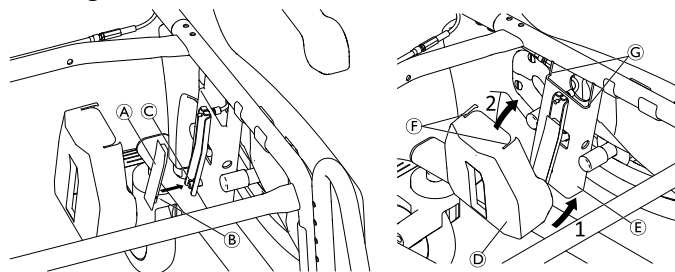
1. Retirez le cache (B) du châssis (A).
2. Fixez le bouchon de montage (D) sur le châssis.
3. Insérez le tube de dispositif anti-bascule (C).
4. Fixez le dispositif anti-bascule en utilisant le deuxième trou et la vis (E) avec la rondelle (F).
5. Installez le deuxième dispositif anti-bascule de l'autre côté.

4.2.9 Installation/démontage des carénages de freins / protection de serrage



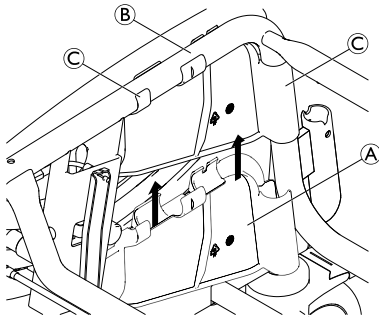
(A)	Carénage du frein
(B)	Carénage du levier de frein
(C)	Protection du serrage

Carénage du frein



1. Fixez la protection du levier de frein (A) en accrochant la fente (B) sur le petit arbre (C).
2. Positionnez la partie inférieure du carénage du frein (D) de façon inclinée, par dessus le boîtier de frein (E).
3. Rabattez la partie supérieure du carénage du frein sur le boîtier de frein, de façon à ce que les encoches (F) soient sur le même plan que les bords (G).
4. Installez le deuxième carénage de frein de l'autre côté.

Protection du serrage



1. Installez la protection du serrage (A) en fixant sur les tubes du châssis (B). Vérifiez que tous les clips (C) sont bien engagés.
2. Installez la deuxième protection de serrage de l'autre côté.

5 Accessoires (en option)

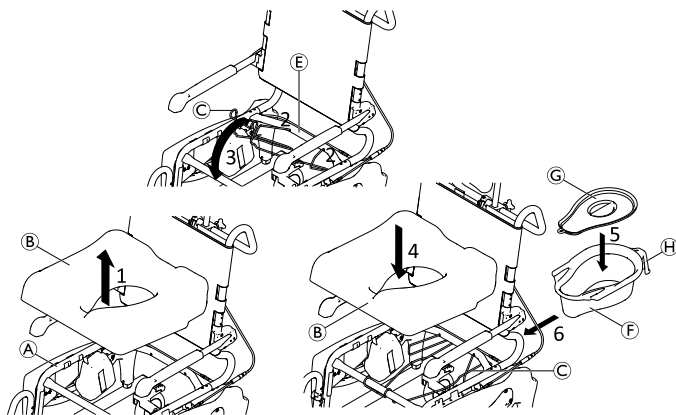



AVERTISSEMENT !

Risque de blessure

– Le montage des accessoires (en option) doit être effectué conformément aux instructions correspondantes.

5.1 Fixation/démontage du support de chaise percée et du pot de toilette



 Le pot de toilette (F) peut être insérée/retirée avec ou sans le couvercle (G).

1. Retirez le siège (B) du châssis (A).
2. Positionnez les extrémités du support de chaise percée (C) dans les trous du tube transversal arrière (E).

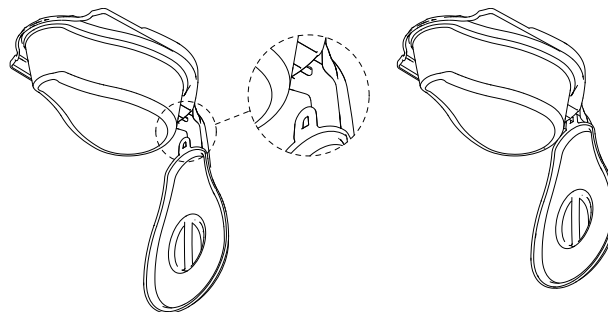
3. Engagez la partie avant du support de chaise percée avec le tube transversal avant (D).
4. Réinstallez le siège sur le châssis.
5. Placez le couvercle ou retirez-le du pot de toilette.
6. Tenez le pot de toilette par sa poignée (H) et insérez par l'arrière entre le support de chaise percée et le siège.



Poussez légèrement vers le bas le pot de toilette lors de l'insertion ou du démontage.



Le couvercle peut être suspendu sur le crochet en plastique situé sur la face inférieure de la poignée du pot de toilette.



La paroi interne du pot de toilette comporte un indicateur de niveau de remplissage.

2.5 l	<input type="checkbox"/>	
2.25 l	<input type="checkbox"/>	
2 l	<input type="checkbox"/>	<input type="checkbox"/>
1.75 l	<input type="checkbox"/>	<input type="checkbox"/>
1.5 l	<input type="checkbox"/>	
1.25 l	<input type="checkbox"/>	
1 l	<input type="checkbox"/>	<input type="checkbox"/>
0.75 l	<input type="checkbox"/>	
0.5 l	<input type="checkbox"/>	
0.25 l	<input type="checkbox"/>	

6 Utilisation

6.1 Informations de sécurité



AVERTISSEMENT !

- Utilisez uniquement la chaise roulante pour douche/toilettes sur une surface plane et à l'intérieur.
- Respectez les spécifications figurant sur l'autocollant d'identification. Ne surchargez pas la chaise roulante pour douche/toilettes.
- Respectez les consignes de sécurité figurant sur les autocollants apposés au dos de l'appui-tête et sur la poignée du dossier *2.2 Étiquettes et symboles figurant sur le produit, page 73*.
- Ne placez pas de poids excessif sur la chaise roulante pour douche/toilettes.
- Effectuez toujours une inspection visuelle du produit afin de déceler toute détérioration avant chaque usage.



AVERTISSEMENT !

Risque de roulement ou de glissement

- Avant utilisation, vérifiez que l'assise est solidement fixée au châssis de l'assise.
- Verrouillez toutes les roulettes à levier à l'aide des pédales avant de vous asseoir sur la chaise roulante pour douche/toilettes ou de vous relever, ainsi qu'en position d'arrêt.



AVERTISSEMENT !

Risque de basculement

- Faites pivoter les repose-pieds sur le côté ou repliez les palettes repose-pieds avant de vous asseoir ou de vous mettre debout.
- Avant de vous asseoir ou de vous mettre debout, tournez les roulettes avant de manière à ce que le blocage soit orienté vers l'avant.
- Ne vous tenez jamais debout sur les repose-pieds.
- Ne vous penchez pas excessivement à l'avant.
- Ne poussez l'utilisateur assis sur la chaise toilettes que lorsque le châssis de l'assise et le dossier sont réglés en position droite.
- Ne transférez l'utilisateur sur ou depuis la chaise toilettes que lorsque le châssis de l'assise et le dossier sont fixés en position droite.
- Ne démontez en aucun cas les ressorts pneumatiques (Ocean Dual VIP Ergo uniquement).



AVERTISSEMENT !

Risque de blessure !

- Avant utilisation du coussin d'assise variable (accessoire en option), les protections latérales (référence AP1605002) doivent être installées.



AVERTISSEMENT !

Risque de basculement vers l'arrière !

- L'Ocean Dual VIP Ergo ne doit être utilisé que si les dispositifs anti-basculer arrière sont installés.

**AVERTISSEMENT !****Risque de basculement**

- La chaise roulante pour douche/toilettes ne doit être déplacée qu'en utilisant la barre de poussée.

**ATTENTION !****Risque de brûlure de la peau**

Les composants du produit peuvent s'échauffer en cas d'exposition à des sources de chaleur externes.

- Faites attention aux surfaces portées à haute température lorsque vous utilisez la chaise roulante pour douche/toilettes dans un sauna ou lorsqu'elle est exposée à de l'eau très chaude.
- N'exposez pas le produit au rayonnement direct du soleil avant de l'utiliser.

**ATTENTION !****Risque de coincement dû au mécanisme d'inclinaison**

- Au moment de basculer le châssis de l'assise, assurez-vous que les bras de l'utilisateur sont placés sur les accoudoirs.
- Vérifiez que la protection du serrage est installée sur le châssis, reportez-vous au chapitre 4.2.9 *Installation/démontage des carénages de freins / protection de serrage, page 84.*

**IMPORTANT !****Risque de rupture de l'appui-tête**

- Orientez ou poussez la chaise roulante pour douche/toilettes uniquement avec la poignée sur le dossier, jamais avec l'appui-tête.

**IMPORTANT !****Risque d'endommagement du produit**

- Ne vous servez pas des repose-pieds, des accoudoirs ou d'un des accessoires pour soulever la chaise roulante pour douche/toilettes.



Dans le cas des utilisateurs présentant un risque élevé de monter sur les repose-pieds (par ex. les personnes atteintes de démence), des dispositifs anti-basculer avant (référence n° AP1603992) sont disponibles en tant qu'accessoires pour empêcher la chaise roulante pour douche/toilettes de basculer en avant.

6.2 Pivot des accoudoirs

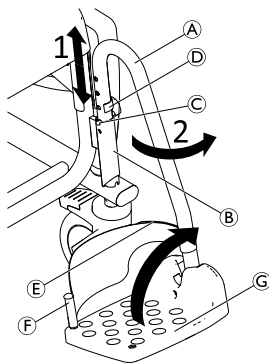


ATTENTION !

Risque de se coincer les doigts dans le mécanisme de pliage

- N'insérez jamais les doigts dans le joint articulé lorsque vous pliez les accoudoirs vers le bas ou vers le haut.
- Ne placez pas les doigts entre les accoudoirs et le dossier lorsque vous pliez les accoudoirs.
- Assurez-vous qu'aucune pièce ne se coince dans les joints.

6.3 Pivot des repose-pieds



Position d'entrée/position de sortie :

1. Tirez légèrement le repose-pied **A** vers le haut dans le guide **B** jusqu'à ce que la broche du clip **D** ne s'engage plus dans la rainure **C**.
2. Faites pivoter le repose-pied sur le côté.

Position de déplacement :



ATTENTION !

Risque d'accident provoqué par un repose-pied ballant

- Fixez que les repose-pieds sont en position de conduite.

1. Faites pivoter le repose-pied **A** vers l'intérieur.
2. Poussez le repose-pied vers le bas jusqu'à ce que la broche du clip **D** s'engage dans la rainure **C**.



Il est aussi possible de faire basculer les palettes repose-pieds **C** vers le haut pour entrer/sortir de la chaise roulante pour douche/toilettes.

Démontage/fixation de la sangle talonnière

1. Ouvrez la bande autoagrippante **E** de la sangle talonnière.
2. Retirez la vis **F** du dessous de la palette repose-pieds.
3. Retirez la sangle talonnière de la broche en plastique flexible.



Pour fixer la boucle, procédez en sens inverse.



Lors de l'installation, assurez-vous que la bande autoagrippante de la sangle talonnière est orientée vers l'arrière.

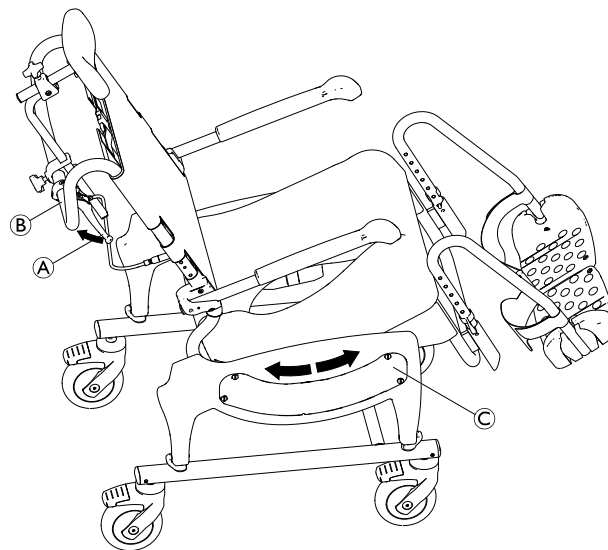
6.4 Inclinaison du châssis de l'assise avec le dossier

! IMPORTANT !

- Ne placez jamais la main dans la zone située entre le châssis de l'assise avec le dossier et le châssis à tubes avant situé entre les pièces latérales lors de l'inclinaison.

Inclinaison vers l'avant/l'arrière

- i Le châssis de l'assise peut être incliné avec le dossier d'env. 40° en arrière.
- i Si les systèmes de blocage des accoudoirs (accessoires en option) sont utilisés et que les accoudoirs sont montés dans la position la plus basse, le siège ne peut pas être incliné complètement en arrière. L'inclinaison maximum est de 35°.
- i Avec les deux hauteurs d'assise les plus basses, il n'est pas possible d'utiliser la plage de réglage complète du repose-pied. Avant utilisation, vérifiez que les repose-pieds ne touchent pas le sol lorsque le siège est incliné vers l'avant. Si nécessaire, réglez à nouveau la hauteur d'assise ou la hauteur du repose-pied en conséquence.



ATTENTION ! Risque de pincement

Vous pouvez vous coincer les doigts ou les mains dans le mécanisme d'inclinaison.

- Avant chaque utilisation, vérifiez que les protections des pièces latérales © du mécanisme d'inclinaison sont correctement montées.

1. Enfoncez les quatre leviers au pied des roulettes pour bloquer celles-ci.
2. Tenez la chaise de douche par sa barre de poussée ②.

3. Tirez sur la poignée d'activation (A) et maintenez-la dans cette position.
4. Réglez l'inclinaison requise en poussant vers le bas ou vers le haut la poignée (B).
5. Relâchez la poignée d'activation et laissez les broches du mécanisme d'inclinaison s'engager dans les trous les plus proches. Le châssis de l'assise est réglé en fonction de l'inclinaison.

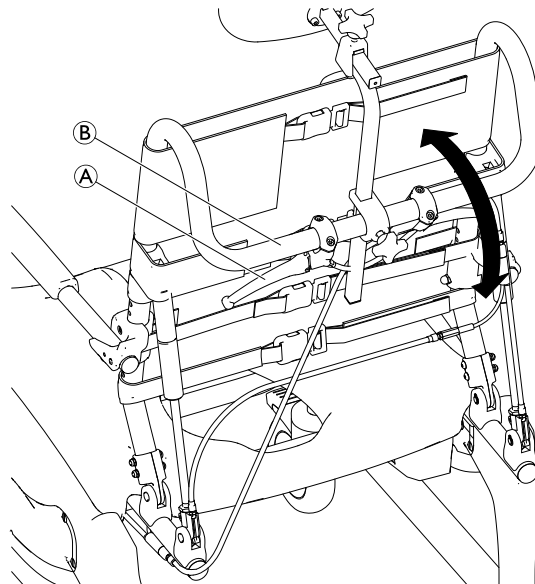
6.5 Inclinaison du dossier (Ocean Dual VIP Ergo uniquement)



ATTENTION !

Risque de coincement des doigts entre le support d'accoudoir et la pièce latérale

- Ne placez jamais la main dans la zone située entre le support d'accoudoir et la pièce latérale lors de l'inclinaison de l'armature du siège vers l'arrière ou de l'abaissement du dossier.
- Lors de l'inclinaison de l'armature du siège ou du dossier, assurez-vous que les bras de l'utilisateur sont placés sur les accoudoirs ou pliés à l'avant du corps.





1. Enfoncez les quatre leviers au pied des roulettes pour bloquer celles-ci.
2. Tenez la chaise de douche par sa barre de poussée (B).
3. Tirez sur la poignée d'activation (A) et maintenez-la dans cette position.



La poignée d'activation est équipée d'un dispositif de blocage. Pour activer la poignée, le dispositif de blocage doit être préalablement tiré.

4. Inclinez le dossier à la position voulue.
5. Libérez la poignée d'activation pour fixer le dossier dans la position actuelle.

 Une force supplémentaire est nécessaire pour incliner vers l'arrière sans utilisateur assis. Inclinaison automatique vers le haut sans utilisateur assis lorsque la poignée d'activation est tirée.

 La roulette équipée d'un levier bleu (en option) sert à embrayer le verrou directionnel pour faciliter un déplacement en ligne droite.

6.6 Embrayage/débrayage des dispositifs de verrouillage des roulettes

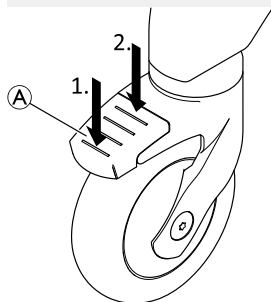


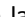
ATTENTION !

Risque de coincement/pincement

Tous les dispositifs de verrouillage des roulettes sont actionnés au pied.

– N'actionnez pas les dispositifs de verrouillage des roulettes avec la main.



1. Pour actionner les dispositifs de verrouillage des roulettes, appuyez avec le pied sur l'extrémité arrière de la pédale  jusqu'à ce qu'elle s'enclenche.
2. Pour déverrouiller les dispositifs de verrouillage des roulettes, appuyez avec le pied sur l'extrémité avant de la pédale A jusqu'à ce qu'elle se libère.

7 Transport

7.1 Informations de sécurité



Il est possible, en vue du transport, de désassembler le produit pour obtenir les composants fournis à la livraison, voir chapitre 3 *Composants et fonction*, page 76.

1. Désassemblez le produit : Reportez-vous au chapitre 4 *Réglages (Mise en service)*, page 78 en procédant dans le sens inverse des étapes de montage.



IMPORTANT !



Risque d'endommagement du produit

- Transportez le produit dans un endroit sec.
- Conservez le produit à l'abri de la lumière directe du soleil.
- Consultez les conditions de stockage et de transport figurant au chapitre 11.3 *Paramètres environnementaux*, page 102



IMPORTANT !



- Des vis/écrous autobloquants ou un adhésif frein-filet sont utilisés pour plusieurs vissages. S'ils sont desserrés, ils doivent être remplacés par de nouveaux écrous/vis autobloquants ou être refixés avec un nouvel adhésif frein-filet.

8 Maintenance

8.1 Maintenance et inspection

Aucune maintenance du produit n'est nécessaire si les instructions de sécurité et de nettoyage indiquées ci-dessous sont respectées.

Pour garantir une bonne performance et la sécurité, les vérifications suivantes doivent être effectuées régulièrement :

- Vérifiez que le produit et les accessoires ne présentent pas de dommages. N'utilisez pas le produit s'il est défectueux.
- Vérifiez la fonction d'inclinaison sur le châssis de l'assise et le dossier (Ocean Dual VIP Ergo). L'inclinaison doit être facile et le verrouillage doit obligatoirement être sécurisé.
- En cas de dommage ou de dysfonctionnement, il est recommandé de contacter le fournisseur.
- Assurez-vous que le produit est monté correctement et que toutes les protections et vis sont bien serrées.



AVERTISSEMENT !

Risque de blessure et de dommage matériel

Si le produit n'est pas ajusté correctement, il peut provoquer des accidents et des blessures graves.

- Le produit doit être réparé par un technicien compétent.
- Les pièces endommagées doivent être remplacées par un technicien qualifié.
- Utilisez uniquement les pièces de rechange originales Invacare.

8.2 Nettoyage et désinfection

Ce produit peut être nettoyé et désinfecté au moyen de produits disponibles dans le commerce.



IMPORTANT !

L'hygiène est cruciale dans les zones sensibles que sont la salle de bains et les toilettes.

- Gardez le produit propre à tout moment et essuyez-le régulièrement.
- Désinfectez régulièrement le produit.

1. Désinfectez le produit en essuyant toutes les surfaces généralement accessibles avec un désinfectant (le cas échéant, après son démontage).



IMPORTANT !

Tous les désinfectants et agents de nettoyage utilisés doivent être efficaces, compatibles entre eux et protéger les surfaces qu'ils sont censés nettoyer. Pour de plus amples informations sur la décontamination dans des environnements médicaux, veuillez vous reporter aux directives du National Institute for Clinical Excellence relatives à la prévention des infections www.nice.org.uk/CG139 et à votre réglementation locale de prévention des infections.

- Nettoyez le produit à la main, en machine ou dans un autoclave.
- Procédez au nettoyage sans produit abrasif.

Nettoyage dans un environnement domestique

1. Retirez les éventuels accessoires montés (uniquement les accessoires qui ne nécessitent pas d'outils).
2. Retirez les repose-pieds des guides.
3. Retirez la plaque d'assise et la toile de dossier.
4. Démontez les carénages de freins et les protections de serrage, reportez-vous au chapitre 4.2.9 *Installation/démontage des carénages de freins / protection de serrage, page 84.*
5. Essuyez les différentes pièces à l'aide d'un chiffon ou d'une brosse et avec des agents de nettoyage et désinfectants disponibles dans le commerce.
6. Rincez ensuite à l'eau chaude.
7. Essuyez les pièces avec un chiffon sec.
8. Assemblez à nouveau le produit ; reportez-vous au chapitre 4, Montage.

Nettoyage dans un environnement clinique



En plus du nettoyage décrit ci-dessus, nous recommandons de nettoyer le produit avant qu'il soit utilisé par un autre patient, à la fin d'une période d'utilisation ou de façon régulière (au premier des deux termes atteint) à

- 90 °C pendant 1 minute
- 85 °C pendant 3 minutes
- 80 °C pendant 10 minutes

à l'autoclave.



ATTENTION !

Risque de brûlure de la peau

– Après le nettoyage, laissez le produit refroidir dans la machine ou l'autoclave.

Nettoyage de la toile de dossier (facultatif)

1. Retirez la toile de dossier.
2. Lavez la toile en machine à une température maximale de 60 °C et avec un détergent doux.



IMPORTANT !

Risque de dommage matériel

- Le lavage à des températures supérieures peut provoquer des dommages.
- Pas de sèche-linge.



IMPORTANT !

Un nettoyage excessif peut endommager le textile.

- Nous recommandons de remplacer la toile de dossier tous les deux ans par mesure d'hygiène.

Nettoyage du pot de toilette (option)

Vous pouvez nettoyer le pot de toilette dans un autoclave en respectant les températures et durées suivantes :

- 90 °C pendant 1 minute
- 85 °C pendant 3 minutes
- 80 °C pendant 10 minutes.

9 Après l'utilisation

9.1 Stockage



AVERTISSEMENT !

Risque d'endommagement du produit

- Entreposez le produit dans un endroit sec.
- N'entreposez pas le produit près de sources de chaleur.
- Conservez le produit à l'abri de la lumière directe du soleil.
- Consultez les conditions de stockage et de transport figurant au chapitre *11.3 Paramètres environnementaux, page 102*



Après une période de stockage prolongée, il est possible qu'une force plus importante soit nécessaire pour déclencher le ressort pneumatique (Ocean Dual VIP Ergo uniquement).

9.2 Réutilisation

Ce produit peut être réutilisé. Le nombre d'utilisations dépend de la fréquence et de la manière dont le produit est utilisé. Avant réutilisation, nettoyez et désinfectez soigneusement le produit (→ *8.2 Nettoyage et désinfection, page 95*) et vérifiez qu'il n'y a pas de dommage et que le montage est correct.

9.3 Mise au rebut

Préservez l'environnement en faisant recycler les différents matériaux et composants de ce produit séparément dans une déchetterie lorsqu'il est arrivé en fin de vie.

La mise au rebut et le recyclage des produits usagés et de l'emballage doivent respecter la législation et les règlements relatifs à la gestion des déchets de chaque pays. Contactez votre organisme local de traitement des déchets pour plus d'informations.

10 Dépannage

10.1 Identification et résolution des pannes



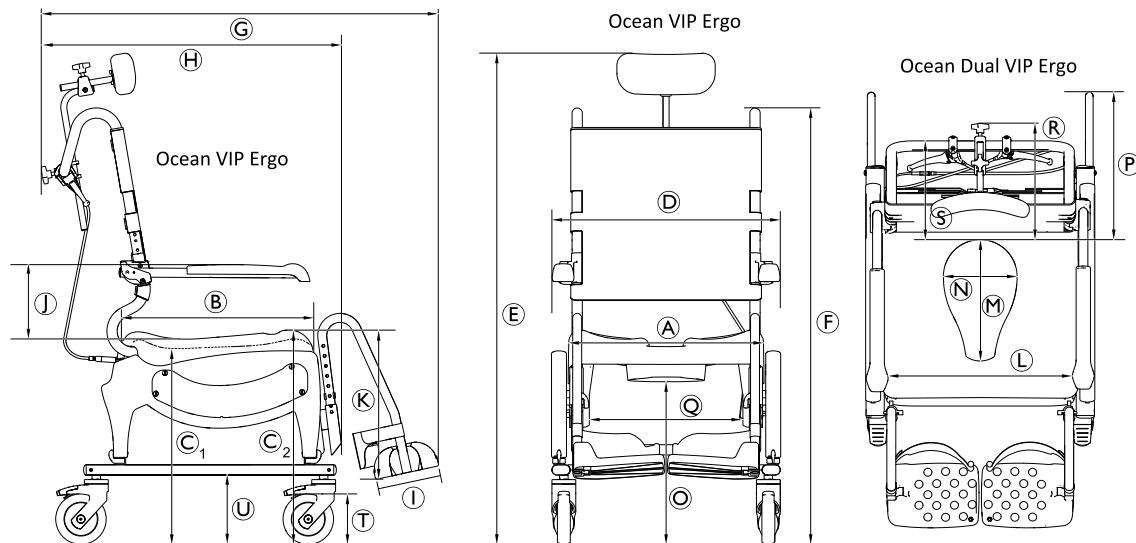
Le tableau suivant fournit des informations sur les défaillances et leurs causes possibles. Si les solutions proposées ne permettent pas de résoudre le problème, veuillez contacter directement votre fournisseur.

Dysfonctionnement	Cause possible	Solution
Difficulté à régler la hauteur d'assise	Saletés entre l'armature du siège et la pièce latérale	Démontez le châssis et nettoyez soigneusement le châssis et la pièce latérale.
Il est difficile, voire impossible de tourner les roulettes	Saletés entre la fourche et la jante	Nettoyez soigneusement les roulettes
Difficulté à pousser les repose-pieds sur le côté	Dépôts dans les guides	Nettoyez soigneusement les repose-pieds et les guides
Impossible d'incliner le châssis de l'assise avec le dossier	Dépôts dans le mécanisme d'inclinaison	Retirez le carénage du frein et la protection du levier de frein et nettoyez soigneusement le mécanisme d'inclinaison.
	Câble Bowden mal ajusté	Le câble Bowden doit être réglé par un technicien qualifié
Force plus importante nécessaire pour déclencher le ressort pneumatique (Dual VIP)	Stockage prolongé	Inclinez plusieurs fois de suite l'assise
Impossible d'incliner le dossier (Dual VIP)	Câble Bowden mal ajusté	Le câble Bowden doit être réglé par un technicien qualifié

Dysfonctionnement	Cause possible	Solution
Bruit de cliquetis pendant l'inclinaison du châssis de l'assise avec dossier.	Câble Bowden mal ajusté	Le câble Bowden doit être réglé par un technicien qualifié
	La poignée d'activation n'est pas complètement tirée	Tirez complètement la poignée d'activation.

11 Caractéristiques Techniques

11.1 Dimensions et poids



	Ocean VIP Ergo	Ocean VIP Ergo XL	Ocean Dual VIP Ergo
(A)		480 mm	
(B)		480 mm	
(C ₁)		475 mm – 600 mm	
(C ₂)		533 mm – 658 mm	
(D)	565 mm	645 mm	565 mm

	Ocean VIP Ergo	Ocean VIP Ergo XL	Ocean Dual VIP Ergo
Ⓔ	env. 1052 mm – 1340 mm (en position d'assise neutre)		
Ⓕ	env. 1052 mm – 1202 mm (en position d'assise neutre)		
Ⓖ	env. 1000 mm		
Ⓗ	env. 742 mm		
Ⓘ	160 mm		
Ⓝ	213 mm / 251 mm / 289 mm		
Ⓚ	319 mm – 469 mm (par incréments de 25 mm)		
Ⓛ	455 mm	535 mm	455 mm
Ⓜ	350 mm (haut) / 300 mm (bas)		
Ⓝ	250 mm (haut) / 182 mm (bas)		
Ⓞ	400 mm – 525 mm		
Ⓟ	—	—	380 mm
Ⓠ	385 mm		
Ⓡ	295 mm		—
Ⓢ	230 mm		—
Ⓣ	Æ 5" (127 mm)		
Ⓤ	172 mm		
Angle d'inclinaison de l'assise	-5° – 40°		
Angle d'inclinaison du dossier	—	—	5° – 35°
Diamètre de braquage	2200 mm		

	Ocean VIP Ergo	Ocean VIP Ergo XL	Ocean Dual VIP Ergo
Largeur de retournement	1140 mm		1290 mm
Poids du produit	23,5 kg	23,5 kg	28,3 kg
Poids maximal de l'utilisateur	150 kg		

11.2 Matériaux

Châssis	Acier inoxydable, poudré
Plaque d'assise	Polypropylène, renforcement fibre de verre
Toile de dossier	Nylon, enduit PVC
Repose-pieds	Polypropylène, renforcement fibre de verre
Garniture d'accoudoirs	Polypropylène
Roulettes	Plastiques et acier inoxydable

Tous les composants du produit sont résistants à la corrosion et exempts de latex de caoutchouc naturel.

11.3 Paramètres environnementaux

Conditions de fonctionnement	
Température ambiante	10 °C - 65 °C
Humidité relative	15 % - 93 %, sans condensation
Pression atmosphérique	795 - 1060 hPa

Conditions de stockage et de transport

Température ambiante	0 °C - 65 °C
Humidité relative	30 % - 75 %, sans condensation
Pression atmosphérique	795 - 1060 hPa

Sommario

Il presente manuale deve essere fornito all'utilizzatore del prodotto. PRIMA di utilizzare il prodotto, È NECESSARIO leggere il presente manuale e conservarlo per poterlo consultare in futuro.

1 Generale	104
1.1 Introduzione	104
1.2 Simboli in questo manuale	104
1.3 Informazioni sulla garanzia	105
1.4 Conformità	105
1.4.1 Norme specifiche di prodotto	105
1.5 Uso previsto	105
1.6 Durata	105
2 Sicurezza	107
2.1 Informazioni per la sicurezza	107
2.2 Etichette e simboli sul prodotto	107
3 Componenti	110
3.1 Panoramica	110
4 Messa in servizio	112
4.1 Informazioni per la sicurezza	112
4.2 Montaggio della carrozzina da doccia e da toilette	112
4.2.1 Regolazione dell'altezza del sedile	112
4.2.2 Montaggio dello schienale	113
4.2.3 Installazione della leva di attivazione	114
4.2.4 Montaggio/smontaggio della piastra del sedile	115
4.2.5 Regolazione dell'altezza dei braccioli	115
4.2.6 Montaggio dei poggiatesta	116
4.2.7 Montaggio del poggiatesta	117
4.2.8 Installazione dei dispositivi antiribaltamento posteriori	117
4.2.9 Installazione/rimozione dei coperchi dei freni / dei coperchi di protezione dei dispositivi di fissaggio	118

5 Accessori (opzionali)	120
5.1 Inserimento/rimozione del supporto della padella e della padella	120
6 Uso	121
6.1 Informazioni per la sicurezza	121
6.2 Rotazione dei braccioli	122
6.3 Rotazione dei poggiatesta	123
6.4 Inclinazione del telaio del sedile con lo schienale	123
6.5 Inclinazione dello schienale (solo Ocean Dual VIP Ergo)	125
6.6 Innesco/disinnesto dei dispositivi di bloccaggio delle ruote orientabili	126
7 Trasporto	127
7.1 Informazioni per la sicurezza	127
8 Manutenzione	128
8.1 Manutenzione e controllo	128
8.2 Pulizia e disinfezione	128
9 Dopo l'utilizzo	130
9.1 Conservazione	130
9.2 Riutilizzo	130
9.3 Smaltimento	130
10 Guida alla soluzione dei problemi	131
10.1 Identificazione e riparazione dei guasti	131
11 Dati Tecnici	133
11.1 Dimensioni e peso	133
11.2 Materiali	135
11.3 Parametri ambientali	135

1 Generale

1.1 Introduzione

Il presente manuale d'uso contiene informazioni importanti sulla gestione del prodotto. Per garantire un utilizzo sicuro del prodotto, leggere attentamente il manuale d'uso e seguire le istruzioni di sicurezza.

Si noti che alcune sezioni contenute nel presente manuale d'uso potrebbero non riguardare il proprio prodotto, in quanto il presente manuale si applica a tutti i modelli disponibili (alla data di stampa). Se non specificato diversamente, ogni sezione di questo manuale si riferisce a tutti i modelli del prodotto.

I modelli e le configurazioni disponibili nel proprio paese sono riportati nei listini prezzi specifici per paese.

Invacare si riserva il diritto di modificare le specifiche del prodotto senza ulteriore preavviso.

Prima di leggere il presente manuale, verificare di essere in possesso dell'ultima versione, che può essere scaricata dal sito web Invacare sotto forma di PDF.

Se si ritiene che la dimensione dei caratteri nella versione cartacea del Manuale d'uso sia di difficile lettura, è possibile scaricare la versione PDF dal sito web. Il PDF può essere ingrandito sullo schermo in modo da ottenere una dimensione dei caratteri più facile da leggere.

Per ulteriori informazioni sul prodotto, ad esempio le note sulla sicurezza del prodotto e i richiami di prodotti, si prega di contattare il proprio rappresentante Invacare. Vedere gli indirizzi alla fine del presente documento.

1.2 Simboli in questo manuale

Il presente manuale contiene simboli di avvertimento per indicare eventuali pericoli. Tali simboli sono accompagnati da un'intestazione che indica la gravità del pericolo.



ATTENZIONE

Indica una situazione di pericolo che, se non evitata, potrebbe essere causa di morte o lesioni gravi.



AVVERTENZA

Indica una situazione di pericolo che, se non evitata, potrebbe essere causa di lesioni minori o leggere.



IMPORTANTE

Indica una situazione di pericolo che, se non evitata, potrebbe essere causa di danni al prodotto.



Consigli e raccomandazioni

Indica consigli, raccomandazioni e informazioni utili per un uso efficace e senza inconvenienti.



Questo prodotto è conforme alla direttiva 93/42/CEE relativa ai dispositivi medici. La data di lancio di questo prodotto è indicata nella dichiarazione di conformità CE.



Produttore del prodotto.

1.3 Informazioni sulla garanzia

Offriamo una garanzia del produttore per il prodotto in conformità di quanto indicato sui Termini e le condizioni generali di vendita applicabili nei rispettivi paesi.

La garanzia può essere fatta valere solo attraverso il fornitore presso il quale è stato acquistato il prodotto.

1.4 Conformità

La qualità è fondamentale perché l'azienda operi nel rispetto e nell'ambito della norma ISO 13485.

Il prodotto è dotato di marchio CE, in conformità con la Direttiva 93/42/CEE concernente i dispositivi medici della classe 1.

Lavoriamo costantemente per garantire che l'impatto ambientale dell'azienda a livello locale e globale sia ridotto al minimo.

Garantiamo di utilizzare esclusivamente materiali e componenti conformi alla direttiva REACH.

1.4.1 Norme specifiche di prodotto

Il prodotto è stato testato ed è conforme alla norma ISO 17966 (Ausili per l'igiene personale per il sostegno degli utilizzatori) e alle norme correlate. Ciò include le prove relative all'infiammabilità. Non si verifica alcuna accensione a causa della combustione progressiva o dell'accensione di fiamma.

Per ulteriori informazioni sulle norme e le disposizioni locali, contattare il rappresentante locale Invacare. Vedere gli indirizzi alla fine del presente documento.

1639504-C

1.5 Uso previsto

La carrozzina da doccia e da toilette è concepita esclusivamente come ausilio per la doccia o il bagno, per l'utilizzo del WC e durante le pratiche di igiene personale (ad esempio, davanti al lavabo) o per lo spostamento dei pazienti in ambienti al coperto. È destinata all'uso da parte di pazienti giovani o adulti, con o senza l'assistenza di un infermiere, che presentano:

- difficoltà a stare in piedi o a mantenere l'equilibrio
- gambe deboli o disabilità agli arti inferiori
- condizioni mediche tali da pregiudicare l'equilibrio

Il prodotto è destinato all'uso in un ambiente domestico e ospedaliero. Qualsiasi altro uso è vietato.



ATTENZIONE!

Pericolo di lesioni

- Non utilizzare mai il prodotto come ausilio per entrare o uscire da una vasca da bagno, per salire o scendere, come supporto o per scopi simili.
- Non utilizzare il prodotto all'aperto.

Come carrozzina da toilette, è possibile utilizzare il prodotto su un WC standard o in modo indipendente con la padella (opzionale).

Temperatura per l'utilizzo: 10 - 65 °C

1.6 Durata

La durata prevista per questo prodotto è di cinque anni, a condizione che sia utilizzato quotidianamente e in conformità

alle istruzioni per la sicurezza, seguendo gli intervalli di manutenzione e le indicazioni per un uso corretto come indicato nel presente manuale. La durata effettiva può variare a seconda della frequenza e dell'intensità d'uso.

2 Sicurezza

2.1 Informazioni per la sicurezza



ATTENZIONE!

Pericolo di lesioni o danni

- Non usare questo prodotto o nessun altro dispositivo opzionale disponibile senza prima aver letto attentamente e compreso fino in fondo le presenti istruzioni e ogni altro materiale informativo come il manuale d'uso, il manuale per la manutenzione o i fogli di istruzione forniti con questo prodotto o con i dispositivi opzionali.
- Qualora alcune avvertenze, precauzioni o istruzioni fossero di difficile comprensione, contattare un operatore sanitario, il fornitore Invacare o un tecnico qualificato prima di iniziare a utilizzare questa apparecchiatura.



ATTENZIONE!

Pericolo di lesioni

- Non salire in piedi sul prodotto.
- Non utilizzare come ausilio per arrampicarsi.
- Non utilizzare all'aperto.



ATTENZIONE!

Pericolo di lesioni

- Non utilizzare se difettoso.
- In caso di malfunzionamento, contattare immediatamente il fornitore.
- Non apportare modifiche o alterazioni non autorizzate al prodotto.
- Utilizzare solo gli accessori destinati a questo prodotto.



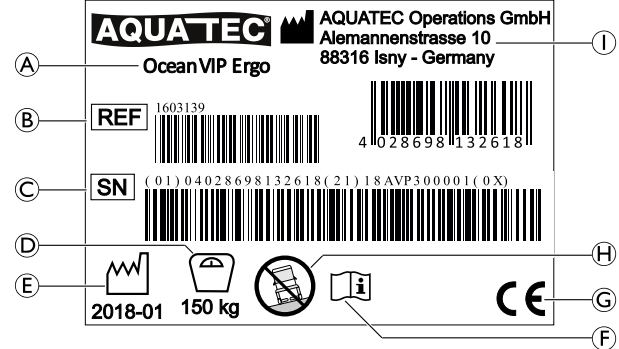
IMPORTANTE!

Le informazioni contenute nel presente manuale possono essere modificate senza preavviso.

2.2 Etichette e simboli sul prodotto

Etichetta modello

L'etichetta modello riporta informazioni importanti:



Ⓐ	Denominazione del prodotto
Ⓑ	Codice di riferimento
Ⓒ	Numero di serie
Ⓓ	Peso max. utilizzatore
Ⓔ	Data di produzione
Ⓕ	Leggere il manuale d'uso
Ⓖ	Contrassegno di conformità
Ⓗ	Nota (utilizzare solo su superfici piane)
Ⓘ	Indirizzo del produttore




L'etichetta modello è attaccata sul lato interno della parte laterale sinistra.

Etichette sul prodotto

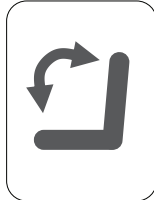
La seguente etichetta è attaccata sul retro del poggiatesta:	
Etichetta	Descrizione
	<p>ATTENZIONE!</p> <p>Rischio di urto</p> <p>Il corpo dell'assistente può venire colpito dallo schienale o dal poggiatesta durante l'azionamento della leva di attivazione.</p> <p>– Assicurarsi che durante il basculamento della carrozzina vi sia uno spazio sufficiente tra l'assistente e lo schienale o il poggiatesta.</p>

La seguente etichetta è attaccata sulla maniglia dello schienale:

Etichetta	Descrizione
	<p>ATTENZIONE!</p> <p>Rischio di ribaltamento</p> <ul style="list-style-type: none"> – Non salire sul poggiatesta salendo o scendendo dalla carrozzina da doccia e da toilette. – Ruotare lateralmente i poggiatesta o piegare verso l'alto le pedane prima di salire o scendere dalla carrozzina da doccia e da toilette. – Prima di sedersi o di alzarsi, ruotare le ruote orientabili in modo che il dispositivo di bloccaggio sia rivolto in avanti. – Non sporgersi troppo in avanti quando si è seduti sulla carrozzina da doccia e da toilette.

Le seguenti etichette sono attaccate sulle leve di attivazione:

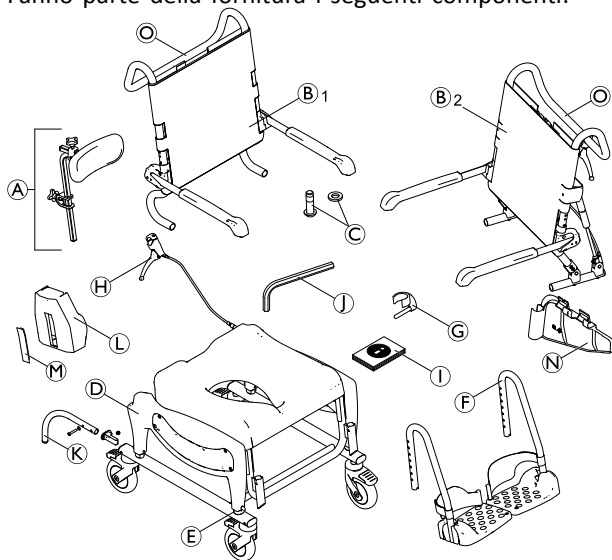
Etichetta	Descrizione
-----------	-------------

	<p>Leva di attivazione per il basculamento.</p>
	<p>Leva di attivazione solo per l'inclinazione dello schienale.</p>

3 Componenti

3.1 Panoramica

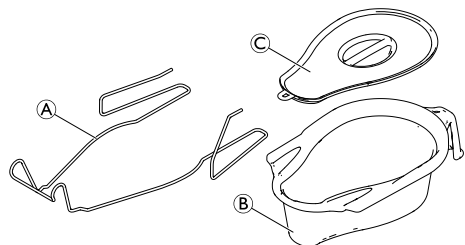
Fanno parte della fornitura i seguenti componenti:



(A)	Poggiatesta
(B ₁)	Ocean VIP Ergo: Schienale con rivestimento e braccioli
(B ₂)	Ocean Dual VIP Ergo: Schienale con rivestimento, braccioli e leva di attivazione per l'inclinazione dello schienale

(C)	Viti (4x) e rondelle (4x) per il fissaggio dello schienale
(D)	Telaio del sedile con piastra del sedile ed elementi laterali con telaio della base e ruote orientabili
(E)	Fermi (4x) per la regolazione dell'altezza
(F)	Poggipiedi con cinturini per caviglie (2x)
(G)	Morsetti (2x) per poggipiedi
(H)	Leva di attivazione per il basculamento
(I)	Manuale d'uso
(J)	Chiave a brugola
(K)	Dispositivo antiribaltamento posteriore con vite, rondella e cappuccio di fissaggio (2x) (solo Ocean Dual VIP Ergo)
(L)	Coperchio del freno (2x)
(M)	Coperchio della leva del freno (2x)
(N)	Coperchio di protezione dei dispositivi di fissaggio (2x)
(O)	Barra di spinta

Accessorio - supporto per padella con padella



(A)	Supporto per padella
(B)	Padella
(C)	Coperchio

4 Messa in servizio

4.1 Informazioni per la sicurezza



ATTENZIONE!

- Prima della messa in servizio, verificare che le parti non presentino danni dovuti al trasporto e contattare il fornitore, se necessario.
- Assicurarsi che durante il montaggio le parti siano posizionate correttamente l'una rispetto all'altra.
- In diversi punti di giuntura sono impiegati dadi, viti autobloccanti o adesivo per filettature. Qualora questi elementi risultino allentati, è necessario sostituirli con nuove viti/dadi autobloccanti oppure fissarli con nuovo adesivo per filettature.

4.2 Montaggio della carrozzina da doccia e da toilette

Questa sezione descrive il montaggio. Lo smontaggio avviene nell'ordine inverso.



È necessario regolare l'altezza dei braccioli, l'altezza del poggiatesta, l'angolazione del poggiatesta, il poggiatesta, il cinturino per caviglie, la tensione del rivestimento dello schienale e gli accessori in modo che si adattino in modo ottimale all'utilizzatore.

4.2.1 Regolazione dell'altezza del sedile

Questa sezione descrive il montaggio. Lo smontaggio avviene nell'ordine inverso.

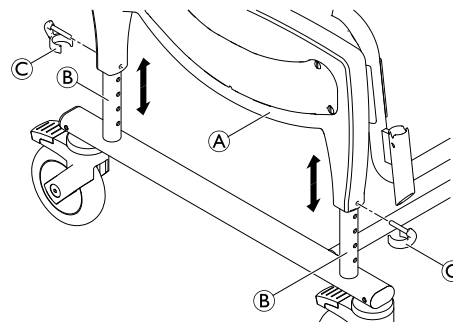


ATTENZIONE!

- Non regolare l'altezza del sedile della carrozzina da doccia e da toilette mentre questa è occupata dall'utilizzatore.



L'altezza del sedile deve essere regolata contemporaneamente su entrambi i lati.



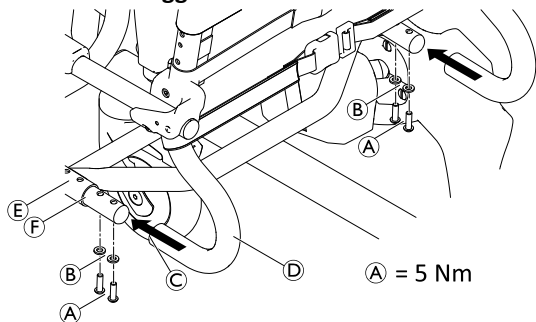
1. Sollevare leggermente la carrozzina da doccia e da toilette afferrandola per il telaio del sedile (A).
2. Rimuovere i quattro fermi (C) (due per ciascun lato).
3. Impostare l'altezza corretta spostando contemporaneamente verso l'alto o verso il basso il telaio del sedile sui quattro tubi (B) del telaio della base.
4. Allineare i supporti dei fermi sull'elemento laterale con un foro presente nel telaio della base.
5. Inserire i quattro fermi dall'esterno nell'elemento laterale, finché i bordi dei fermi non avvolgono il tubo del telaio della base (B).

**ATTENZIONE!****Pericolo di lesioni**

- Assicurarsi che tutti e quattro i fermi siano serrati saldamente.
- Verificare che tutte e quattro i tubi siano regolati alla stessa altezza.



L'altezza del sedile può essere regolata per adattarsi a diverse situazioni di utilizzo, ad esempio per il trasferimento da un letto o da una carrozzina oppure per l'uso sopra una toilette, ecc.

4.2.2 Montaggio dello schienale

1. Spingere verso il basso tutti e quattro i pedali per bloccare le ruote orientabili.
2. Spingere lo schienale **D** da dietro nel telaio del sedile **E** fino a che la fascetta **C** non tocca il tubo del telaio del sedile **F**.

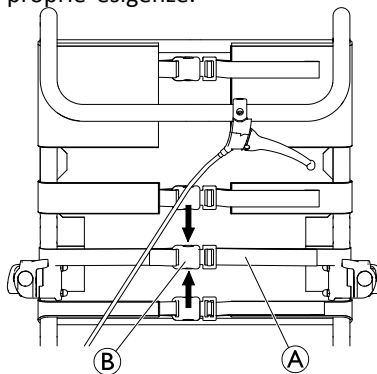
**IMPORTANTE!**

- Serrare saldamente le viti con la chiave a brugola in dotazione.
- Controllare le viti regolarmente per assicurarsi che siano ben fissate.

3. Posizionare una rondella **B** su ogni vite **A** e fissare lo schienale su entrambi i lati.
4. Serrare le viti con una coppia di 5 Nm.

Regolazione del rivestimento dello schienale

È possibile regolare la tensione dello schienale in base alle proprie esigenze.

**ATTENZIONE!**

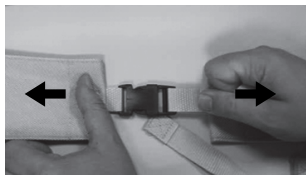
- Assicurarsi che almeno tre cinture siano sempre fatte passare intorno al lato esterno del telaio dello schienale e che le relative fibbie siano fissate.

Tensionamento:

1. Tirare le cinture (A) per tendere maggiormente il rivestimento dello schienale.

Allentamento:

1. Aprire le fibbie (B) premendo le alette di fissaggio (come indicato dalle frecce).
2. Spingere leggermente all'indietro le cinture attraverso la fibbia.
3. Serrare le fibbie delle cinture.
4. Tirare nuovamente le cinture con delicatezza.



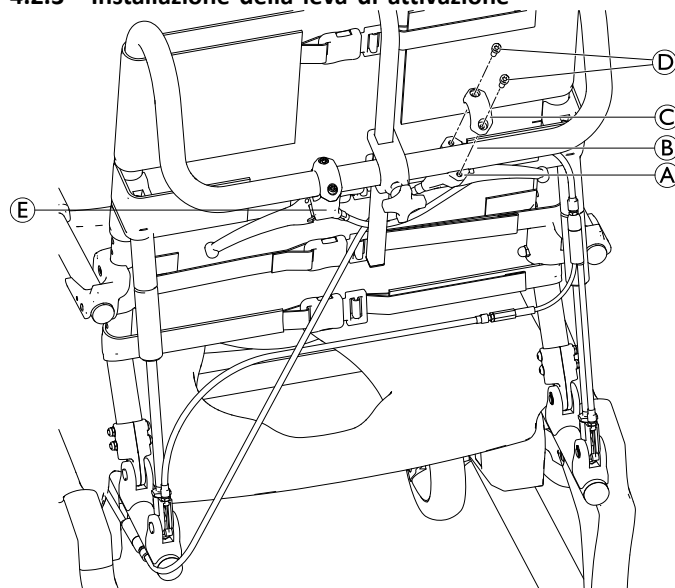
ATTENZIONE!

Pericolo di lesioni dovute a fibbie dello schienale danneggiate!

Verificare che le fibbie dello schienale siano saldamente fissate ogni volta che il prodotto viene sottoposto a manutenzione e con cadenza annuale.

- Controllare che tutti i fermi delle fibbie siano fissati in modo sicuro chiudendo le fibbie e tirando da entrambe le estremità.
- Sostituire lo schienale o le fibbie dello schienale se una fibbia si apre quando è sottoposta alla forza applicata.

4.2.3 Installazione della leva di attivazione




1. Rimuovere la parte di serraggio (C) dalla leva di attivazione (A) allentando le viti (D).
2. Posizionare la leva di attivazione (A) per il basculamento sulla parte inferiore destra del tubo della maniglia (B).



La leva deve essere ruotata leggermente all'interno verso lo schienale.

3. Installare la leva di attivazione sul tubo della maniglia servendosi della parte di serraggio (C) e delle viti (D).

 Per Ocean Dual VIP Ergo, la leva di attivazione **E** per l'inclinazione dello schienale è già montata sul lato destro del tubo della maniglia. Se necessario, è possibile modificare la posizione della leva di attivazione.

4.2.4 Montaggio/smontaggio della piastra del sedile

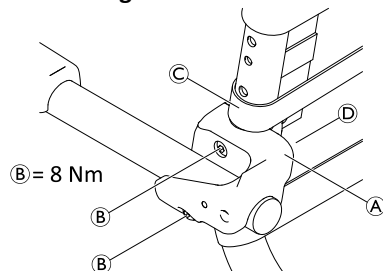
Montaggio:

1. Posizionare la piastra del sedile sul telaio del sedile con l'apertura rivolta in avanti.
2. Con la mano aperta, spingere la piastra del sedile verso il basso sui lati e sulla parte anteriore e posteriore fino a far scattare la piastra del sedile bloccandola nel telaio del sedile.


Smontaggio:

1. Sollevare la piastra del sedile nella parte posteriore.


4.2.5 Regolazione dell'altezza dei braccioli




1. Sul rivestimento dello schienale, aprire la seconda cintura dal basso **C** e allentare le altre cinture.

 I dadi sono inseriti nel fermo di fissaggio senza essere serrati, pertanto possono cadere.

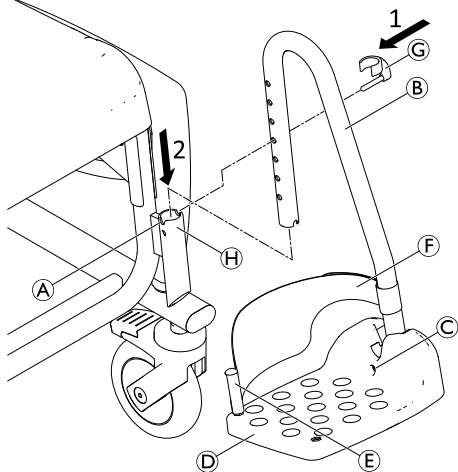
2. Svitare le viti **B** della staffa del bracciolo **A** servendosi della chiave a brugola in dotazione.
3. Estrarre il fermo di fissaggio **D** con i dadi dal telaio dello schienale.
4. Rimuovere la staffa dello schienale **A** con il bracciolo e spostarla verso l'alto.

 Il foro più piccolo serve a bloccare il fermo di fissaggio.


5. Inserire le viti nella staffa del bracciolo e guidarle attraverso i fori nel telaio dello schienale.
6. Se necessario, inserire nuovamente i dadi nel fermo di fissaggio.
7. Posizionare il fermo di fissaggio sul telaio dello schienale inserendo il perno di fissaggio nel foro più piccolo.
8. Girare le viti nei dadi e serrare.
9. A seconda dell'altezza del bracciolo, far passare la seconda cintura dal basso sul lato esterno o interno del telaio dello schienale, bloccarla e stringere tutte le cinture.
10. La procedura di regolazione dell'altezza è identica per il bracciolo destro e sinistro.

 Per collegare gli accessori, la seconda cintura dal basso può essere aperta e il rivestimento dello schienale può essere fatto passare sul lato interno del telaio dello schienale.


4.2.6 Montaggio dei poggiapiedi



1. Inserire il perno del morsetto ③ dall'esterno nel foro richiesto sul poggiapiedi ②. Assicurarsi che il morsetto si innesti intorno al tubo.
2. Spingere il poggiapiedi nella guida ④ nella parte anteriore dell'elemento laterale finché il perno del morsetto ③ si innesta nella scanalatura ①. Il poggiapiedi non può più essere girato lateralmente.


 La procedura di montaggio è identica per i poggiapiedi destro e sinistro.

Regolazione dell'altezza dei poggiapiedi

 Se necessario, i poggiapiedi possono essere accorciati (consultare il manuale per la manutenzione). L'accorciamento dei poggiapiedi deve essere eseguito da un tecnico qualificato.

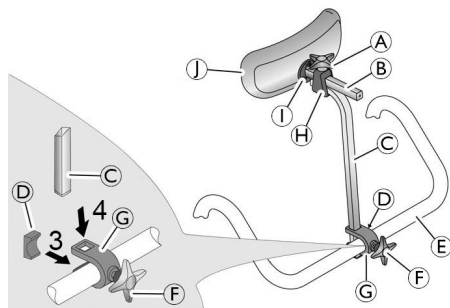
1. Tirare leggermente verso l'alto il poggiapiedi ②.
2. Estrarre il morsetto ③ dal foro del poggiapiedi e reinserirlo nel foro richiesto. Se necessario, estrarre leggermente ancora un po' il poggiapiedi.
3. Spingere il poggiapiedi verso il basso affinché la scanalatura ① si innesti sul perno del fermo.
4. Regolare l'altro poggiapiedi all'altezza richiesta, come descritto.

Regolazione dell'inclinazione delle pedane poggiapiedi


 L'inclinazione delle pedane può essere regolata all'infinito in modo variabile.

1. Allentare la vite a brugola ③ sulla pedana servendosi di una chiave a brugola da 4.
2. Portare la pedana ④ nella posizione richiesta.
3. Stringere nuovamente la vite a brugola.

4.2.7 Montaggio del poggiatesta




1. Utilizzare la manopola a stella (F) per avvitare leggermente la vite nella staffa (G).
2. Spingere la staffa con la vite sulla maniglia dello schienale (E) dal retro, in modo che la vite si innesti nel foro sulla maniglia dello schienale.
3. Inserire la piastra (D) nella staffa dalla parte anteriore in modo che entrambe le alette della piastra siano rivolte verso l'alto e verso il basso e il lato curvo della piastra entri in contatto con la maniglia dello schienale.
4. Inserire il tubo per la regolazione dell'altezza (C) spingendolo dall'alto negli alloggiamenti della staffa.
5. Utilizzare la manopola a stella per serrare a fondo la vite fino a fissare in posizione il tubo per la regolazione dell'altezza.
6. Inserire il cuscino (I) e il relativo supporto (B) nel sostegno (H) presente sul tubo per la regolazione dell'altezza.
7. Utilizzare la manopola a stella (A) per serrare la vite superiore fino a fissare in posizione il supporto del cuscino.

 Per un migliore adattamento all'utilizzatore, il tubo per la regolazione dell'altezza può essere montato con la parte curva rivolta in avanti o indietro.

Il cuscino del poggiatesta (I) può essere rimosso e sostituito con altre forme di cuscino (opzionali). Per rimuoverlo, allentare i bulloni di fissaggio (I).

Regolazione della lunghezza del poggiatesta

 Se necessario, i tubi del poggiatesta (C) e (B) possono essere accorciati (consultare il manuale per la manutenzione). L'accorciamento del tubo del poggiatesta deve essere eseguito da un tecnico qualificato.

4.2.8 Installazione dei dispositivi antiribaltamento posteriori



ATTENZIONE! **Rischio di ribaltamento**

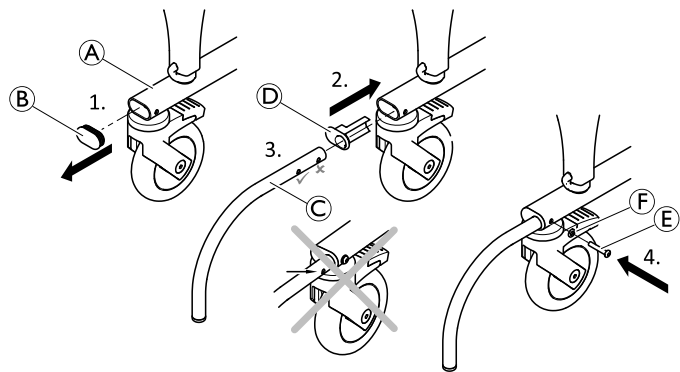
Pericolo di lesioni gravi per l'utilizzatore di Ocean Dual VIP Ergo quando lo schienale è inclinato. L'intera carrozzina può inclinarsi all'indietro.

- Prima di utilizzare Ocean Dual VIP Ergo, assicurarsi che siano installati entrambi i dispositivi antiribaltamento posteriori.



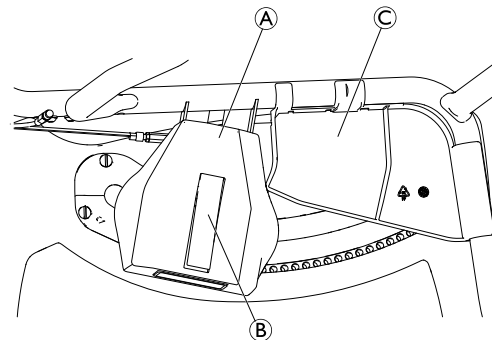
ATTENZIONE! **Pericolo di lesioni**

- Non salire sui dispositivi antiribaltamento.



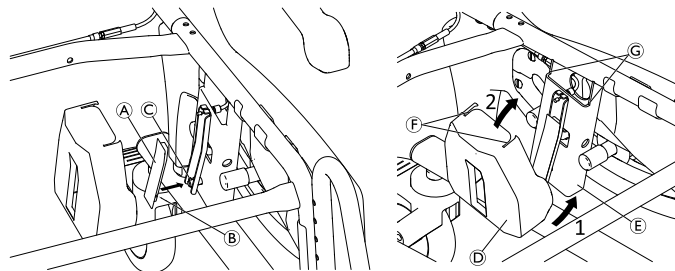
1. Rimuovere il cappuccio di protezione (B) dal telaio della base (A).
2. Applicare il cappuccio di fissaggio (D) al telaio della base.
3. Inserire il tubo antiribaltamento (C).
4. Fissare il dispositivo antiribaltamento al secondo foro con la vite (E) e la rondella (F).
5. Installare il secondo dispositivo antiribaltamento sull'altro lato.

4.2.9 Installazione/rimozione dei coperchi dei freni / dei coperchi di protezione dei dispositivi di fissaggio



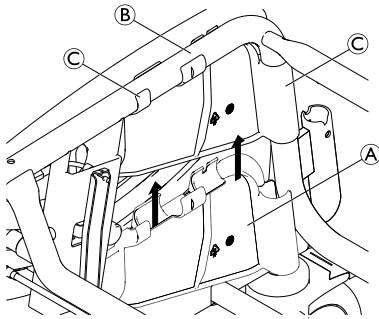
(A)	Coperchio del freno
(B)	Coperchio della leva del freno
(C)	Coperchio di protezione dei dispositivi di fissaggio

Coperchio del freno



1. Applicare il coperchio della leva del freno **A** accoppiando la scanalatura **B** con il piccolo perno **C**.
2. Posizionare la parte inferiore del coperchio del freno **D** in senso obliquo dal basso sull'alloggiamento del freno **E**.
3. Inclinare la parte superiore del coperchio del freno verso l'alloggiamento del freno in modo che le rientranze **F** siano a filo con i bordi **G**.
4. Installare il secondo coperchio del freno sull'altro lato.

Coperchio di protezione dei dispositivi di fissaggio



1. Installare il coperchio di protezione dei dispositivi di fissaggio **A** innestandolo sui tubi del telaio **B**. Assicurarsi che tutti i fermi **C** siano serrati saldamente.
2. Installare il secondo coperchio di protezione dei dispositivi di fissaggio sull'altro lato.

5 Accessori (opzionali)

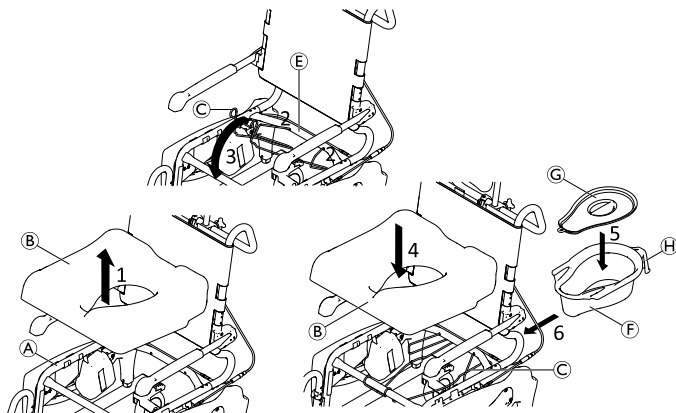


ATTENZIONE!

Pericolo di lesioni

– Il montaggio degli accessori deve essere eseguito seguendo le relative istruzioni.

5.1 Inserimento/rimozione del supporto della padella e della padella



i La padella (F) può essere inserita/rimossa con o senza il coperchio (G).

1. Rimuovere il sedile (B) dal telaio (A).
2. Posizionare le estremità del supporto della padella (C) nei fori del tubo trasversale posteriore (E).
3. Innestare la parte anteriore del supporto della padella nel tubo trasversale anteriore (D).

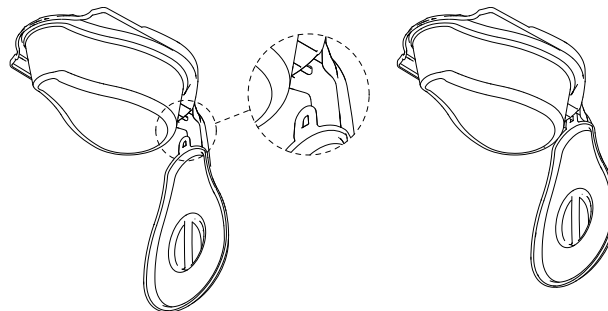
4. Reinscrivere il sedile nel telaio.
5. Mettere il coperchio sulla padella o toglierlo.
6. Tenere la padella per l'impugnatura (H) e inserirla dal retro tra il supporto della padella e il sedile.



Premere leggermente la padella verso il basso quando la si inserisce o la si rimuove.



Il coperchio può essere appeso al gancio di plastica sul lato inferiore dell'impugnatura della padella.



Sulla parete interna della padella è presente un indicatore del livello di riempimento.

2.5 l	—	□
2.25 l	—	□
2 l	—	□
1.75 l	—	□
1.5 l	—	□
1.25 l	—	□
1 l	—	□
0.75 l	—	□
0.5 l	—	□
0.25 l	—	□

6 Uso

6.1 Informazioni per la sicurezza



ATTENZIONE!

- Utilizzare la carrozzina da doccia e da toilette solo su una superficie piana e al coperto.
- Rispettare le specifiche riportate sull'etichetta modello. Non sovraccaricare la carrozzina da doccia e da toilette.
- Rispettare le etichette di sicurezza sul retro del poggiatesta e sulla maniglia dello schienale, 2.2 *Etichette e simboli sul prodotto, pagina 107*
- Non collocare pesi eccessivi sulla carrozzina da doccia e da toilette.
- Prima di ogni utilizzo, effettuare sempre un controllo visivo per verificare che il prodotto non presenti danni esterni.



ATTENZIONE!

Rischio di scivolamento e ribaltamento

- Prima dell'utilizzo, assicurarsi che il sedile sia fissato saldamente al relativo telaio.
- Bloccare tutte le ruote orientabili con le levette a pedale prima di sedersi o di alzarsi dalla carrozzina da doccia e da toilette, anche nella posizione di stazionamento.



ATTENZIONE!

Rischio di ribaltamento

- Ruotare lateralmente i poggiapiedi o ripiegare le pedane verso l'alto prima di sedersi o di alzarsi in piedi.
- Prima di sedersi o di alzarsi, ruotare le ruote orientabili anteriori in modo che il dispositivo di bloccaggio sia rivolto in avanti.
- Non salire sui poggiapiedi.
- Non sporgersi eccessivamente in avanti.
- Spingere l'utilizzatore seduto sulla carrozzina da doccia e da toilette solo quando sedile e schienale sono posti in posizione verticale.
- Spostare l'utilizzatore dalla o sulla carrozzina da doccia e da toilette solo quando sedile e schienale sono posti in posizione verticale.
- Non rimuovere mai le molle a gas (solo Ocean Dual VIP Ergo).



ATTENZIONE!

Pericolo di lesioni!

- Prima di utilizzare il sedile morbido variabile (accessorio opzionale), è necessario montare i coperchi laterali (codice prodotto AP1605002).



ATTENZIONE!

Rischio di ribaltamento all'indietro!

- Ocean Dual VIP Ergo deve essere utilizzato solo se sono stati installati i dispositivi antiribaltamento posteriori.



ATTENZIONE!

Rischio di ribaltamento

- La carrozzina da doccia e da toilette deve essere spostata esclusivamente utilizzando la barra di spinta.



AVVERTENZA!

Rischio di ustioni della pelle

- I componenti del prodotto possono riscaldarsi se esposti a fonti di calore esterne.
- Tenere conto che le superfici che si riscaldano quando si utilizza la carrozzina da doccia e da toilette nella sauna o sotto l'acqua calda.
 - Non esporre il prodotto alla luce diretta del sole prima dell'uso.



AVVERTENZA!

Rischio di intrappolamento dovuto al meccanismo di inclinazione

- Durante l'inclinazione del telaio del sedile, assicurarsi che le braccia dell'utilizzatore siano poggiate sui braccioli.
- Assicurarsi che sul telaio sia montato il coperchio di protezione dei dispositivi di fissaggio, come illustrato nel capitolo 4.2.9 *Installazione/rimozione dei coperchi dei freni / dei coperchi di protezione dei dispositivi di fissaggio, pagina 118*



IMPORTANTE!

Pericolo di rottura del poggiatesta

- Sterzare o spingere la carrozzina da doccia e da toilette servendosi esclusivamente della maniglia sullo schienale, mai del poggiatesta.



IMPORTANTE!

Rischio di danni al prodotto

- Non sollevare la carrozzina da doccia e da toilette tramite i poggiatesta, i braccioli o uno qualsiasi degli accessori.



Per gli utilizzatori ad alto rischio di alzarsi in piedi sui poggiatesta (ad esempio persone affette da demenza), sono disponibili come accessori dei dispositivi antiribaltamento anteriori (codice prodotto AP1603992) che impediscono alla carrozzina da doccia e da toilette di ribaltarsi in avanti.

6.2 Rotazione dei braccioli

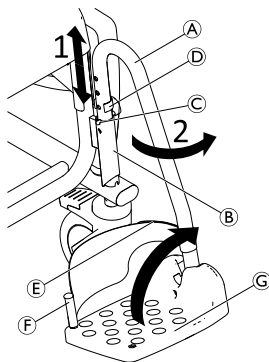


AVVERTENZA!

Rischio di schiacciamento delle dita nel meccanismo di ripiegamento

- Non inserire le dita nelle giunture articolate quando si piegano i braccioli verso l'alto o verso il basso.
- Non inserire le dita tra il bracciolo e lo schienale quando si piegano i braccioli.
- Assicurarsi che nessuna parte venga schiacciata nei punti di snodo.

6.3 Rotazione dei poggiatesta



Posizione di salita/discesa:

1. Tirare leggermente verso l'alto il poggiatesta (A) nella guida (B) fino a disinnestare il perno del morsetto (C) dalla scanalatura (D).
2. Ruotare lateralmente il poggiatesta.

Posizione di guida:



AVVERTENZA!

Pericolo di incidenti a causa di un poggiatesta allentato

– Fissare i poggiatesta nella posizione di guida.

1. Ruotare il poggiatesta (A) verso l'interno.
2. Spingere il poggiatesta verso il basso affinché il perno del morsetto (C) si innesti nella scanalatura (D).



In alternativa, è possibile ruotare le pedane (G) verso l'alto per salire/scendere dalla carrozzina da doccia e da toilette.

Smontaggio/montaggio del cinturino per caviglie

1. Aprire il nastro di fissaggio in velcro (E) sul cinturino per caviglie.
2. Togliere la vite (F) dalla parte inferiore della pedana.
3. Togliere il cinturino per caviglie dal perno in plastica flessibile.



Per allacciare il cinturino seguire la stessa procedura, ma nell'ordine inverso.



Durante il montaggio, assicurarsi che il nastro di fissaggio in velcro del cinturino per caviglie sia rivolto all'indietro.

6.4 Inclinazione del telaio del sedile con lo schienale




IMPORTANTE!


– Durante l'inclinazione, non inserire mai le mani tra il telaio del sedile con lo schienale e il telaio tubolare anteriore posto fra gli elementi laterali.

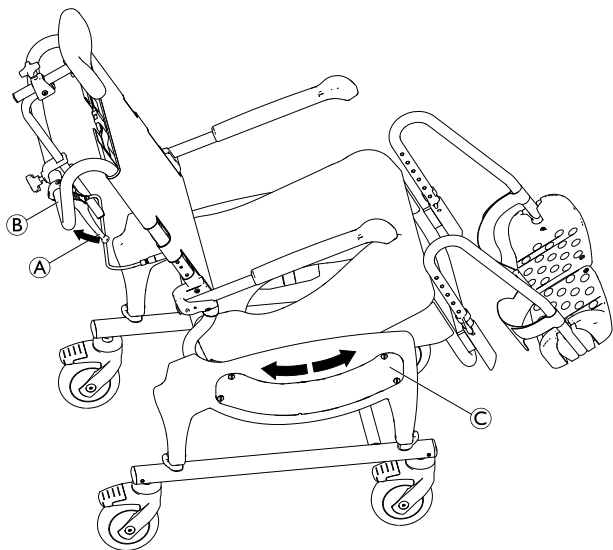
Inclinazione in avanti/indietro



Il telaio del sedile può essere inclinato all'indietro di circa 40° insieme allo schienale.

 Se vengono utilizzati i blocchi dei braccioli (accessori opzionali) e i braccioli sono regolati alla posizione più bassa, il sedile non può essere inclinato completamente all'indietro. L'inclinazione massima è 35°.

 Alle due altezze più basse non è possibile utilizzare l'intervallo di regolazione completo per il poggiatesta. Prima dell'uso, verificare che i poggiatesta non tocchino il pavimento quando si inclina il sedile in avanti. Se necessario, modificare opportunamente la regolazione dell'altezza del sedile o dei poggiatesta.



AVVERTENZA!

Pericolo di schiacciamento

Le dita o le mani possono rimanere intrappolate e schiacciate dal meccanismo di inclinazione.

- Prima dell'uso, assicurarsi che i coperchi laterali © del meccanismo di inclinazione siano montati correttamente.

1. Spingere verso il basso le quattro leve a pedale per bloccare le ruote orientabili.
2. Tenere la sedia da doccia dalla barra di spinta ②.
3. Tirare la leva di attivazione ① e mantenerla in questa posizione.
4. Impostare l'inclinazione desiderata spingendo verso il basso o tirando verso l'alto la maniglia ②.
5. Rilasciare la leva di attivazione e lasciare che i perni del meccanismo di inclinazione si innestino nei fori più vicini. Il telaio del sedile è regolato all'inclinazione impostata al momento.

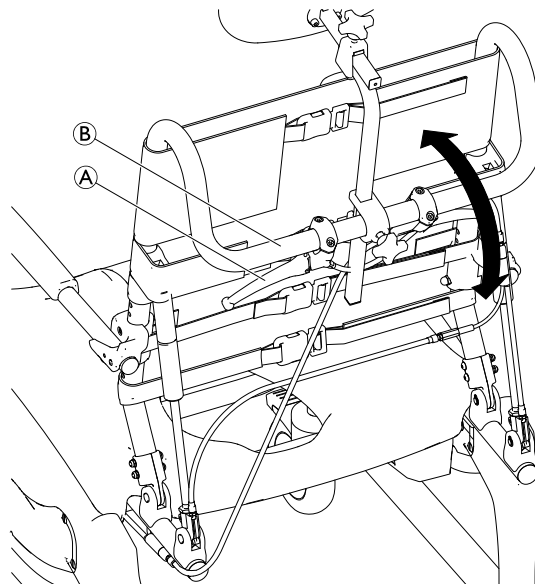
6.5 Inclinazione dello schienale (solo Ocean Dual VIP Ergo)



AVVERTENZA!

Rischio di schiacciamento delle dita tra la staffa del bracciolo e l'elemento laterale

- Durante l'inclinazione all'indietro del telaio del sedile o l'abbassamento dello schienale, non inserire mai le mani tra la staffa del bracciolo e l'elemento laterale.
- Durante l'inclinazione del telaio del sedile o dello schienale, assicurarsi che le braccia dell'utilizzatore siano poggiate sui braccioli o conserte.





1. Spingere verso il basso le quattro leve a pedale per bloccare le ruote orientabili.
2. Tenere la sedia da doccia dalla barra di spinta ②.
3. Tirare la leva di attivazione ① e mantenerla in questa posizione.



La leva di attivazione è dotata di un dispositivo di bloccaggio. Per attivare la leva è necessario prima rimuovere il dispositivo di bloccaggio.

4. Inclinare lo schienale nella posizione desiderata.
5. Rilasciare la leva di attivazione per fissare lo schienale nella posizione corrente.

 È necessario imprimere maggiore forza per inclinare lo schienale all'indietro senza l'utilizzatore seduto. Inclinazione automatica in avanti senza l'utilizzatore seduto quando viene tirata la leva di attivazione.

 La ruota orientabile con la leva blu (opzionale) serve a innestare il blocco direzionale per facilitare il movimento in linea retta.

6.6 Innesto/disinnesto dei dispositivi di bloccaggio delle ruote orientabili

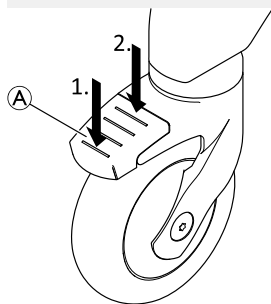


AVVERTENZA!

Rischio di intrappolamento/schiacciamento

Tutti i dispositivi di bloccaggio delle ruote orientabili si azionano con i piedi.

– Non azionare i dispositivi di bloccaggio delle ruote orientabili con le mani.



1. Per bloccare i dispositivi di bloccaggio delle ruote orientabili, premere la parte posteriore del pedale (A) fino a quando si innesta.
2. Per sbloccare i dispositivi di bloccaggio delle ruote orientabili, premere la parte anteriore del pedale A fino a quando si disinnesta.

7 Trasporto

7.1 Informazioni per la sicurezza



Il prodotto può essere smontato per il trasporto in tutte le parti comprese nella fornitura (consultare il capitolo *3 Componenti, pagina 110*).

1. Smontare il prodotto: consultare il capitolo *4 Messa in servizio, pagina 112* seguendo la procedura di montaggio nell'ordine inverso.



IMPORTANTE!

Rischio di danni al prodotto

- Trasferire il prodotto in un luogo asciutto.
- Non esporre il prodotto alla luce diretta del sole.
- Fare riferimento alle condizioni di conservazione e di trasporto riportate nel capitolo *11.3 Parametri ambientali, pagina 135*



IMPORTANTE!

- Per numerosi collegamenti vengono usati viti/dadi autobloccanti o adesivo per filettature. Qualora questi elementi risultino allentati, è necessario sostituirli con nuove viti/dadi autobloccanti oppure fissarli con nuovo adesivo per filettature.

8 Manutenzione

8.1 Manutenzione e controllo

Il prodotto non richiede manutenzione, a condizione che siano rispettate le istruzioni di pulizia e di sicurezza descritte di seguito.

Per garantire prestazioni ottimali e la sicurezza, è necessario eseguire periodicamente i seguenti controlli:

- Controllare regolarmente che il prodotto e gli accessori non siano danneggiati. Non utilizzare il prodotto se difettoso.
- Controllare la funzione di inclinazione del telaio del sedile e dello schienale (Ocean Dual VIP Ergo). È obbligatorio garantire facilità di inclinazione e bloccaggio sicuro della posizione.
- In caso di danni o malfunzionamento, si raccomanda di contattare il fornitore.
- Assicurarsi che il prodotto sia assemblato in modo sicuro, compresi i coperchi di protezione, e che tutte le viti siano serrate saldamente.



ATTENZIONE!

Pericolo di lesioni e danni

Se il prodotto non è regolato in modo corretto, può causare incidenti e lesioni gravi.

- Il prodotto deve essere riparato da un tecnico qualificato.
- Le parti danneggiate devono essere sostituite da un tecnico qualificato.
- Utilizzare esclusivamente pezzi di ricambio originali Invacare.

8.2 Pulizia e disinfezione

Il prodotto può essere pulito e disinfettato con prodotti disponibili in commercio.



IMPORTANTE!

Nelle zone più esposte del bagno e del WC, l'igiene è particolarmente importante.

- Tenere sempre il prodotto pulito e lavarlo regolarmente.
- Disinfettare il prodotto regolarmente.

1. Disinfettare il prodotto strofinando tutte le superfici generalmente accessibili con un disinfettante (se possibile dopo aver smontato il prodotto).



IMPORTANTE!

Tutti i detersivi e i disinfettanti utilizzati devono essere efficaci, compatibili tra loro e devono proteggere i materiali su cui vengono utilizzati durante la pulizia. Per ulteriori informazioni sulla decontaminazione in ambienti sanitari, si prega di fare riferimento alle linee guida in materia di controllo delle infezioni fornite dall'istituto inglese "National Institute for Clinical Excellence" (disponibili sul sito www.nice.org.uk/CG139) e ai protocolli locali di controllo delle infezioni.

- Pulire a mano, in lavatrice o in autoclave.
- Pulire senza detersivi abrasivi.

Pulizia in un ambiente domestico

1. Rimuovere tutti gli accessori installati (solo gli accessori che non richiedono l'uso di utensili).
2. Togliere i poggiatesta dalle guide.

3. Rimuovere la piastra del sedile e il rivestimento dello schienale.
4. Rimuovere i coperchi dei freni e i coperchi di protezione dei dispositivi di fissaggio, come illustrato nel capitolo 4.2.9 *Installazione/rimozione dei coperchi dei freni / dei coperchi di protezione dei dispositivi di fissaggio, pagina 118*
5. Pulire le singole parti con un panno o una spazzola e con detergenti e disinfettanti disponibili in commercio.
6. Risciacquare con acqua calda.
7. Asciugare le parti con un panno.
8. Rimontare il prodotto, come illustrato nel capitolo 4 Configurazione.

Pulizia in un ambiente ospedaliero o assistenziale



Oltre alle istruzioni per la pulizia fornite in precedenza, raccomandiamo di pulire il prodotto prima dell'uso da parte di un altro paziente, al termine del periodo d'uso o regolarmente (a seconda di quale evenienza si verifichi per prima) a

- 90 °C per 1 minuto
- 85 °C per 3 minuti
- 80 °C per 10 minuti

in autoclave.



AVVERTENZA!

Rischio di ustioni della pelle

– Dopo la pulizia, lasciare raffreddare il prodotto all'interno della lavatrice o dell'autoclave.

Pulizia del rivestimento dello schienale (opzionale)

1. Rimuovere il rivestimento dello schienale.
2. Lavare il rivestimento in lavatrice con detergente delicato a una temperatura massima di 60 °C.



IMPORTANTE!

Rischio di danneggiamento

- Un lavaggio a temperature più elevate può provocare danni.
- Non mettere nell'asciugabiancheria.



IMPORTANTE!

- I lavaggi eccessivi possono danneggiare il tessuto.
- Si raccomanda di sostituire il rivestimento dello schienale ogni due anni per motivi di igiene.

Pulizia della padella (opzionale)

La padella può essere pulita in autoclave alle temperature/con i tempi seguenti:

- 90 °C per 1 minuto
- 85 °C per 3 minuti
- 80 °C per 10 minuti.

9 Dopo l'utilizzo

9.1 Conservazione



ATTENZIONE!

Rischio di danni al prodotto

- Conservare il prodotto in un luogo asciutto.
- Non riporre il prodotto vicino a fonti di calore.
- Non esporre il prodotto alla luce diretta del sole.
- Fare riferimento alle condizioni di conservazione e di trasporto riportate nel capitolo 11.3 *Parametri ambientali, pagina 135*



Se la carrozzina dovesse restare per un lungo periodo di tempo in magazzino, la molla pneumatica potrebbe richiedere una forza maggiore per essere attivata (solo Ocean Dual VIP Ergo).

9.2 Riutilizzo

Il prodotto può essere utilizzato più volte. Il numero di volte dipende dalla frequenza e dal modo in cui viene utilizzato il prodotto. Prima del riutilizzo, pulire e disinfettare accuratamente il prodotto (→ 8.2 *Pulizia e disinfezione, pagina 128*), verificare che non presenti danni e che sia montato correttamente.

9.3 Smaltimento

Rispettare l'ambiente e riciclare separatamente i differenti materiali e componenti del presente prodotto presso un centro di riciclaggio locale al termine del suo utilizzo.

Lo smaltimento e il riciclaggio dei prodotti usati e degli imballaggi devono essere eseguiti nel rispetto delle leggi e delle normative in materia di gestione dei rifiuti vigenti in ciascun paese. Per ulteriori informazioni, contattare la propria azienda di raccolta rifiuti locale.

10 Guida alla soluzione dei problemi

10.1 Identificazione e riparazione dei guasti



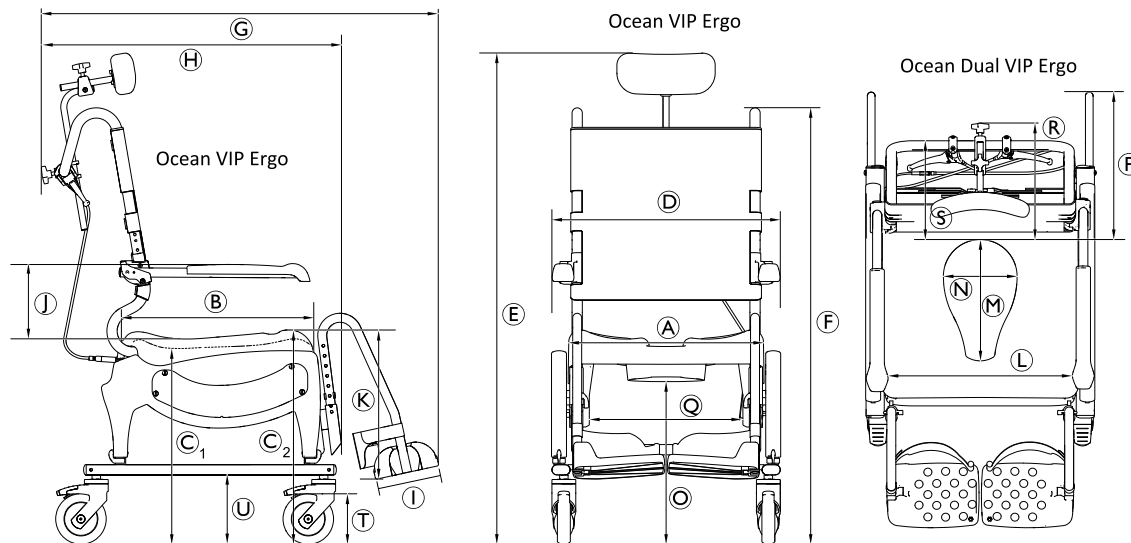
La tabella seguente fornisce informazioni sui malfunzionamenti e sulle possibili cause. Nel caso in cui non fosse possibile correggere il malfunzionamento adottando le soluzioni indicate, contattare direttamente il proprio fornitore.

Malfunzionamento	Causa possibile	Soluzione
Difficoltà di regolazione dell'altezza del sedile	Sporcizia tra il telaio del sedile e l'elemento laterale	Smontare il telaio della base e pulire accuratamente questo e l'elemento laterale
Le ruote orientabili sono difficili o impossibili da girare	Sporcizia tra la forcella e il cerchione	Pulire accuratamente le ruote orientabili
Difficoltà nello spostare lateralmente i poggiatesta	Depositi nelle guide	Pulire accuratamente i poggiatesta e le guide
Non è possibile basculare la seduta con lo schienale	Depositi nel meccanismo di inclinazione	Rimuovere il coperchio del freno e il coperchio della leva del freno e pulire accuratamente il meccanismo di inclinazione
	Cavo Bowden non regolato correttamente	Il cavo Bowden deve essere regolato da un tecnico qualificato
L'attivazione della molla pneumatica richiede una forza maggiore (Dual VIP)	Deposito per un lungo periodo	Basculare la seduta varie volte
Non è possibile basculare lo schienale (Dual VIP)	Cavo Bowden non regolato correttamente	Il cavo Bowden deve essere regolato da un tecnico qualificato

Malfunzionamento	Causa possibile	Soluzione
Rumore sferragliante quando si inclina il telaio del sedile con lo schienale	Cavo Bowden non regolato correttamente	Il cavo Bowden deve essere regolato da un tecnico qualificato
	La leva di attivazione non è completamente tirata	Tirare completamente la leva di attivazione

11 Dati Tecnici

11.1 Dimensioni e peso



	Ocean VIP Ergo	Ocean VIP Ergo XL	Ocean Dual VIP Ergo
(A)		480 mm	
(B)		480 mm	
(C ₁)		475 mm – 600 mm	
(C ₂)		533 mm – 658 mm	
(D)	565 mm	645 mm	565 mm

	Ocean VIP Ergo	Ocean VIP Ergo XL	Ocean Dual VIP Ergo
Ⓔ	circa 1052 mm – 1340 mm (con seduta in posizione neutra)		
Ⓕ	circa 1052 mm – 1202 mm (con seduta in posizione neutra)		
Ⓖ	circa 1000 mm		
Ⓗ	circa 742 mm		
Ⓛ	160 mm		
Ⓝ	213 mm / 251 mm / 289 mm		
Ⓚ	319 mm – 469 mm (in passi di 25 mm)		
Ⓛ	455 mm	535 mm	455 mm
Ⓜ	350 mm (parte superiore) / 300 mm (parte inferiore)		
Ⓝ	250 mm (parte superiore) / 182 mm (parte inferiore)		
Ⓒ	400 mm – 525 mm		
Ⓟ	—	—	380 mm
Ⓠ	385 mm		
Ⓡ	295 mm		—
Ⓢ	230 mm		—
Ⓣ	Æ 5" (127 mm)		
Ⓤ	172 mm		
Angolo di basculamento	-5° – 40°		
Angolo di inclinazione dello schienale	—	—	5° – 35°

	Ocean VIP Ergo	Ocean VIP Ergo XL	Ocean Dual VIP Ergo
Diametro di sterzata	2200 mm		
Larghezza per inversione	1140 mm		1290 mm
Peso del prodotto	23,5 kg	23,5 kg	28,3 kg
Peso max. utilizzatore	150 kg		

11.2 Materiali

Telaio	Acciaio inox, verniciato a polvere
Piastra del sedile	Polipropilene, rinforzato con fibra di vetro
Rivestimento dello schienale	Nylon, rivestito in PVC
Poggiapiedi	Polipropilene, rinforzato con fibra di vetro
Imbottitura del bracciolo	Polipropilene
Ruote orientabili	Plastica e acciaio inox

Tutti i componenti del prodotto sono resistenti alla corrosione e non contengono lattice di gomma naturale.

11.3 Parametri ambientali

Condizioni di funzionamento	
Temperatura ambiente	10 - 65 °C
Umidità relativa	15% - 93% non condensante

Pressione atmosferica	795 - 1060 hPa
Condizioni di conservazione e di trasporto	
Temperatura ambiente	0 - 65 °C
Umidità relativa	30% - 75% non condensante
Pressione atmosferica	795 - 1060 hPa

Contenido

Este manual DEBE ser entregado al usuario final. ANTES de usar este producto lea este manual y guárdelo para futuras referencias.

1 Generalidades	138
1.1 Introducción	138
1.2 Símbolos en este manual	138
1.3 Información sobre la garantía	139
1.4 Cumplimiento	139
1.4.1 Normas específicas del producto	139
1.5 Uso previsto	139
1.6 Vida útil	140
2 Seguridad	141
2.1 Información sobre seguridad	141
2.2 Etiquetas y símbolos en el producto	141
3 Componentes	144
3.1 Información general	144
4 Instalación	146
4.1 Información sobre seguridad	146
4.2 Montaje de la silla de ducha e inodoro	146
4.2.1 Ajuste de la altura del asiento	146
4.2.2 Instalación del respaldo	147
4.2.3 Instalación de la palanca de activación	148
4.2.4 Instalación/retirada de la placa del asiento	149
4.2.5 Ajuste de la altura de los reposabrazos	149
4.2.6 Instalación de los reposapiés	150
4.2.7 Instalación del reposacabezas	151
4.2.8 Instalación de los dispositivos antivuelco	151
4.2.9 Montaje/desmontaje de las cubiertas de los frenos / cubiertas de protección de las abrazaderas	152
5 Accesorios (opcionales)	154
5.1 Montaje/desmontaje del soporte de estructura de inodoro y estructura de inodoro	154

6 Utilización	156
6.1 Información sobre seguridad	156
6.2 Giro de los reposabrazos	157
6.3 Giro de los reposapiés	158
6.4 Basculación del chasis del asiento con respaldo	158
6.5 Inclinación del respaldo (solo para Ocean Dual VIP Ergo)	160
6.6 Activación/desactivación del bloqueo de las ruedas	161
7 Transporte	162
7.1 Información sobre seguridad	162
8 Mantenimiento	163
8.1 Mantenimiento y revisión	163
8.2 Limpieza y desinfección	163
9 Después del uso	165
9.1 Almacenamiento	165
9.2 Reutilización	165
9.3 Eliminación	165
10 Solución de problemas	166
10.1 Identificación y reparación de fallos	166
11 Datos Técnicos	167
11.1 Dimensiones y peso	167
11.2 Materiales	169
11.3 Parámetros medioambientales	169

1 Generalidades

1.1 Introducción

Este manual del usuario contiene información importante sobre el manejo del producto. Para garantizar la seguridad cuando utilice el producto, lea detenidamente el manual del usuario y siga las instrucciones de seguridad.

Tenga en cuenta que puede haber secciones de este manual del usuario que no sean relevantes para su producto, ya que este manual se aplica a todos los modelos disponibles (en la fecha de impresión). Si no se indica lo contrario, cada sección de este manual hace referencia a todos los modelos del producto.

Los modelos y las configuraciones disponibles en su país pueden encontrarse en las listas de precios específicas del país.

Invacare se reserva el derecho de modificar las especificaciones del producto sin previo aviso.

Antes de leer este manual, asegúrese de contar con la versión más reciente. Podrá encontrarla en formato PDF en el sitio web de Invacare.

Si la versión impresa del manual del usuario tiene un tamaño de letra que le resulta difícil de leer, podrá descargarlo en formato PDF en el sitio web. Podrá ampliar el PDF en pantalla a un tamaño de letra que le resulte más cómodo.

Para obtener más información sobre el producto, por ejemplo, avisos de seguridad sobre el producto y retiradas del producto, póngase en contacto con su representante

de Invacare. Consulte las direcciones al final de este documento.

1.2 Símbolos en este manual

En este manual, las advertencias están indicadas con símbolos. A los símbolos de las advertencias se les añade un encabezado que indica la gravedad del peligro.



ADVERTENCIA

Indica una situación peligrosa que, si no se evita, podría tener como consecuencia la muerte o lesiones graves.



PRECAUCIÓN

Indica una situación peligrosa que, si no se evita, podría tener como consecuencia lesiones menos graves.



IMPORTANTE

Indica una situación peligrosa que, si no se evita, podría tener como consecuencia daños a la propiedad.



Consejos y recomendaciones

Proporciona consejos útiles, recomendaciones e información para un uso eficiente y sin problemas.



Este producto cumple con la Directiva 93/42/CEE en lo concerniente a productos sanitarios. La fecha de lanzamiento de este producto figura en la declaración de conformidad CE.



Fabricante del producto.

1.3 Información sobre la garantía

Ofrecemos la garantía del fabricante del producto conforme a nuestras Condiciones generales y Condiciones comerciales en los distintos países.

Las reclamaciones relativas a la garantía solo pueden efectuarse a través del distribuidor en el que se adquirió el producto.

1.4 Cumplimiento

La calidad es fundamental para el funcionamiento de la empresa, que trabaja conforme a las normativas ISO 13485.

Este producto lleva la marca CE correspondiente, en cumplimiento con la Directiva sobre dispositivos médicos 93/42/CEE Clase 1.

Trabajamos continuamente para garantizar que se reduzca al mínimo el impacto medioambiental de la empresa, tanto a nivel local como global.

Solo utilizamos materiales y componentes que cumplen con las directivas REACH.

1.4.1 Normas específicas del producto

El producto ha sido sometido a pruebas y cumple las normas ISO 17966 (Productos de asistencia para la higiene personal que soportan a los usuarios) y las normas relacionadas. Esto incluye las pruebas relativas a la inflamabilidad. No se produce ignición por combustión progresiva ni ignición de llama.

Para obtener más información sobre las normativas locales, póngase en contacto con el representante local de Invacare. Consulte las direcciones al final de este documento.

1.5 Uso previsto

La silla de ducha e inodoro se ha diseñado exclusivamente como ayuda para ducharse, bañarse o ir al baño, para utilizarla durante la higiene personal (por ejemplo, delante del lavabo) o para trasladar a los pacientes en interiores. Su uso está destinado a pacientes jóvenes o adultos, con o sin asistencia de un cuidador, que tengan:

- Dificultades para mantener el equilibrio o permanecer de pie
- Piernas débiles o discapacidad de las extremidades inferiores
- Condiciones médicas que afecten negativamente a su equilibrio

El producto se ha diseñado para utilizarse en instituciones sanitarias y en hogares particulares. Se prohíbe cualquier otro uso.



¡ADVERTENCIA!

Riesgo de lesiones

- No utilice nunca el producto como ayuda para entrar o salir de la bañera, para subir o bajar cuestas, como soporte o para otros fines similares.
- No utilice el producto en exteriores.

Como silla de inodoro, el producto puede utilizarse sobre un inodoro estándar o de forma independiente con la cubeta inodora (opcional).

Temperatura de uso: De 10 a 65 °C

1.6 Vida útil

La vida útil prevista para este producto es de cinco años, siempre y cuando se utilice diariamente y de conformidad con las instrucciones de seguridad, se respeten los intervalos de mantenimiento y se utilice correctamente según lo establecido en este manual. La vida útil real puede variar en función de la frecuencia y la intensidad del uso.

2 Seguridad

2.1 Información sobre seguridad



¡ADVERTENCIA!

Riesgo de lesiones o daños

- No utilice este producto ni cualquier otro equipo opcional disponible sin antes haber leído y comprendido estas instrucciones y cualquier otro material informativo adicional, como manuales del usuario, manuales de servicio u hojas de instrucciones, proporcionados con este producto o equipo opcional.
- Si tiene alguna duda relacionada con las advertencias, precauciones o instrucciones, póngase en contacto con un profesional sanitario, el proveedor de Invacare o un técnico cualificado antes de intentar utilizar este equipo.



¡ADVERTENCIA!

Riesgo de lesiones

- No se ponga de pie sobre el producto.
- No lo utilice como ayuda para escalar.
- No lo utilice en exteriores.



¡ADVERTENCIA!

Riesgo de lesiones

- No utilice el producto si está defectuoso.
- En caso de producirse un fallo en el funcionamiento, póngase en contacto con su proveedor inmediatamente.
- No realice ningún cambio ni modificación del producto sin autorización.
- Utilice únicamente los accesorios diseñados para este producto.



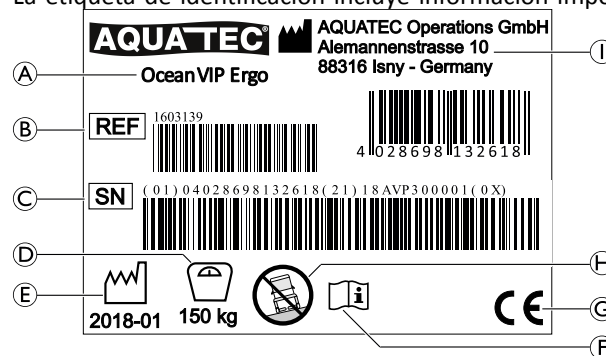
¡IMPORTANTE

La información incluida en este documento está sujeta a cambios sin previo aviso.

2.2 Etiquetas y símbolos en el producto

Etiqueta de identificación

La etiqueta de identificación incluye información importante:




Ⓐ	Nombre del producto
Ⓑ	Referencia de producto
Ⓒ	Número de serie
Ⓓ	Peso del usuario máximo
Ⓔ	Fecha de fabricación
Ⓕ	Lea el manual del usuario
Ⓖ	Marca de conformidad
Ⓗ	Nota (usar solo en superficies planas)
Ⓘ	Dirección del fabricante


i La etiqueta de identificación está fijada en el interior de la parte lateral izquierda.

Etiquetas en el producto

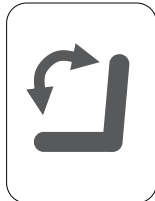
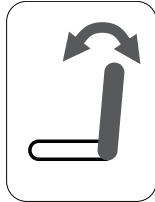
La siguiente etiqueta está fijada en la parte posterior del reposacabezas:

Etiqueta	Descripción
	<p>¡PRECAUCIÓN!</p> <p>Riesgo de impacto</p> <p>El respaldo/reposacabezas puede golpearle el cuerpo al tirar de la palanca de activación.</p> <p>– Asegúrese de que hay suficiente espacio entre usted y el respaldo/reposacabezas al bascular el chasis del asiento con respaldo.</p>

La siguiente etiqueta está fijada en la barra de empuje :

Etiqueta	Descripción
	<p>¡ADVERTENCIA!</p> <p>Riesgo de volcar</p> <ul style="list-style-type: none"> – No se ponga de pie sobre los reposapiés al subir o bajar de la silla de ducha e inodoro. – Empuje los reposapiés hacia los lados o pliegue las paletas de los reposapiés antes de subirse o bajarse de la silla de ducha e inodoro. – Antes de sentarse o de levantarse, gire las ruedas de modo que el bloqueo apunte hacia delante. – No se incline demasiado hacia delante al sentarse en la silla de ducha e inodoro.

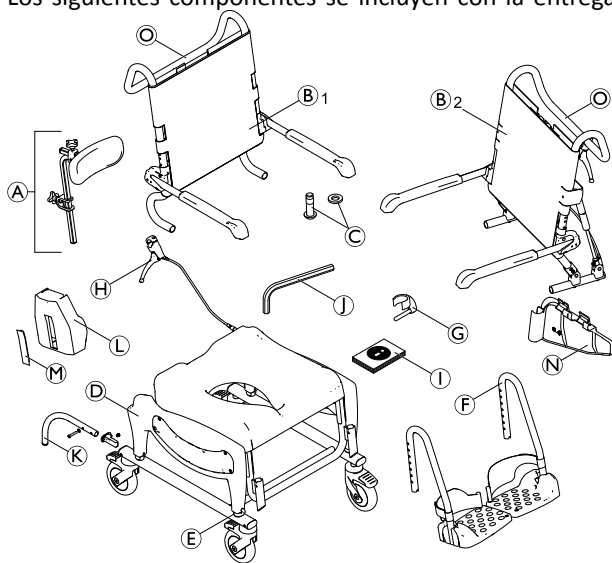
Las siguientes etiquetas están fijadas en las palancas de activación:

Etiqueta	Descripción
	<p>Palanca de activación para la basculación del asiento.</p>
	<p>Palanca de activación solo para la basculación del respaldo.</p>

3 Componentes

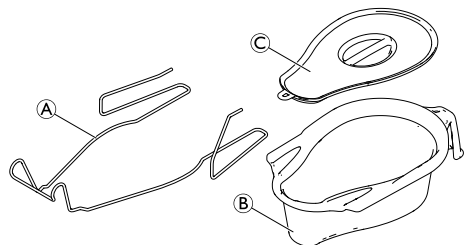
3.1 Información general

Los siguientes componentes se incluyen con la entrega:



(A)	Reposacabezas
(B ₁)	Ocean VIP Ergo: respaldo con funda y reposabrazos
(B ₂)	Ocean Dual VIP Ergo: respaldo con funda, reposabrazos y palanca de activación para inclinación del respaldo

(C)	Tornillos (4) y arandelas (4) para la fijación del respaldo
(D)	Chasis del asiento con placa del asiento y piezas laterales con chasis inferior y ruedas giratorias
(E)	Ganchos (4) para el ajuste de la altura
(F)	Reposapiés con correas para el talón (2)
(G)	Clips (2) para reposapiés
(H)	Palanca de activación para la inclinación del asiento
(I)	Manual del usuario
(J)	Llave Allen
(K)	Dispositivo antivuelco trasero con tornillo, arandela y tapa de montaje (2) (solo para Ocean Dual VIP Ergo)
(L)	Cubierta del freno (2)
(M)	Cubierta de la palanca del freno (2)
(N)	Cubierta de protección de la abrazadera (2)
(O)	Barra de empuje

Accesorio — Soporte de estructura de inodoro con estructura de inodoro

(A)	Soporte de estructura de inodoro
(B)	Estructura de inodoro
(C)	Tapa

4 Instalación

4.1 Información sobre seguridad



¡ADVERTENCIA!

- Antes de utilizar la silla, compruebe si los componentes han sufrido algún daño durante el transporte y póngase en contacto con el proveedor si es necesario.
- Durante el montaje, compruebe que las piezas estén correctamente colocadas unas con respecto a las otras.
- Se utilizan tornillos de seguridad, tuercas o adhesivo de bloqueo de roscas para varias conexiones. Si estos se aflojan, deberán sustituirse por nuevos tornillos de seguridad o tuercas, o deberán fijarse con nuevo adhesivo de bloqueo.

4.2 Montaje de la silla de ducha e inodoro

En esta sección se describe el montaje. El desmontaje se lleva a cabo en el orden inverso.



La altura del reposabrazos, la altura del reposapiés, el ángulo del reposapiés, el reposacabezas la correa para el talón, la tensión de la funda del respaldo y los accesorios deben ajustarse para que se adapten de forma óptima al usuario.

4.2.1 Ajuste de la altura del asiento

En esta sección se describe el montaje. El desmontaje se lleva a cabo en el orden inverso.

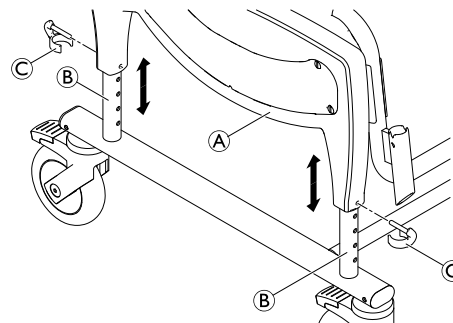


¡ADVERTENCIA!

- No ajuste la altura del inodoro si hay alguien sentado en él.



La altura del asiento debe ajustarse en ambos lados simultáneamente.



1. Levante ligeramente el inodoro por la parte lateral (A).
2. Retire los cuatro clips (C) (dos a cada lado).
3. Regule la altura correcta del asiento desplazando simultáneamente el chasis del asiento hacia arriba o abajo en los cuatro tubos (B) del chasis inferior.
4. Haga coincidir los soportes de los clips de la parte lateral con un orificio del chasis inferior.
5. Introduzca los cuatro clips desde fuera en la parte lateral, hasta que los bordes de los clips rodeen el tubo del chasis inferior (B).



¡ADVERTENCIA!

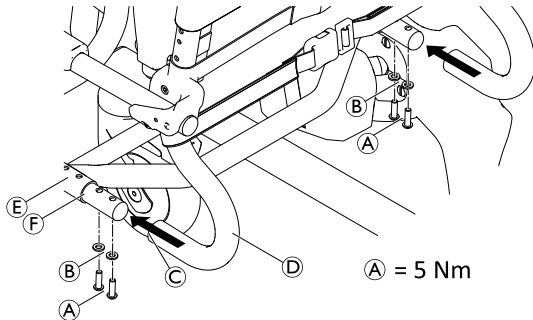
Riesgo de lesiones

- Asegúrese de que los cuatro clips están bien sujetos.
- Asegúrese de que los cuatro tubos estén ajustados a la misma altura.



La altura del asiento se puede ajustar para adaptarse a distintas situaciones de uso, por ejemplo, el traslado desde una cama o una silla de ruedas o el uso sobre un inodoro, etc.

4.2.2 Instalación del respaldo



1. Empuje hacia abajo las cuatro lengüetas de las ruedas para bloquearlas.
2. Empuje el respaldo **D** desde detrás en el chasis del asiento **E**, hasta que la parte curva **C** toque el tubo del chasis del asiento **F**.

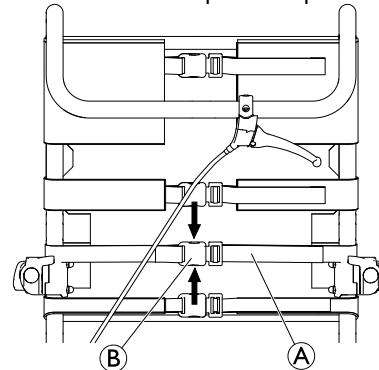


IMPORTANTE

- Apriete fuerte los tornillos con la llave Allen suministrada.
 - Compruebe periódicamente los tornillos para asegurarse de que están bien ajustados.
3. Coloque una arandela **B** en cada tornillo **A** y fije ambos lados del respaldo.
 4. Apriete los tornillos con un par de torsión de 5 Nm.

Ajuste de la funda del respaldo

La tensión del respaldo se puede ajustar según sea necesario.



¡ADVERTENCIA!

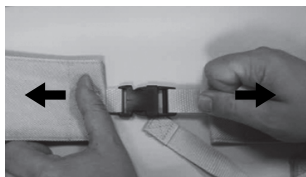
- Asegúrese de que se pasan al menos tres cinturones alrededor del chasis del respaldo (en la parte exterior) y de que las hebillas de los cinturones están sujetas.

Para tensar:

1. Apriete los cinturones ① de la funda del respaldo.

Para aflojar:

1. Abra las hebillas ② presionando los salientes de sujeción (flechas).
2. Afloje un poco los cinturones a través de la hebilla.
3. Apriete las hebillas de los cinturones.
4. Vuelva a apretar suavemente los cinturones.



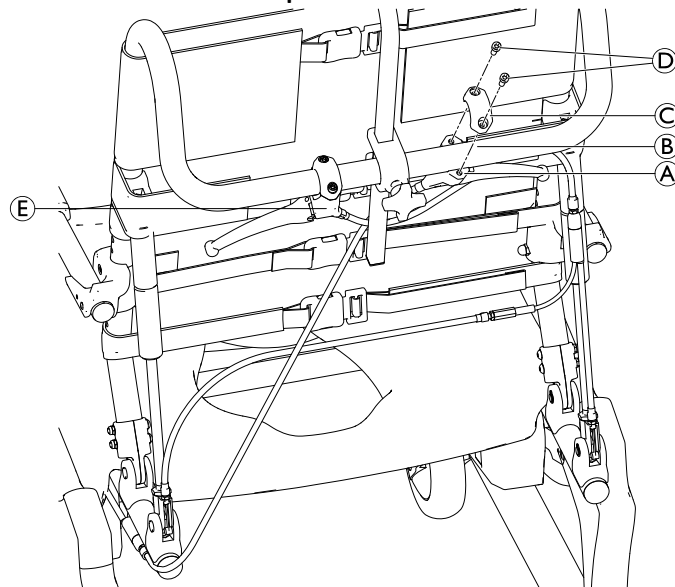
¡ADVERTENCIA!

Riesgo de lesiones causadas por hebillas del respaldo en mal estado.

Compruebe que las hebillas del respaldo estén bien sujetas, siempre que proceda al mantenimiento o reacondicionamiento del producto.

- Compruebe que todos los clips de las hebillas estén bien sujetos cerrando las hebillas y tirando de ambos extremos.
- Sustituya el respaldo o las hebillas del respaldo si se abre una hebilla debido a la fuerza aplicada.

4.2.3 Instalación de la palanca de activación




1. Retire la pieza de sujeción ③ de la palanca de activación ① aflojando los tornillos ④.
2. Coloque la palanca de activación ① para la inclinación del asiento desde la parte inferior en el lado derecho de la barra de empuje ②.



La palanca debe estar ligeramente girada hacia adentro del respaldo.

3. Instale la palanca de activación en la barra de empuje mediante la pieza de sujeción ③ y los tornillos ④.

 Para el modelo Ocean Dual VIP Ergo, la palanca de activación **E** para la inclinación del respaldo ya está instalada en el lado izquierdo de la barra de empuje. La posición de la palanca de activación se puede cambiar si es necesario.

4.2.4 Instalación/retirada de la placa del asiento

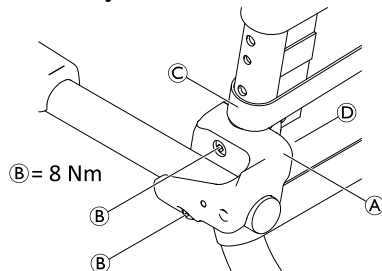
Instalación:

1. Coloque la placa del asiento sobre el chasis del asiento con la entalladura hacia delante.
2. Con la palma de la mano, presione la placa del asiento en los laterales y después por delante y por detrás hasta que esta encaje en el chasis del asiento.


Retirada:

1. Tire de la placa del asiento hacia arriba en la parte trasera.


4.2.5 Ajuste de la altura de los reposabrazos




1. En la funda del respaldo, abra el segundo cinturón más bajo **C** y afloje los otros cinturones.

 Las tuercas están flojas dentro de la abrazadera de sujeción y pueden caerse.

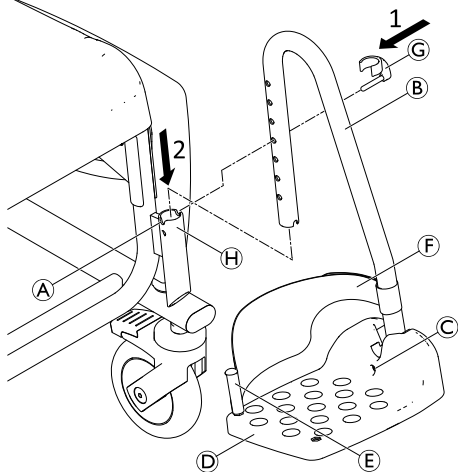
2. Desatornille los tornillos **B** del soporte de reposabrazos **A** utilizando la llave Allen suministrada.
3. Quite la abrazadera de sujeción **D** con las tuercas desde el interior del chasis del respaldo.
4. Quite el soporte del respaldo **A** con el reposabrazos y muévelo hacia arriba.

 El orificio más pequeño sirve para fijar la abrazadera de sujeción.


5. Inserte los tornillos en el soporte de reposabrazos y páselos por los orificios del chasis del respaldo.
6. Si es preciso, vuelva a colocar las tuercas en la abrazadera de sujeción.
7. Coloque la abrazadera de sujeción del chasis del respaldo insertando el pasador de fijación en el orificio más pequeño.
8. Gire los tornillos en las tuercas y apriete.
9. En función de la altura del reposabrazos, pase el segundo cinturón más bajo sobre la parte exterior del chasis del respaldo o la parte interior, apriete y cierre todos los cinturones.
10. El procedimiento de ajuste de la altura es igual para el reposabrazos izquierdo y derecho.

 Para fijar accesorios, se puede abrir el segundo cinturón más bajo y la funda del respaldo se puede pasar por el interior del chasis del respaldo.


4.2.6 Instalación de los reposapiés



1. Inserte el pasador del clip © desde el exterior en el orificio necesario del reposapiés ʘ. Asegúrese de que el clip se encaja alrededor del tubo.
2. Presione el reposapiés en la guía ʘ en la parte delantera del lateral hasta que el pasador del clip © encaje en la ranura ʘ. El reposapiés ya no podrá girar hacia el lateral.


 El procedimiento de montaje es igual para el reposapiés derecho e izquierdo.

Ajuste de la altura de los reposapiés

 Los reposapiés se pueden acortar si es necesario (consulte el manual de servicio). El acortamiento de los reposapiés deberá realizarlo un técnico cualificado.

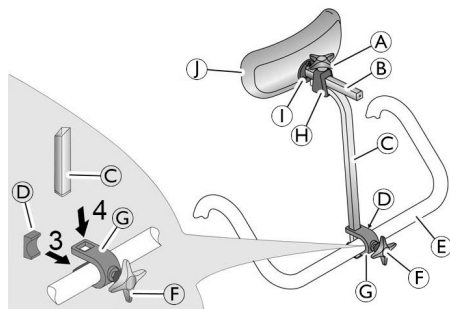
1. Tire ligeramente hacia arriba del reposapiés ʘ.
2. Tire del clip © para sacarlo del orificio en el reposapiés y vuelva a insertarlo en el orificio necesario. Tire del reposapiés un poco más hacia fuera si es necesario.
3. Presione el reposapiés hacia abajo hasta que la ranura ʘ encaje en el pasador del clip.
4. Ajuste el otro reposapiés a la altura necesaria según se ha descrito.

Ajuste de la inclinación de las paletas de los reposapiés

 La inclinación de las paletas de los reposapiés se puede ajustar de muchas formas.

1. Afloje el tornillo Allen © de la paleta del reposapiés con una llave Allen tamaño 4.
2. Gire la paleta del reposapiés ʘ hasta la posición necesaria.
3. Vuelva a apretar el tornillo Allen.

4.2.7 Instalación del reposacabezas



1. Utilice la palomilla (F) para insertar el tornillo un poco en el soporte (G).
2. Presione la abrazadera con el tornillo sobre la barra de empuje (E) desde la parte de atrás de tal forma que el tornillo encaje en el orificio de la barra de empuje.
3. Introduzca la placa (D) en la abrazadera desde la parte frontal de modo que los dos salientes de la placa queden hacia arriba y hacia abajo y el lateral curvado de la misma toque la barra de empuje.
4. Presione el tubo de ajuste de la altura (C) desde arriba para que se inserte en los huecos del soporte.
5. Utilice la palomilla para apretar el tornillo hasta que el ajuste de la altura quede fijo en su posición.
6. Presione el cojín (J) y su soporte (B) para que se inserten en el soporte (H) del tubo de ajuste de la altura.
7. Utilice la palomilla (A) para apretar el tornillo superior hasta que el soporte del cojín quede fijo en su posición.



Para adaptarla al usuario, el tubo de ajuste de altura se puede colocar con la manilla hacia adelante o atrás.

El cojín del reposacabezas (J) puede quitarse y sustituirse por un cojín con otra forma (opcional). Para extraerlo, afloje los tornillos de retención (I).

Ajuste de la longitud del reposacabezas



Los tubos del reposacabezas (C) y (B) se pueden acortar si es necesario (consulte el manual de servicio). La reducción del tubo del reposacabezas deberá realizarlo un técnico cualificado.

4.2.8 Instalación de los dispositivos antivuelco



¡ADVERTENCIA! Riesgo de volcado

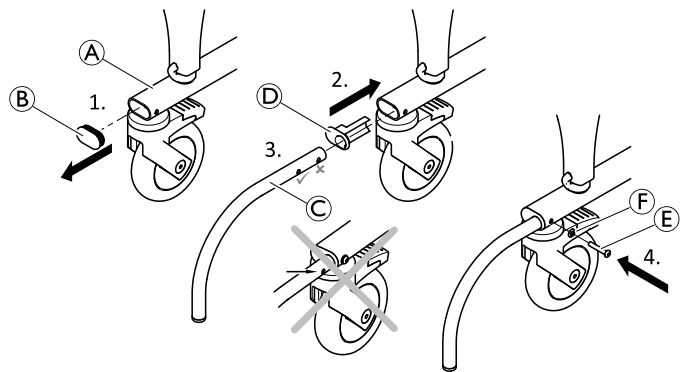
Existe el riesgo de lesiones graves cuando el respaldo de la Ocean Dual VIP Ergo está inclinado. Toda la silla podría volcar hacia atrás.

- Antes de usar la Ocean Dual VIP Ergo, compruebe que ambos dispositivos antivuelco traseros estén instalados.



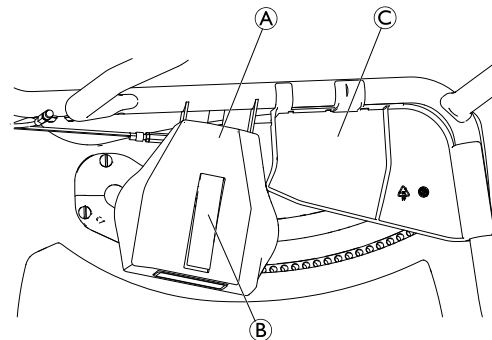
¡ADVERTENCIA! Riesgo de lesiones

- No se ponga nunca de pie sobre los dispositivos antivuelco.



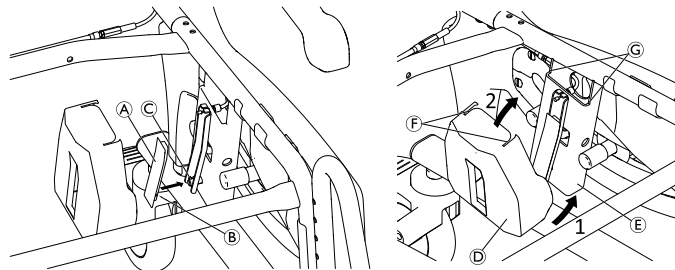
1. Retire la tapa **B** del chasis inferior **A**.
2. Instale la tapa de montaje **D** en el chasis inferior.
3. Inserte el tubo antivuelco **C**.
4. Fije el dispositivo antivuelco insertando el tornillo en su segundo orificio **E** y la arandela **F**.
5. Instale el segundo dispositivo antivuelco en el otro lado.

4.2.9 Montaje/desmontaje de las cubiertas de los frenos / cubiertas de protección de las abrazaderas



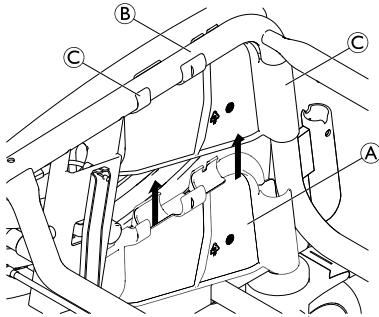
A	Cubierta del freno
B	Cubierta de la palanca del freno
C	Cubierta de protección de la abrazadera

Cubierta del freno



1. Coloque la cubierta de la palanca del freno **(A)** fijando la ranura **(B)** al eje pequeño **(C)**.
2. Sitúe la parte inferior de la cubierta del freno **(D)** en ángulo desde debajo sobre la carcasa del freno **(E)**.
3. Doble la parte superior de la cubierta del freno sobre la carcasa del freno de modo que las ranuras **(F)** queden alineadas con los bordes **(G)**.
4. Instale la segunda cubierta del freno en el otro lado.

Cubierta de protección de la abrazadera



1. Instale la cubierta de protección de la abrazadera **(A)** encajándola en los tubos del chasis **(B)**. Asegúrese de que todos los clips **(C)** están bien encajados.
2. Instale la segunda cubierta de protección de la abrazadera en el otro lado.

5 Accesorios (opcionales)

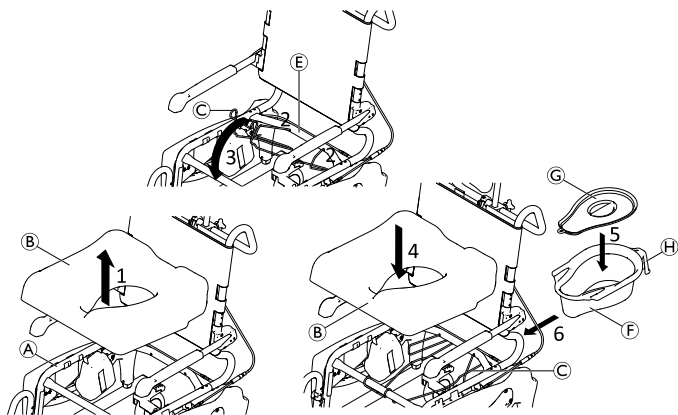


¡ADVERTENCIA!

Riesgo de lesiones

– El montaje de los accesorios (opcional) debe llevarse a cabo según las instrucciones correspondientes.

5.1 Montaje/desmontaje del soporte de estructura de inodoro y estructura de inodoro



La estructura de inodoro (F) se puede insertar/extraer con o sin la tapa (C).

1. Retire el asiento (B) del chasis (A).
2. Coloque los extremos del soporte de estructura de inodoro (C) en los orificios del tubo cruzado trasero (E).

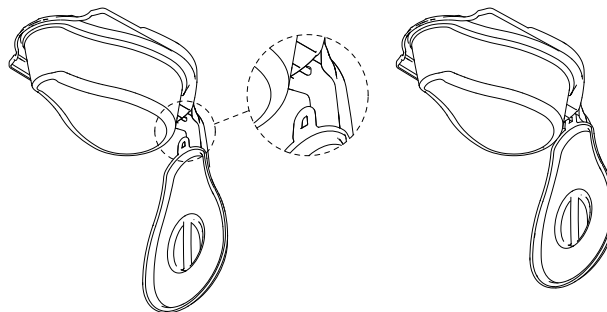
3. Fije la parte delantera del soporte de estructura de inodoro con el tubo cruzado delantero (D).
4. Vuelva a colocar el asiento en el chasis.
5. Coloque la tapa o retírela de la estructura de inodoro.
6. Sostenga la estructura de inodoro por el asa (H) e insértela desde el lateral trasero entre el soporte de estructura de inodoro y el asiento.



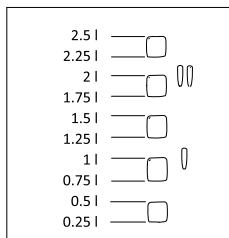
Empuje ligeramente hacia abajo la estructura de inodoro al insertarla o retirarla.



La tapa se puede colgar del gancho de plástico en la parte inferior del asa de la estructura de inodoro.



Hay un indicador de nivel de llenado en la pared interior de la estructura de inodoro.



6 Utilización

6.1 Información sobre seguridad



¡ADVERTENCIA!

- Utilice la silla de ducha e inodoro únicamente sobre una superficie plana y en interiores.
- Tenga en cuenta las especificaciones de la etiqueta de identificación. No sobrecargue la silla de ducha e inodoro.
- Tenga en cuenta las etiquetas de seguridad de la parte posterior del reposacabezas y de la barra de empuje, *2.2 Etiquetas y símbolos en el producto, página 141*
- No coloque un peso excesivo sobre la silla de ducha e inodoro.
- Antes de utilizar el producto, realice siempre una inspección visual del mismo para detectar posibles daños externos.



¡ADVERTENCIA!

Riesgo de deslizamiento y volcado

- Antes de usar la silla, compruebe que el asiento está bien fijado a su chasis
- Bloquee todas las ruedas con las lengüetas azules de pie antes de sentarse en la silla de ducha e inodoro o de levantarse de ella, y también en la posición de estacionamiento.



¡ADVERTENCIA!

Riesgo de volcado

- Gire los reposapiés hacia el lateral o pliegue hacia arriba las paletas de los reposapiés antes de sentarse o de levantarse.
- Antes de sentarse o de levantarse, gire las ruedas delanteras de tal forma que el bloqueo quede orientado hacia delante.
- Nunca se ponga de pie sobre los reposapiés.
- No se incline demasiado hacia delante.
- Solo empuje al usuario sentado en el inodoro cuando el chasis del asiento y el respaldo estén colocados en posición vertical.
- Solo traslade al usuario del o al inodoro cuando el chasis del asiento y el respaldo estén colocados en posición vertical.
- No retire nunca los resortes neumáticos (solo para Ocean Dual VIP Ergo).



¡ADVERTENCIA!

Riesgo de lesiones

- Antes de usar el asiento blando variable (accesorio opcional), deben estar instaladas las fundas laterales (n.º de pieza AP1605002).



¡ADVERTENCIA!

¡Riesgo de volcar hacia atrás!

- El Ocean Dual VIP Ergo solo se puede usar, si están instalados los dispositivos antivuelco traseros.

**¡ADVERTENCIA!****Riesgo de volcado**

- La silla de ducha e inodoro solo se puede mover mediante la barra de empuje.

**¡PRECAUCIÓN!****Riesgo de quemaduras en la piel**

- Los componentes del producto pueden calentarse si se exponen a fuentes de calor externas.
- Tenga en cuenta las superficies calentadas al utilizar la silla de ducha e inodoro en la sauna o si se expone al agua caliente.
 - No exponga el producto a la luz solar directa antes de utilizarlo.

**¡PRECAUCIÓN!****Riesgo de atrapamiento debido al mecanismo de basculación**

- Al bascular el chasis del asiento, asegúrese de que los brazos del usuario están situados sobre los reposabrazos.
- Compruebe que la cubierta de protección de las abrazaderas está instalada en el chasis, consulte el capítulo 4.2.9 *Montaje/desmontaje de las cubiertas de los frenos / cubiertas de protección de las abrazaderas, página 152*

**¡IMPORTANTE****Riesgo de rotura del reposacabezas**

- Empuje y conduzca la silla de ducha e inodoro únicamente con la barra de empuje, nunca con el reposacabezas.

**¡IMPORTANTE****Riesgo de dañar el producto**

- No eleve la silla de ducha e inodoro por los reposapiés, los reposabrazos o cualquier accesorio.



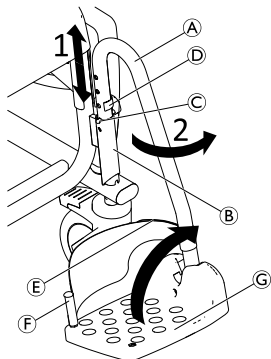
En el caso de usuarios con alto riesgo de ponerse de pie sobre los reposapiés (por ejemplo, si tienen demencia), existen dispositivos antivuelco frontales (n.º de pieza AP1603992) como accesorios para evitar que la silla de ducha e inodoro vuelque hacia delante.

6.2 Giro de los reposabrazos

**¡PRECAUCIÓN!****Riesgo de pillarse los dedos en el mecanismo de plegado**

- No meta los dedos en la junta articulada al plegar los reposabrazos hacia arriba o hacia abajo.
- No meta los dedos entre el reposabrazos y el respaldo al plegar los reposabrazos.
- Compruebe que ningún componente queda pillado en las uniones.

6.3 Giro de los reposapiés



Posición de subida/posición de bajada:

1. Tire ligeramente hacia arriba del reposapiés **A** por la guía **B** hasta que el pasador del clip **D** ya no encaje en la ranura **C**.
2. Gire el reposapiés hacia el lateral.

Posición de marcha:



¡PRECAUCIÓN!

Riesgo de accidente debido a reposapiés sueltos
– Fije los reposapiés en la posición de marcha.

1. Gire el reposapiés **A** hacia adentro.
2. Presione el reposapiés hacia abajo hasta que el pasador del clip **D** encaje en la ranura **C**.



Como alternativa, las paletas del reposapiés **G** pueden girarse hacia arriba para subirse/bajarse a la silla de ducha e inodoro.

Desmontaje/montaje de la correa para el talón

1. Abra la tira de velcro **E** de la correa para el talón.
2. Quite el tornillo **F** de la parte inferior de la paleta del reposapiés.
3. Retire la correa para el talón del pasador de plástico flexible.



Para montar la correa, siga el mismo procedimiento en el orden inverso.



Al instalarla, compruebe que la tira de velcro de la correa para el talón queda orientada hacia atrás.

6.4 Basculación del chasis del asiento con respaldo



¡IMPORTANTE

– No acceda nunca al área situada entre el chasis del asiento con respaldo y la estructura tubular frontal entre las piezas laterales al bascular.

Basculación hacia atrás o hacia delante



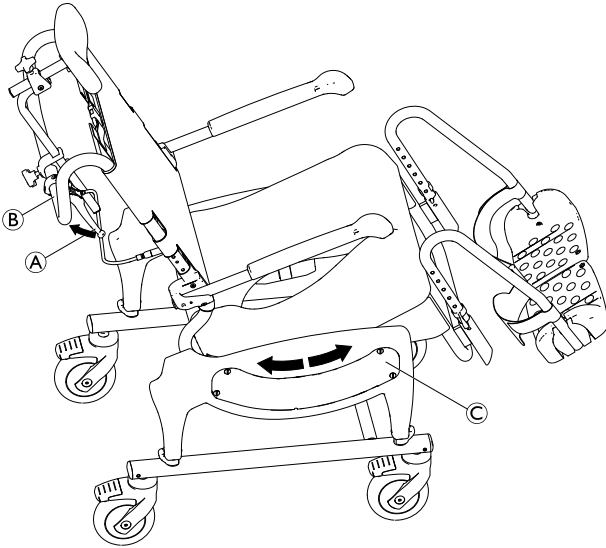
El chasis del asiento se puede bascular unos 40° hacia atrás.



Si se utilizan bloqueos del reposabrazos (accesorio opcional) y los reposabrazos se montan en la posición más baja posible, el asiento no se puede bascular por completo hacia atrás. La basculación máxima es de 35°.



Para las dos alturas del asiento más bajas, no puede utilizarse el intervalo de ajuste completo del reposapiés. Antes de su uso, compruebe que los reposapiés no tocan el suelo al bascular el asiento hacia delante. Si es necesario vuelva a ajustar la altura del asiento o del reposapiés según corresponda.



¡PRECAUCIÓN!

Riesgo de aplastamiento

Sus dedos o manos podrían quedar atrapados o aplastados por el mecanismo de basculación.

– Antes de cada uso, asegúrese de que las cubiertas de las piezas laterales © del mecanismo de basculación están montadas correctamente.

1. Empuje hacia abajo los cuatro pedales de las ruedas para bloquearlas.
2. Sujete la silla de ducha por su barra de empuje ②.
3. Tire de la palanca de activación ① y sujétela.
4. Ajuste la basculación necesaria empujando hacia abajo o tirando hacia arriba de la barra de empuje ②.
5. Suelte la palanca de activación y deje que los pasadores del mecanismo de basculación encajen en los orificios más cercanos. El chasis del asiento se fija en la basculación ajustada actualmente.

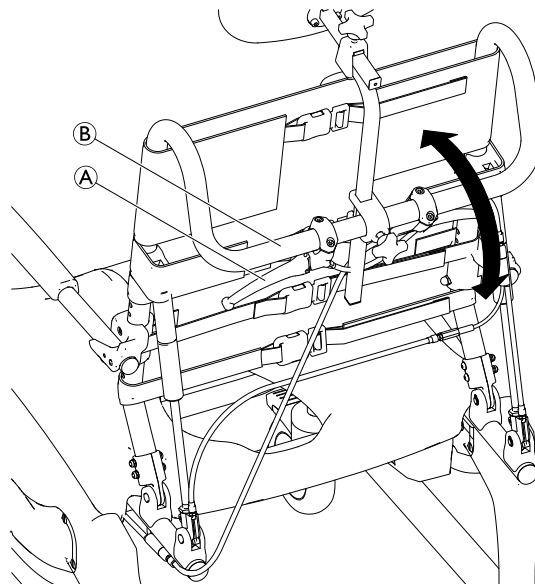
6.5 Inclinación del respaldo (solo para Ocean Dual VIP Ergo)



¡PRECAUCIÓN!

Riesgo de que los dedos queden atrapados entre el soporte del reposabrazos y la parte lateral

- No acceda nunca al área situada entre el soporte del reposabrazos y la parte lateral al inclinar hacia atrás el chasis del asiento o al bajar el respaldo.
- Al inclinar el chasis del asiento o el respaldo, asegúrese de que los brazos del usuario estén situados sobre los reposabrazos o doblados delante del cuerpo.



1. Empuje hacia abajo los cuatro pedales de las ruedas para bloquearlas.
2. Sujete la silla de ducha por su barra de empuje **B**.
3. Tire de la palanca de activación **A** y sujétela.



La palanca de activación está equipada con un dispositivo de bloqueo. Para activar la palanca, antes se debe tirar del dispositivo de bloqueo.

4. Ajuste el respaldo hasta la posición necesaria.
5. Suelte la palanca de activación para fijar el respaldo en la posición actual.



Es necesaria más fuerza para inclinar el respaldo hacia atrás cuando no está sentado el usuario. El respaldo se inclina hacia arriba de forma automática cuando el usuario no está sentado si se tira de la palanca de activación.



La rueda con lengüeta azul (opcional) se utiliza para activar el bloqueo de dirección y facilitar el movimiento recto.

6.6 Activación/desactivación del bloqueo de las ruedas

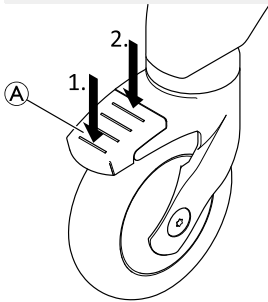


¡PRECAUCIÓN!

Riesgo de atrapamiento o aplastamiento de los dedos

Todos las lengüetas de bloqueo de las ruedas se accionan con los pies.

– No accione las lengüetas de bloqueo de las ruedas con las manos.



1. Para bloquear las ruedas, pise el extremo trasero de las lengüetas de bloqueo Ⓐ hasta que encaje.
2. Para desbloquear los bloqueos de las ruedas, pise el extremo delantero de las lengüetas de bloqueo hasta que se desencaje.

7 Transporte

7.1 Información sobre seguridad



El producto puede desmontarse para su transporte en las piezas que se suministran en la entrega; consulte el capítulo 3 *Componentes*, página 144

1. Desmonte el producto: Consulte el capítulo 4 *Instalación*, página 146 siguiendo los pasos de montaje en orden inverso.



IMPORTANTE

Riesgo de dañar el producto

- Transporte el producto en una zona seca.
- No exponga el producto a la luz solar directa.
- Consulte las condiciones de envío y almacenamiento en el capítulo 11.3 *Parámetros medioambientales*, página 169



IMPORTANTE

- Se utilizan tornillos de seguridad, tuercas o adhesivo de bloqueo de roscas para varias conexiones. Si estos se aflojan, deberán sustituirse por nuevos tornillos de seguridad o tuercas, o deberán fijarse con nuevo adhesivo de bloqueo.

8 Mantenimiento

8.1 Mantenimiento y revisión

Si se respetan las instrucciones de seguridad y limpieza indicadas a continuación, el producto no precisa ningún mantenimiento.

Para garantizar un óptimo funcionamiento y la máxima seguridad, deben realizarse periódicamente las siguientes comprobaciones:

- Compruebe con regularidad que el producto y los accesorios no estén dañados. No utilice el producto si está defectuoso.
- Compruebe la función de inclinación del chasis del asiento y el respaldo (Ocean Dual VIP Ergo). Son obligatorios una inclinación sencilla y un bloqueo seguro de la posición.
- En caso de daño o de funcionamiento incorrecto, se recomienda ponerse en contacto con el proveedor.
- Asegúrese de que el producto está montado de forma segura, incluidas todas las cubiertas de protección, y de que los tornillos están apretados correctamente.



¡ADVERTENCIA!

Riesgo de lesiones y daños

Si el producto no está ajustado correctamente, puede provocar accidentes y lesiones graves.

- El producto deberá repararlo un técnico cualificado.
- Las partes dañadas deberá sustituirlas un técnico cualificado.
- Utilice solo recambios originales de Invacare.

8.2 Limpieza y desinfección

El producto puede limpiarse y desinfectarse con productos disponibles en el mercado.



¡IMPORTANTE

Como el cuarto de baño y el inodoro son espacios delicados, la higiene resulta especialmente importante.

- Limpie el producto con regularidad para mantenerlo siempre limpio.
- Desinfecte el producto con regularidad.

1. Desinfecte el producto limpiando todas las superficies accesibles con desinfectante (después de desmontarlo, si es posible).



¡IMPORTANTE

Todos los productos de limpieza y desinfectantes empleados deben ser eficaces, compatibles entre sí y deben proteger los materiales que se van a limpiar. Para obtener más información sobre descontaminación en entornos sanitarios, consulte las directrices de "The National Institute for Clinical Excellence" sobre el control de infecciones www.nice.org.uk/CG139, así como su política local de control de infecciones.

- Limpie el producto a mano o en una lavadora o autoclave.
- No se debe limpiar con productos abrasivos.

Limpeza en un entorno doméstico

1. Retire cualquier accesorio instalado (solo accesorios que no requieran herramientas).
2. Saque los reposapiés de las guías.
3. Quite la placa del asiento y la funda del respaldo.
4. Retire las cubiertas de los frenos y las cubiertas de protección de las abrazaderas, consulte el capítulo 4.2.9 *Montaje/desmontaje de las cubiertas de los frenos / cubiertas de protección de las abrazaderas, página 152*
5. Limpie las piezas individuales con un paño o cepillo y con productos de limpieza o desinfección disponibles en el mercado.
6. Enjuague las piezas con agua templada.
7. Seque las piezas con un paño.
8. Vuelva a montar el producto, consulte el capítulo 4: Instalación.

Limpeza en un entorno clínico



Además del procedimiento de limpieza descrito anteriormente, recomendamos limpiar el producto antes de su uso por parte de otro paciente, tras finalizar el periodo de uso o con frecuencia (según lo que ocurra primero)

- A 90 °C durante 1 minuto
 - A 85 °C durante 3 minutos
 - A 80 °C durante 10 minutos
- en el autoclave.



¡PRECAUCIÓN!

Riesgo de quemaduras en la piel

- Deje que el producto se enfríe tras su limpieza en la lavadora o en el autoclave.

Limpeza de la funda del respaldo (opcional)

1. Quite la funda del respaldo.
2. Lave la funda en lavadora a una temperatura máxima de 60 °C con un detergente suave.



¡IMPORTANTE

Riesgo de daños

- El lavado a temperaturas más altas puede provocar daños.
- No secar en la secadora.



¡IMPORTANTE

- Una limpieza excesiva puede dañar el tejido.
- Se recomienda el cambio de la funda del respaldo cada dos años por razones higiénicas.

Limpeza de la cubeta inodora (opcional)

La cubeta inodora puede limpiarse en autoclave a las temperaturas y durante los períodos siguientes:

- A 90 °C durante 1 minuto
- A 85 °C durante 3 minutos
- A 80 °C durante 10 minutos.

9 Después del uso

9.1 Almacenamiento



¡ADVERTENCIA!

Riesgo de dañar el producto

- Guarde el producto en una zona seca.
- No guarde el producto cerca de fuentes de calor.
- No exponga el producto a la luz solar directa.
- Consulte las condiciones de envío y almacenamiento en el capítulo *11.3 Parámetros medioambientales, página 169*



Después de estar almacenado durante un largo periodo de tiempo, puede que sea necesario aplicar más fuerza para accionar el pistón de gas (solo para Ocean Dual VIP Ergo).

9.2 Reutilización

El producto se puede reutilizar. El número de veces que se puede reutilizar depende de la frecuencia y del modo en que se haya utilizado el producto. Antes de reutilizarlo, limpie y desinfecte a fondo el producto (→ *8.2 Limpieza y desinfección, página 163*) y compruebe si existen daños y si está montado correctamente.

9.3 Eliminación

Proteja el medio ambiente y recicle por separado los distintos materiales y componentes de este producto al final de su vida útil en una planta de reciclaje.

La eliminación o el reciclaje de los productos utilizados y del embalaje debe hacerse conforme a las normativas legales sobre el tratamiento de residuos vigentes en cada país. Póngase en contacto con la empresa de gestión de residuos local para obtener información.

10 Solución de problemas

10.1 Identificación y reparación de fallos

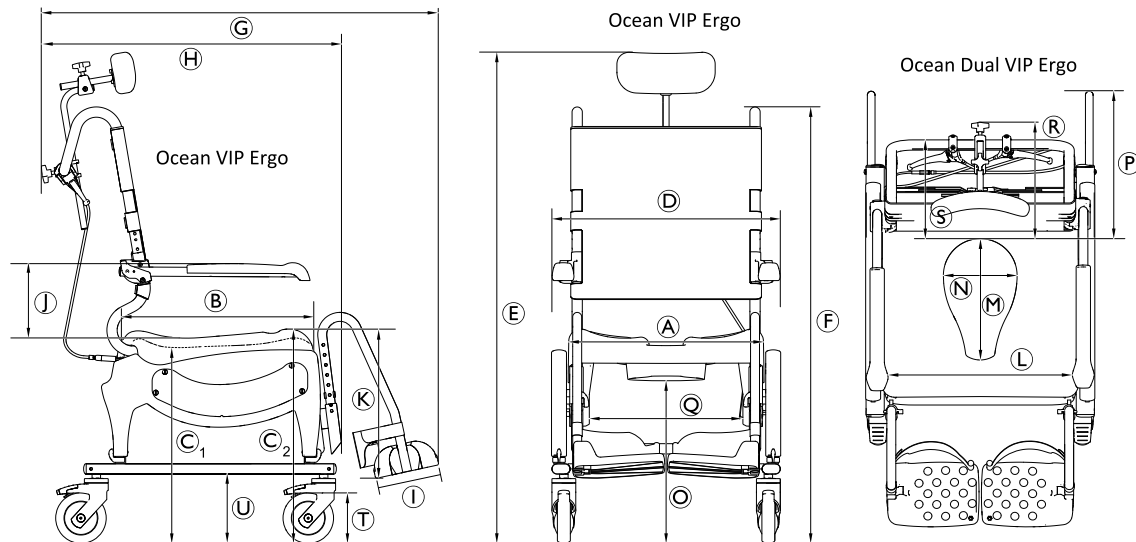


En la siguiente tabla se incluye información sobre fallos de funcionamiento y sus posibles causas. Si no puede corregir el funcionamiento incorrecto con las soluciones indicadas, póngase en contacto directamente con su proveedor.

Error de funcionamiento	Posible causa	Solución
Dificultad a la hora de ajustar la altura del asiento	Suciedad entre el chasis del asiento y la parte lateral	Desmonte el chasis inferior y límpielo a fondo al igual que la parte lateral
Las ruedas giran con dificultad o no giran	Hay suciedad acumulada entre la horquilla y la llanta	Limpie a fondo las ruedas.
Dificultad a la hora de empujar los reposapiés hacia el lateral	Depósitos en las guías	Limpie a fondo los reposapiés y las guías.
El chasis del asiento con respaldo no se puede bascular	Depósitos en el mecanismo de basculación	Retire la cubierta del freno y la cubierta de la palanca del freno y limpie a fondo el mecanismo de basculación
	El cable Bowden no está ajustado correctamente	El cable Bowden debe ajustarlo un técnico cualificado
Se necesita más fuerza para accionar el pistón de gas (Dual VIP)	Almacenamiento por un período largo	Repita la basculación del chasis del asiento varias veces
El respaldo no se puede bascular (Dual VIP)	El cable Bowden no está ajustado correctamente	El cable Bowden debe ajustarlo un técnico cualificado
Traqueteo al bascular el chasis del asiento con respaldo.	El cable Bowden no está ajustado correctamente	El cable Bowden debe ajustarlo un técnico cualificado
	No se tira de la palanca de activación por completo	Tire de la palanca de activación por completo.

11 Datos Técnicos

11.1 Dimensiones y peso



	Ocean VIP Ergo	Ocean VIP Ergo XL	Ocean Dual VIP Ergo
(A)		480 mm	
(B)		480 mm	
(C ₁)		475 mm – 600 mm	
(C ₂)		533 mm – 658 mm	
(D)	565 mm	645 mm	565 mm

	Ocean VIP Ergo	Ocean VIP Ergo XL	Ocean Dual VIP Ergo
Ⓔ	De 1052 mm a 1340 mm aprox. (en la posición neutral del asiento)		
Ⓕ	De 1052 mm a 1202 mm aprox. (en la posición neutral del asiento)		
Ⓖ	1000 mm aprox.		
Ⓗ	742 mm aprox.		
Ⓘ	160 mm		
Ⓝ	213 mm / 251 mm / 289 mm		
Ⓚ	De 319 a 469 mm (en intervalos de 25 mm)		
Ⓛ	455 mm	535 mm	455 mm
Ⓜ	350 mm (parte superior) / 300 mm (parte inferior)		
Ⓝ	250 mm (parte superior) / 182 mm (parte inferior)		
Ⓒ	De 400 mm a 525 mm		
Ⓟ	—	—	380 mm
Ⓠ	385 mm		
Ⓡ	295 mm		—
Ⓢ	230 mm		—
Ⓣ	Æ 5" (127 mm)		
Ⓤ	172 mm		
Ángulo de basculación del asiento	-5° – 40°		

	Ocean VIP Ergo	Ocean VIP Ergo XL	Ocean Dual VIP Ergo
Ángulo de basculación del respaldo	—	—	5° – 35°
Diámetro de giro	2200 mm		
Anchura de marcha atrás	1140 mm		1290 mm
Peso del producto	23,5 kg	23,5 kg	28,3 kg
Peso máximo del usuario	150 kg		

11.2 Materiales

Chasis	Acero inoxidable con recubrimiento en polvo
Placa del asiento	Polipropileno, reforzado con fibra de vidrio
Funda del respaldo	Nailon, revestimiento de PVC
Reposapiés	Polipropileno, reforzado con fibra de vidrio
Almohadilla de los reposabrazos	Polipropileno
Ruedas giratorias	Plásticos y acero inoxidable

Todos los componentes del producto son resistentes a la corrosión y no contienen látex de caucho natural.

11.3 Parámetros medioambientales

Condiciones de funcionamiento	
Temperatura ambiente	De 10 a 65 °C
Humedad relativa	Del 15 % al 93 % sin condensación
Presión atmosférica	De 795 a 1060 hPa
Condiciones de envío y almacenamiento	
Temperatura ambiente	De 0 a 65 °C
Humedad relativa	Del 30 % al 75 % sin condensación
Presión atmosférica	De 795 a 1060 hPa

Índice

Este manual TEM de ser fornecido ao utilizador do produto. ANTES de utilizar este produto, este manual DEVE ser lido e guardado para referência futura.

1 Geral	172
1.1 Introdução	172
1.2 Símbolos utilizados neste manual	172
1.3 Informações da garantia	173
1.4 Conformidade	173
1.4.1 Normas específicas do produto	173
1.5 Utilização prevista	173
1.6 Vida útil	174
2 Segurança	175
2.1 Informações de segurança	175
2.2 Etiquetas e símbolos no produto	175
3 Componentes	178
3.1 Descrição geral	178
4 Configuração	180
4.1 Informações de segurança	180
4.2 Montar a cadeira sanitária de chuveiro e sanita	180
4.2.1 Ajustar a altura do assento	180
4.2.2 Instalar o encosto	181
4.2.3 Instalar o manípulo de ativação	182
4.2.4 Instalar/Remover a placa de assento	183
4.2.5 Ajustar a altura dos apoios de braços	183
4.2.6 Instalar os apoios de pés	184
4.2.7 Instalar o apoio de cabeça	185
4.2.8 Instalar os dispositivos antiqueda traseiros	185
4.2.9 Instalar/remover as tampas do travão/tampas de proteção da abraçadeira	186
5 Acessórios (opcionais)	188
5.1 Encaixar/Retirar o suporte da sanita e a sanita	188

6 Utilização	190
6.1 Informações de segurança	190
6.2 Rodar os apoios de braços	191
6.3 Rodar os apoios de pés	192
6.4 Inclinarm a estrutura de assento com o encosto	192
6.5 Inclinarm o encosto (apenas o modelo Ocean Dual VIP Ergo)	194
6.6 Engatar/Desengatar os bloqueios dos rodízios	195
7 Transporte	196
7.1 Informações de segurança	196
8 Manutenção	197
8.1 Manutenção e inspeção	197
8.2 Limpeza e desinfecção	197
9 Após a utilização	199
9.1 Armazenamento	199
9.2 Reutilização	199
9.3 Eliminação	199
10 Resolução de problemas	200
10.1 Identificar e reparar falhas	200
11 Características Técnicas	201
11.1 Dimensões e peso	201
11.2 Materiais	203
11.3 Parâmetros ambientais	203

1 Geral

1.1 Introdução

Este manual de utilização contém informações importantes sobre o manuseamento do produto. Para garantir a segurança durante a utilização do produto, leia atentamente o manual de utilização e siga as instruções de segurança.

Tenha em atenção que este manual de utilização pode conter secções não aplicáveis ao seu produto, uma vez que se refere a todos os modelos disponíveis (à data da impressão). Salvo menção em contrário, cada secção deste manual refere-se a todos os modelos do produto.

Os modelos e configurações disponíveis no seu país podem ser encontrados em catálogos de preços específicos do país.

A Invacare reserva-se o direito de alterar as especificações do produto sem aviso prévio.

Antes de ler este manual, certifique-se de que tem a versão mais recente. A versão mais recente está disponível no site da Invacare, em formato PDF.

Se o tamanho do tipo de letra na versão impressa do manual de utilização for difícil de ler, pode transferir uma versão em PDF do manual a partir do site. A imagem do PDF pode ser ajustada no ecrã para um tamanho de tipo de letra que lhe seja mais cómodo.

Para obter mais informações sobre o produto, por exemplo, avisos de segurança de produtos e retiradas de produtos do mercado, contacte o seu representante da Invacare. Consulte os endereços no final deste documento.

1.2 Símbolos utilizados neste manual

Neste manual as advertências são indicadas por símbolos. Os símbolos de advertência são acompanhados por um cabeçalho que indica a gravidade do perigo.



ADVERTÊNCIA

Indica uma situação perigosa que, se não for evitada, poderá resultar em morte ou em lesões graves.



ATENÇÃO

Indica uma situação perigosa que, se não for evitada, poderá resultar em lesões menores ou ligeiras.



IMPORTANTE

Indica uma situação perigosa que, se não for evitada, poderá resultar em danos à propriedade.



Sugestões e recomendações

Fornece sugestões, recomendações e informações úteis para uma utilização eficiente, sem problemas.



Este produto está em conformidade com a Directiva 93/42/CEE sobre dispositivos médicos. A data de lançamento deste produto é indicada na declaração de conformidade CE.



Fabricante do produto.

1.3 Informações da garantia

Facultamos uma garantia de fabrico para o produto, em conformidade com os nossos Termos e Condições Gerais de Compra nos respetivos países.

As reclamações de garantia só podem ser realizadas através do fornecedor ao qual o produto foi adquirido.

1.4 Conformidade

A qualidade é fundamental para o funcionamento da empresa, estando em conformidade com a norma ISO 13485.

Este produto apresenta a marca CE, em conformidade com a Diretiva dos Dispositivos Médicos 93/42/CEE de Classe 1.

Temos empreendido um esforço contínuo para reduzir ao mínimo o impacto local e global da empresa no ambiente.

Apenas utilizamos materiais e componentes que cumprem a diretiva REACH.

1.4.1 Normas específicas do produto

O produto foi testado e está em conformidade com a norma ISO 17966 (Produtos de assistência para higiene pessoal dos utilizadores) e com todas as normas relacionadas. Tal inclui testes relacionados com a inflamabilidade. A ignição por combustão lenta progressiva e a ignição por chama não ocorrem.

Para obter informações adicionais sobre as normas e os regulamentos locais, contacte o representante local da Invacare. Consulte os endereços no final deste documento.

1.5 Utilização prevista

A cadeira sanitária de chuveiro e sanita foi concebida exclusivamente como apoio para o banho de chuveiro ou imersão, para uso da sanita, para utilização durante a higiene pessoal (ou seja, em frente ao lavatório) ou para transferência de pacientes dentro de casa. Destina-se a ser utilizada por pacientes jovens ou adultos, com ou sem assistência de um prestador de cuidados, que têm:

- Dificuldades em manter-se de pé ou conservar o equilíbrio
- Pernas frágeis ou invalidez dos membros inferiores
- Problemas clínicos que interferem com o equilíbrio

Este produto destina-se a utilização em instituições e residências de particulares. Qualquer outra utilização está interdita.



ADVERTÊNCIA! **Risco de lesões**

- Nunca utilize o produto como um acessório para entrar e sair de uma banheira, para subir ou descer, nem como apoio para fins semelhantes.
- Não utilize o produto no exterior.

Como cadeira sanitária, o produto pode ser utilizado sobre uma sanita comum ou de forma independente com a estrutura da sanita (opcional).

Temperatura de utilização: 10 - 65 °C

1.6 Vida útil

A vida útil prevista deste produto é de cinco anos, quando o mesmo é utilizado diariamente e em conformidade com as instruções de segurança, intervalos de manutenção e utilização correcta indicados neste manual. A vida útil efectiva pode variar de acordo com a frequência e intensidade de utilização.

2 Segurança

2.1 Informações de segurança



ADVERTÊNCIA!

Risco de lesão ou danos

- Não utilize este produto ou qualquer equipamento opcional disponível sem primeiro ler e compreender estas instruções e todo o material de instrução adicional, assim como os manuais de utilização, os manuais de assistência ou os folhetos de instruções fornecidos com este produto ou com equipamento opcional.
- Se não compreender as advertências, os avisos ou as instruções, contacte um profissional de cuidados de saúde, um técnico qualificado ou um fornecedor Invacare antes de tentar utilizar este equipamento.



ADVERTÊNCIA!

Risco de lesão

- Não se coloque de pé em cima do produto.
- Não utilizar como auxiliador de escada.
- Não utilizar no exterior.



ADVERTÊNCIA!

Risco de lesão

- Não utilizar se apresentar defeitos.
- Em caso de avaria, contacte imediatamente o seu fornecedor.
- Não faça quaisquer modificações ou alterações não autorizadas ao produto.
- Utilize apenas acessórios fabricados para este produto.



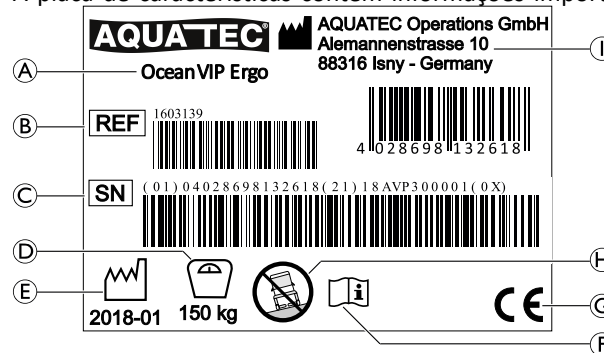
IMPORTANTE!

As informações neste documento podem ser alteradas sem aviso prévio.

2.2 Etiquetas e símbolos no produto

Placa de características

A placa de características contém informações importantes:




(A)	Designação do produto
(B)	Número de referência
(C)	Número de série
(D)	Peso máximo do utilizador
(E)	Data de fabrico
(F)	Ler o manual de utilização
(G)	Marca de conformidade
(H)	Nota (utilizar apenas em superfícies planas)
(I)	Morada do fabricante




A placa de características encontra-se fixada no interior da parte lateral esquerda.

Etiquetas no produto

A seguinte etiqueta está fixada na parte posterior do apoio de cabeça:

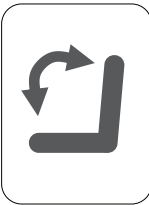
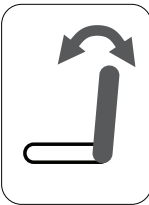
Etiqueta	Descrição
	<p>PRECAUÇÃO!</p> <p>Risco de impacto</p> <p>O seu corpo pode ser atingido pelo encosto/apoio de cabeça ao puxar pelo manípulo de ativação.</p> <p>– Certifique-se de que existe espaço suficiente entre si e o encosto/apoio de cabeça quando inclinar a estrutura de assento com o encosto.</p>

A seguinte etiqueta está fixada ao manípulo do encosto:

Etiqueta	Descrição
	<p>ADVERTÊNCIA!</p> <p>Risco de basculação</p> <ul style="list-style-type: none"> – Não pise o apoio de pés ao sentar-se ou levantar-se da cadeira sanitária de chuveiro e sanita. – Empurre os apoios de pés para os lados ou dobre as placas de pés para cima antes de se sentar ou levantar da cadeira sanitária de chuveiro e sanita. – Antes de se sentar ou levantar, rode os rodízios de modo a que o bloqueio aponte para cima. – Não se incline demasiado para a frente ao sentar-se na cadeira sanitária de chuveiro e sanita.

As seguintes etiquetas estão fixadas nos manípulos de ativação:

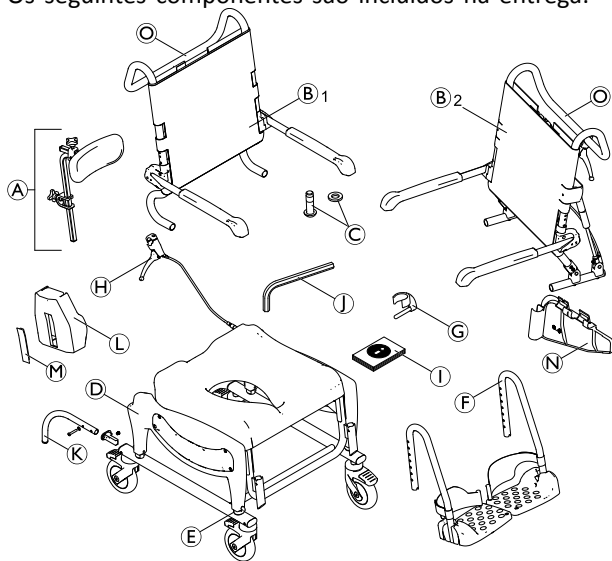
Etiqueta	Descrição
----------	-----------

	<p>Manípulo de ativação para inclinação do assento.</p>
	<p>Manípulo de ativação apenas para inclinação do encosto.</p>

3 Componentes

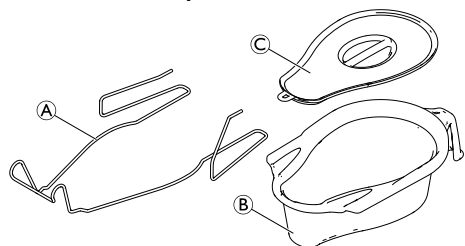
3.1 Descrição geral

Os seguintes componentes são incluídos na entrega:



(A)	Apoio de cabeça
(B ₁)	Ocean VIP Ergo: encosto com tela de encosto e apoios de braços
(B ₂)	Ocean Dual VIP Ergo: encosto com tela de encosto, apoios de braços e manípulo de ativação para inclinação do encosto

(C)	Parafusos (4x) e anilhas (4x) para fixação do encosto
(D)	Estrutura de assento com placa de assento e parte laterais com chassis da base e rodízios
(E)	Grampos (4x) de ajuste da altura
(F)	Apoios de pés com calcanheira (2x)
(G)	Grampos (2x) para o apoio de pés
(H)	Manípulo de ativação para inclinação do assento
(I)	Manual de utilização
(J)	Chave Allen
(K)	Dispositivo antiqueda traseiro com parafuso, anilha e tampa de montagem (2x) (apenas o modelo Ocean Dual VIP Ergo)
(L)	Tampa de travão (2x)
(M)	Tampa da alavanca de travagem (2x)
(N)	Tampa de proteção da abraçadeira (2x)
(O)	Barra de empurrar

Acessório — Suporte de sanita com sanita

(A)	Suporte de sanita
(B)	Sanita
(C)	Tampa

4 Configuração

4.1 Informações de segurança



ADVERTÊNCIA!

- Verifique se as peças foram danificadas durante o transporte e, se necessário, contacte o fornecedor.
- Durante a montagem, certifique-se de que as peças estão posicionadas corretamente em relação umas às outras.
- Parafusos e porcas de bloqueio automático ou adesivos de bloqueio de rosca são utilizados para várias ligações. Se estes tiverem soltos, deverão ser substituídos por novos parafusos ou porcas de bloqueio automático, ou deverão ser fixados utilizando novo adesivo de bloqueio de rosca.

4.2 Montar a cadeira sanitária de chuveiro e sanita

Esta secção descreve a montagem. A desmontagem funciona da forma inversa.



Para a cadeira estar perfeitamente adaptada ao utilizador, a altura do apoio de braço, o ângulo do apoio de pés, o apoio de cabeça, a presilha de calcanhar, a tensão da capa do encosto e os acessórios têm de estar bem ajustados.

4.2.1 Ajustar a altura do assento

Esta secção descreve a montagem. A desmontagem funciona da forma inversa.

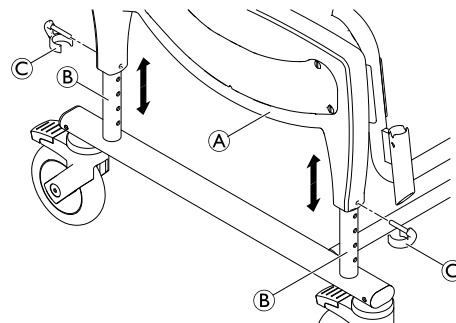


ADVERTÊNCIA!

- Não ajuste a altura do assento da sanita com alguém nela sentado.



A altura do assento tem de ser adaptada simultaneamente em ambos os lados.



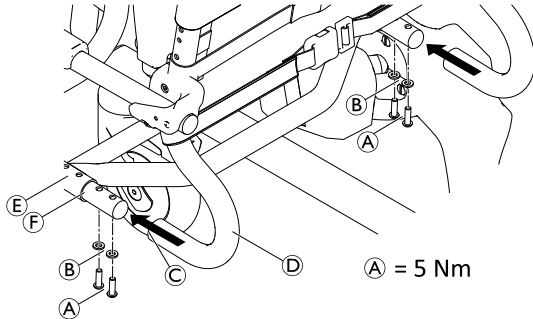
1. Eleve ligeiramente a sanita pela parte lateral (A).
2. Retire os quatro grampos (C) (dois em cada lado).
3. Regule para a altura correta movendo simultaneamente a estrutura de assento para cima ou para baixo nos quatro tubos (B) do chassis da base.
4. Alinhe os encaixes dos grampos na parte lateral com um orifício no chassis da base.
5. Insira os quatro grampos desde o lado de fora da parte lateral, até as extremidades dos grampos rodearem o tubo do chassis da base (B).

**ADVERTÊNCIA!****Risco de lesões**

- Certifique-se que os quatro grampos estão todos bem apertados.
- Certifique-se de que os quatro tubos estão todos regulados para a mesma altura.



A altura do assento pode ser ajustada para acomodar situações diferentes de utilização, por exemplo, a transferência a partir de uma cama ou cadeira de rodas ou a utilização sobre uma sanita, etc.

4.2.2 Instalar o encosto

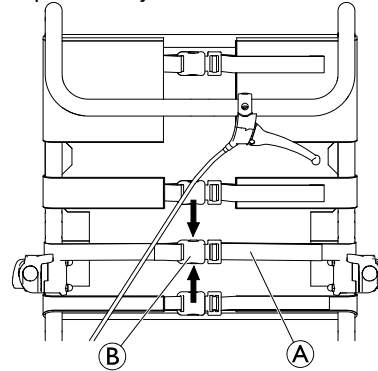
1. Empurre os quatro pedais dos rodízios para baixo para os bloquear.
2. Empurre o encosto **D** por trás contra a estrutura de assento **E**, até a flange **C** ficar encostada ao tubo da estrutura de assento **F**.

**IMPORTANTE!**

- Aperte com firmeza os parafusos, utilizando a chave Allen facultada.
 - Verifique regularmente os parafusos para assegurar que estão apertados com segurança.
3. Posicione uma anilha **B** em cada parafuso **A** e fixe o encosto em cada lado.
 4. Aperte os parafusos até um torque de 5 Nm.

Ajustar a capa do encosto

É possível ajustar a tensão do encosto conforme necessário.

**ADVERTÊNCIA!**

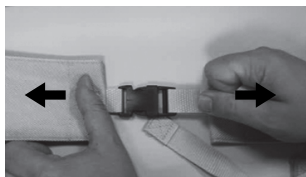
- Certifique-se de que são passados pelo menos três cintos à volta da estrutura do encosto (na parte exterior) e que as fivelas dos cintos são fechadas.

Apertar:

1. Puxe os cintos (A) da capa do encosto para os apertar.

Desapertar:

1. Abra as fivelas (B) apertando as presilhas de retenção em conjunto (setas).
2. Empurre os cintos ligeiramente através da fivela.
3. Feche as fivelas dos cintos.
4. Volte a apertar os cintos com cuidado.



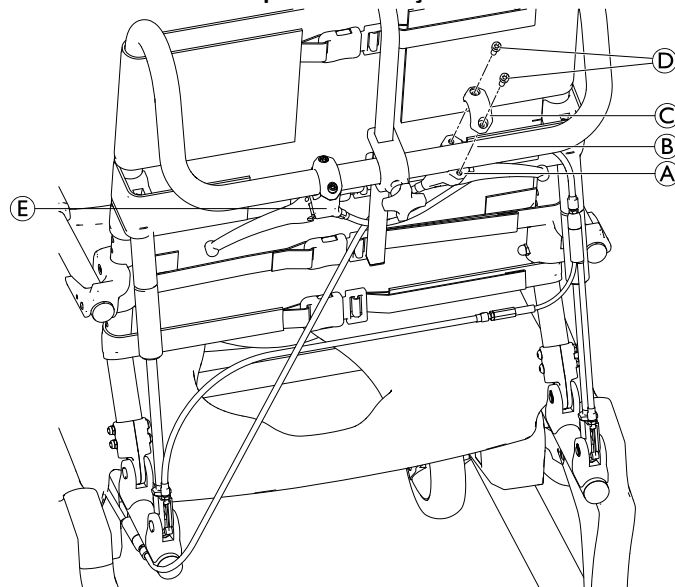
ADVERTÊNCIA!

Risco de lesão devido a fivelas do encosto danificadas!

Verifique se as fivelas do encosto estão fechadas de forma segura sempre que o produto for objeto de manutenção ou recondicionamento.

- Verifique se todos os cliques da fivela estão fixos de forma segura, fechando as fivelas e puxando ambas as extremidades.
- Substitua o encosto/as fivelas do encosto se uma fivela se abrir sob a força exercida.

4.2.3 Instalar o manípulo de ativação




1. Retire a peça de fixação (C) do manípulo de ativação (A) desapertando os parafusos (D).
2. Posicione o manípulo de ativação (A) para inclinação do assento a partir da parte de baixo no lado direito do tubo do manípulo (B).



O manípulo deve ser rodado ligeiramente para dentro do encosto.

3. Instale o manípulo de ativação no tubo do manípulo utilizando a peça de fixação (C) e os parafusos (D).

 Para o modelo Ocean Dual VIP Ergo, o manípulo de ativação **E** para inclinação do encosto já está instalado no lado esquerdo do tubo do manípulo. Se necessário, a posição do manípulo de ativação pode ser alterada.

4.2.4 Instalar/Remove a placa de assento

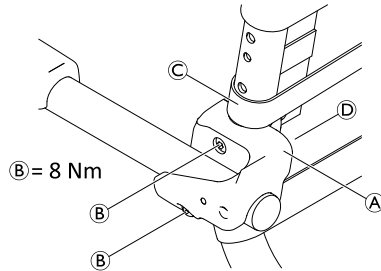
Instalar:

1. Coloque a placa de assento na estrutura de assento com o corte virado para a frente.
2. Com a mão numa posição plana, pressione a placa de assento para baixo nos lados e depois à frente e atrás até que esta encaixe na estrutura de assento.


Remove:

1. Puxe a placa de assento no sentido ascendente pela parte traseira.


4.2.5 Ajustar a altura dos apoios de braços




1. Na capa do encosto, abra o segundo cinto mais baixo **C** e desaperte os outros cintos.

 As porcas estão inseridas sem estarem apertadas no grampo de fixação e podem cair.

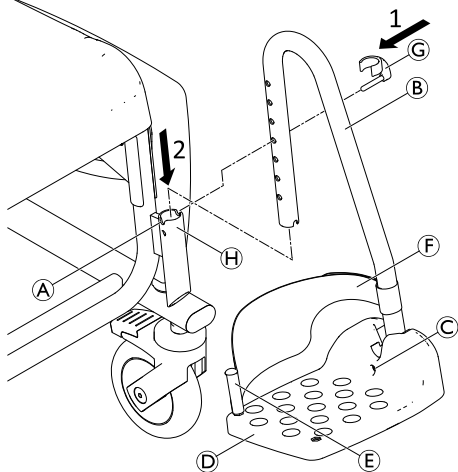
2. Desaperte os parafusos **B** do suporte do apoio de braço **A** utilizando a chave Allen fornecida.
3. Retire o grampo de fixação **D** com as porcas do interior da estrutura do encosto.
4. Retire o suporte do encosto **A** com o apoio de braço e mova-o para cima.

 O orifício mais pequeno serve para prender o grampo de fixação.

5. Insira os parafusos no suporte do apoio de braço e oriente-os pelos orifícios na estrutura do encosto.
6. Se necessário, volte a colocar as porcas no grampo de fixação.
7. Coloque o grampo de fixação na estrutura do encosto inserindo um pino de fixação no orifício mais pequeno.
8. Rode os parafusos nas porcas e aperte-os.
9. Consoante a altura do apoio de braço, passe o segundo cinto mais baixo pelo exterior ou interior da estrutura do encosto, feche e aperte todos os cintos.
10. O procedimento de ajuste da altura é igual para o apoio de braço direito e esquerdo.

 Para prender os acessórios, pode abrir o segundo cinto mais baixo e a capa do encosto pode ser passada pela estrutura do encosto no interior.

4.2.6 Instalar os apoios de pés



1. Insira o pino do grampo © a partir do lado de fora no orifício necessário no apoio de pés ©. Certifique-se de que o grampo engata à volta do tubo.
2. Insira o apoio de pés na guia © na frente da parte lateral até o pino do grampo © engatar na ranhura ©. Deixa de ser possível virar o apoio de pés de lado.

i O procedimento de montagem é o mesmo para o apoio de pés direito e esquerdo.

Ajustar a altura dos apoios de pés

i Se necessário, os apoios de pés podem ser encurtados (consulte o manual de assistência). O encurtamento dos apoios de pés só pode ser realizado por um técnico qualificado.

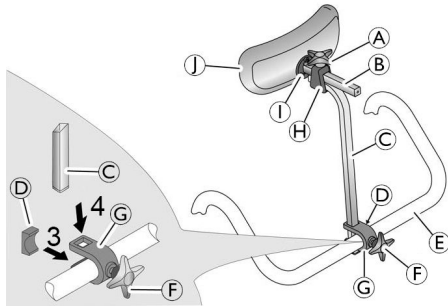
1. Puxe ligeiramente o apoio de pés © para cima.
2. Puxe o grampo © para fora do orifício no apoio de pés e volte a inseri-lo no orifício pretendido. Se necessário, puxe o apoio de pés um pouco mais.
3. Empurre o apoio de pés para baixo até a ranhura © engatar no pino do grampo.
4. Coloque o outro apoio de pés à altura pretendida da forma descrita.

Ajustar a inclinação das placas de pés

i A inclinação das placas de pés pode ser ajustada de várias formas.

1. Desaperte o parafuso Allen © da placa de pé utilizando uma chave Allen de tamanho 4.
2. Rode a placa de pé © para a posição pretendida.
3. Volte a apertar o parafuso Allen.

4.2.7 Instalar o apoio de cabeça



1. Utilize o manípulo em estrela ⑥ para inserir o parafuso ligeiramente na calha ⑦.
2. Empurre a calha com o parafuso na direção do manípulo do encosto ⑤ a partir da parte detrás de modo a que o parafuso engate no orifício do manípulo do encosto.
3. Insira a placa ④ na calha a partir da parte da frente de modo a que ambas as presilhas da placa estejam voltadas para baixo e para cima e a parte lateral curva da placa toque no manípulo do encosto.
4. Empurre o tubo de ajuste da altura ③ a partir de cima na direção das reentrâncias do suporte.
5. Utilize o manípulo em estrela para apertar o parafuso até o tubo de ajuste da altura estar fixado no lugar.
6. Empurre a almofada ① e o suporte da almofada ② contra o suporte ④ no tubo de ajuste da altura.
7. Utilize o manípulo em estrela ⑥ para apertar o parafuso superior até o suporte da almofada estar fixado no lugar.



Para ser adaptado ao utilizador, o tubo de ajuste da altura pode ser ajustado com a curva voltada para a frente ou para trás.

A almofada do apoio de cabeça ① pode ser retirada e substituída por almofadas de outros formatos (opcional). Para a retirar, desaperte os parafusos de retenção ①.

Ajustar o comprimento do apoio de cabeça



Os tubos do apoio de cabeça ③ e ② podem ser encurtados (consulte o manual de assistência). O encurtamento do tubo do apoio de cabeça só pode ser realizado por um técnico qualificado.

4.2.8 Instalar os dispositivos antiqueda traseiros



ADVERTÊNCIA!

Risco de basculação

Existe um risco de lesões graves na cadeira Ocean Dual VIP Ergo quando o encosto é inclinado. A cadeira completa pode inclinar-se para trás.

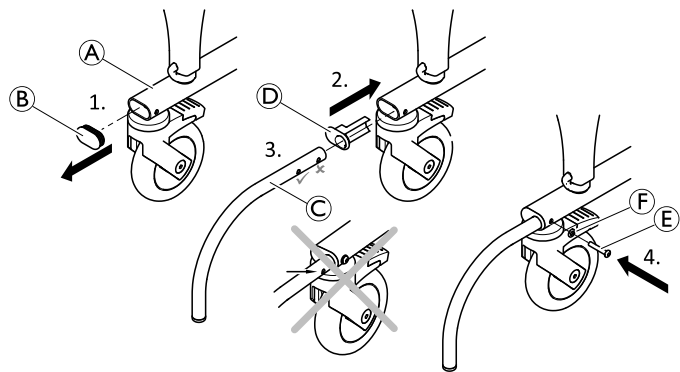
- Antes de utilizar a cadeira Ocean Dual VIP Ergo, certifique-se de que ambos os dispositivos antiqueda traseiros estão instalados.



ADVERTÊNCIA!

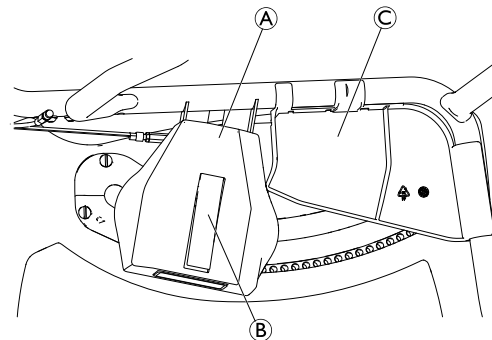
Risco de lesões

- Nunca se coloque de pé sobre os dispositivos antiqueda.



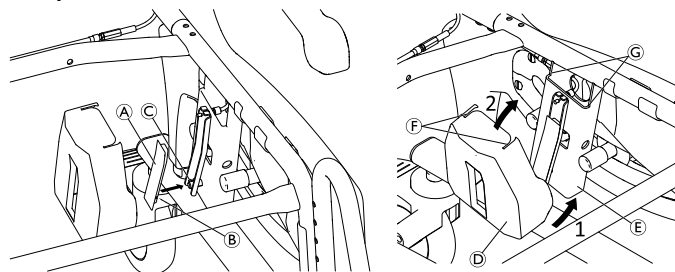
1. Remova a tampa B do chassis da base A.
2. Prenda a tampa de montagem D ao chassis da base.
3. Insira a ponteira antiqueda C.
4. Fixe o dispositivo antiqueda ao segundo orifício utilizando o parafuso E com a anilha F.
5. Instale o dispositivo antiqueda no outro lado.

4.2.9 Instalar/remover as tampas do travão/tampas de proteção da abraçadeira



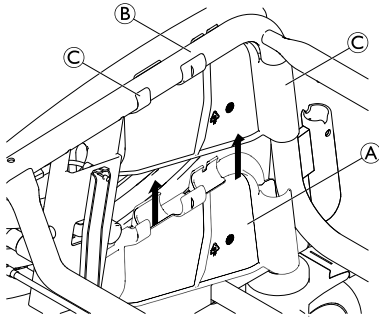
(A)	Tampa do travão
(B)	Tampa da alavanca de travagem
(C)	Tampa de proteção da abraçadeira

Tampa do travão



1. Prenda a tampa da alavanca de travagem ① prendendo a ranhura ② na parte superior do eixo pequeno ③.
2. Posicione a parte inferior da tampa do travão ④ num ângulo a partir de baixo sobre a caixa do travão ⑤.
3. Dobre a parte superior da tampa do travão para a caixa do travão de modo a que as reentrâncias ⑥ fiquem alinhadas com as extremidades ⑦.
4. Instale a segunda tampa do travão no outro lado.

Tampa de proteção da abraçadeira



1. Instale a tampa de proteção da abraçadeira ① encaixando-a nos tubos do chassi ②. Certifique-se de que todos os grampos ③ estão bem engatados.
2. Instale a segunda tampa de proteção da abraçadeira no outro lado.

5 Acessórios (opcionais)

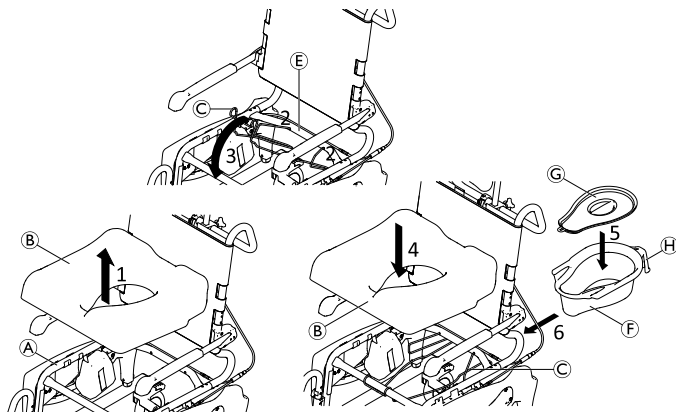


ADVERTÊNCIA!

Risco de lesão

– A montagem dos acessórios (opcionais) deve ser realizada de acordo com as instruções correspondentes.

5.1 Encaixar/Retirar o suporte da sanita e a sanita



O suporte da sanita (F) pode ser inserido/retirado com ou sem a tampa (G).

1. Retire o assento (B) do chassis (A).
2. Insira as extremidades do suporte da sanita (C) pelos orifícios do tubo transversal traseiro (E).

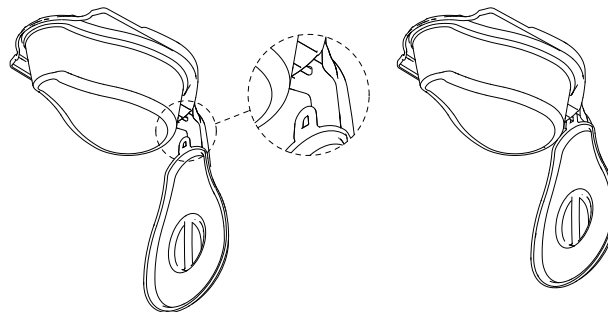
3. Engate a parte dianteira do suporte da sanita no tubo transversal dianteiro (D).
4. Reajuste o assento ao chassis.
5. Coloque a tampa ou retire-a da sanita.
6. Segure a sanita pelo seu manípulo (H) e insira o lado traseiro entre o suporte da sanita e o assento.



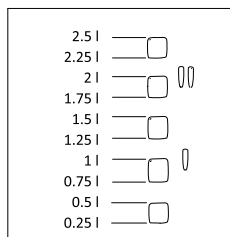
Pressione a sanita ligeiramente para baixo ao inserir ou retirar.



A tampa pode ser pendurada no gancho de plástico por baixo do manípulo da sanita.



Existe um indicador de nível de preenchimento na parede interna da sanita.



6 Utilização

6.1 Informações de segurança



ADVERTÊNCIA!

- Utilize a cadeira sanitária de chuveiro e sanita apenas numa superfície plana e no interior.
- Respeite as especificações da placa de características. Não sobrecarregue a cadeira sanitária de chuveiro e sanita.
- Observe as etiquetas de segurança na parte lateral do apoio de cabeça e no manípulo do encosto (2.2 *Etiquetas e símbolos no produto, página 179*).
- Não coloque peso excessivo sobre a cadeira sanitária de chuveiro e sanita.
- Antes de cada utilização, realize sempre uma inspeção visual do produto, procurando sinais de danos exteriores.



ADVERTÊNCIA!

Risco de escorregar

- Antes de utilizar a cadeira sanitária, certifique-se de que o assento está bem preso à estrutura de assento.
- Prenda os rodízios com alavancas utilizando alavancas de pé antes se sentar ou se levantar da cadeira sanitária de chuveiro e sanita, e quando se encontra na posição de estacionamento.



ADVERTÊNCIA!

Risco de basculação

- Rode os apoios de pés lateralmente ou dobre as placas de pé para cima antes de se sentar ou levantar.
- Antes de se sentar ou levantar, rode os rodízios dianteiros de modo a que o bloqueio aponte para cima.
- Nunca se coloque de pé sobre os apoios de pés.
- Não se incline excessivamente para a frente.
- Empurre o utilizador sentado na sanita apenas quando a estrutura de assento e o encosto estiverem colocados numa posição vertical.
- Transfira o utilizador de ou para a sanita apenas quando a estrutura de assento e o encosto estiverem colocados numa posição vertical.
- Nunca retire as molas pneumáticas (apenas o modelo Ocean Dual VIP Ergo).



ADVERTÊNCIA!

Risco de lesões!

- Antes de utilizar o Assento flexível variável (acessório opcional), é necessário instalar as tampas laterais (n.º de peça AP1605002).



ADVERTÊNCIA!

Risco de basculação para trás!

- A Ocean Dual VIP Ergo só pode ser utilizada se os dispositivos antiqueda traseiros estiverem instalados.

**ADVERTÊNCIA!****Risco de basculação**

- A cadeira sanitária de chuveiro e sanita só deve ser deslocada usando a barra de empurrar.

**ATENÇÃO!****Risco de queimaduras na pele**

- Os componentes do produto podem aquecer quando são expostos a fontes externas de calor.
- Tenha em atenção as superfícies aquecidas quando utilizar a cadeira sanitária de chuveiro e sanita na sauna ou em caso de exposição a água quente.
 - Não exponha o produto a luz solar direta antes da utilização.

**ATENÇÃO!****Risco de entalar os dedos devido ao mecanismos de inclinação**

- Quando inclinar a estrutura de assento, certifique-se de que os braços do utilizador estão colocados nos apoios de braços.
- Certifique-se de que a tampa de proteção da abraçadeira está instalada no chassis. Consulte a secção 4.2.9 *Instalar/remover as tampas do travão/tampas de proteção da abraçadeira*, página 186

**IMPORTANTE!****Risco de partir o apoio de cabeça**

- Conduza ou empurre a cadeira sanitária de chuveiro e sanita apenas utilizando o manípulo no encosto, nunca pelo apoio de cabeça.

**IMPORTANTE!****Risco de danos no produto**

- Não levante a cadeira sanitária de chuveiro e sanita utilizando os apoios de pés, os apoios de braços ou quaisquer outros acessórios.



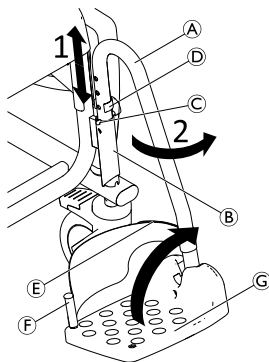
Para os utilizadores com elevado risco de se porem de pé nos apoios de pés (por exemplo, utilizadores com demência), estão disponíveis dispositivos antiqueda frontais (n.º de peça AP1603992) como acessórios para impedir que a cadeira sanitária de chuveiro e sanita tombe para a frente.

6.2 Rodar os apoios de braços

**ATENÇÃO!****Risco de entalar os dedos no mecanismo de dobragem**

- Não insira os dedos na articulação quando dobrar os apoios de braços para cima ou para baixo.
- Não insira os dedos entre o apoio de braço e o encosto ao dobrar os apoios de braços para trás.
- Certifique-se de que nenhuma peça fica presa nas articulações.

6.3 Rodar os apoios de pés



Posição de entrada/saída:

1. Puxe o apoio de pés **A** ligeiramente para cima na guia **B** até o pino do grampo **D** deixar de estar engatado na ranhura **C**.
2. Rode o apoio de pés para o lado.

Posição de condução:



ATENÇÃO!

Risco de acidente devido a um apoio de pés solto

– Fixe os apoios de pés na posição de condução.

1. Rode o apoio de pés **A** para dentro.
2. Pressione o apoio de pés no sentido para baixo, até o pino do grampo **D** engatar na ranhura **C**.



Em alternativa, é possível rodar as placas de pés **G** para cima para entrar/sair da cadeira sanitária de chuveiro e sanita.

Remover/Encaixar a presilha de calcanhar

1. Abra a presilha de velcro **E** na presilha de calcanhar.
2. Retire o parafuso **F** da parte inferior da placa de pé.
3. Retire a presilha de calcanhar do pino de plástico flexível.



Para prender a correia, execute o mesmo procedimento pela ordem inversa.



Durante a instalação, certifique-se de que a fita de velcro da presilha de calcanhar está orientada para trás.

6.4 Incliná a estrutura de assento com o encosto



IMPORTANTE!

– Ao inclinar a cadeira sanitária, nunca se aproxime da área entre a estrutura de assento com o encosto e a estrutura tubular dianteira entre as partes laterais.

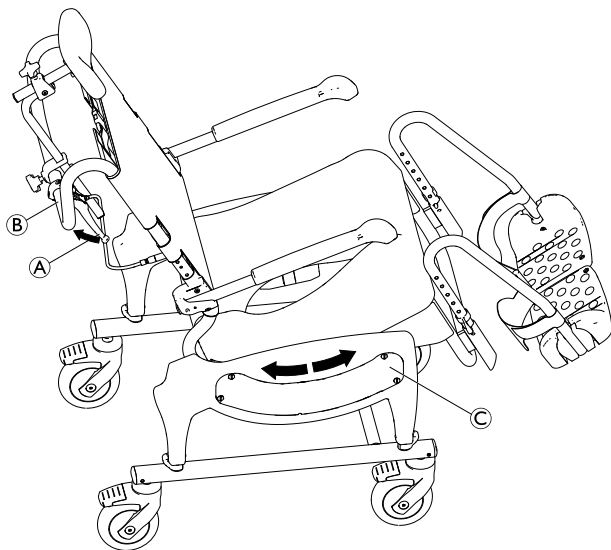
Inclinar para trás/para a frente



A estrutura de assento pode ser inclinada aproximadamente 40° para trás juntamente com o encosto.

i Se os bloqueios dos apoios de braços (acessório opcional) forem utilizados e os apoios de braços forem montados na posição mais baixa possível, o assento não pode ser inclinado completamente para trás. A inclinação máxima é de 35°.

i Para as duas alturas de assento mais baixas, não é possível utilizar o intervalo de ajuste completo do apoio de pés. Antes de utilizar, verifique se os apoios de pés não tocam no chão quando inclina o assento para a frente. Se necessário, reajuste a altura do assento ou a altura do apoio de pés em conformidade.



ATENÇÃO!

Risco de esmagamento

Os seus dedos ou mãos podem ficar presos e entalados pelo mecanismo de inclinação.

– Antes de cada utilização, certifique-se de que as tampas laterais © do mecanismo de inclinação estão montadas corretamente.

1. Empurre os quatro pedais dos rodízios para baixo para os bloquear.
2. Segure a cadeira de duche pela barra de empurrar **B**.
3. Puxe e segure o manípulo de ativação **A**.
4. Regule para a inclinação necessária empurrando para o manípulo **B** para baixo ou puxando-o para cima.
5. Solte o manípulo de ativação e deixe os pinos do mecanismo de inclinação engatarem nos orifícios mais próximos. A estrutura de assento fica posicionada na inclinação regulada atualmente.

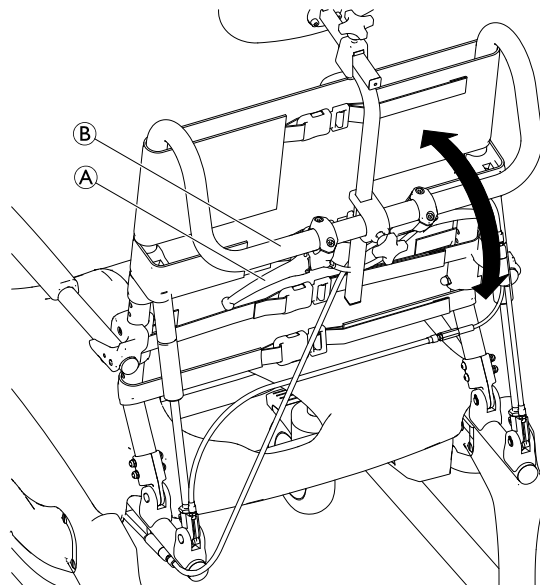
6.5 Inclinor o encosto (apenas o modelo Ocean Dual VIP Ergo)



ATENÇÃO!

Risco de entalar os dedos entre o suporte do apoio de braço e a parte lateral

- Nunca se aproxime da área entre o suporte do apoio de braço e a parte lateral ao inclinar a estrutura de assento para trás ou ao baixar o encosto.
- Ao inclinar a estrutura de assento ou o encosto, certifique-se de que os braços do utilizador estão colocados nos apoios de braços ou cruzados à frente do corpo.





1. Empurre os quatro pedais dos rodízios para baixo para os bloquear.
2. Segure a cadeira de duche pela barra de empurrar B.
3. Puxe e segure o manípulo de ativação A.



O manípulo de ativação está equipado com um dispositivo de bloqueio. Para ativar o manípulo, o dispositivo de bloqueio tem de ser puxado antecipadamente.

4. Incline o encosto para a posição pretendida.
5. Solte o manípulo de ativação para fixar o encosto na posição atual.

 É necessária força acrescida para inclinar o encosto para trás sem o utilizador sentado. O encosto é inclinado de forma automática para cima sem o utilizador sentado quando o manípulo de ativação é puxado.

 Os rodízios com a alavanca azul (opção) são utilizados para engatar o bloqueio de direção para um movimento mais fácil em linha reta.

6.6 Engatar/Desengatar os bloqueios dos rodízios

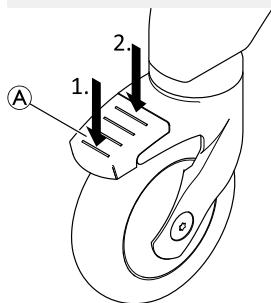



ATENÇÃO!

Risco de apresamento/esmagamento

Todos os bloqueios dos rodízios são acionados pelos pés.

– Não acione os bloqueios de rodízios com as mãos.



1. Para ativar os bloqueios dos rodízios pise a extremidade traseira do pedal  até engatar.
2. Para desativar os bloqueios dos rodízios pise a extremidade dianteira do pedal até desengatar.

7 Transporte

7.1 Informações de segurança



Para transporte, é possível desmontar o produto nas peças fornecidas no âmbito da entrega. Consulte a secção *3 Componentes, página 178*

1. Desmontar o produto: Consulte o capítulo *4 Configuração, página 180* seguindo os passos de montagem pela ordem inversa.



IMPORTANTE!

Risco de danos no produto

- Transporte o produto numa área seca.
- Não exponha o produto a luz solar direta.
- Consulte as condições de armazenamento e transporte na secção *11.3 Parâmetros ambientais, página 203*



IMPORTANTE!

- Parafusos e porcas de bloqueio automático ou adesivos de bloqueio de rosca são utilizados para várias ligações. Se estes tiverem soltos, deverão ser substituídos por novos parafusos ou porcas de bloqueio automático, ou deverão ser fixados utilizando novo adesivo de bloqueio de rosca.

8 Manutenção

8.1 Manutenção e inspeção

O produto não requer manutenção, desde que as instruções de limpeza e segurança descritas abaixo sejam cumpridas.

Para garantir um bom desempenho e segurança, devem efetuar-se regularmente as seguintes verificações:

- Verifique regularmente se o produto e os acessórios apresentam danos. Não utilize o produto se apresentar defeitos.
- Verifique a função de inclinação da estrutura de assento e do encosto (modelo Ocean Dual VIP Ergo) A inclinação fácil e o bloqueio seguro da posição são obrigatórias.
- Em caso de danos ou avaria, recomenda-se que contacte o fornecedor.
- Certifique-se de que o produto está montado de forma segura, incluindo todas as tampas de proteção, e que todos os parafusos estão devidamente apertados.



ADVERTÊNCIA!

Risco de lesões e danos

Se o produto não estiver bem ajustado pode causar acidentes e lesões graves.

- O produto tem de ser reparado por um técnico qualificado.
- As partes danificadas têm de ser substituídas por um técnico qualificado.
- Utilize apenas peças sobressalentes originais da Invacare.

8.2 Limpeza e desinfeção

O produto pode ser limpo e desinfetado utilizando detergentes disponíveis comercialmente.



IMPORTANTE!

Na área sensível da casa de banho e a sanita, a higiene é particularmente importante.

- Limpe o produto com regularidade para o manter sempre limpo.
- Desinfete o produto regularmente.

1. Desinfete o produto limpando com desinfetante todas as superfícies de acesso comum (se possível, desmontando primeiro o produto).



IMPORTANTE!

Todos os agentes de limpeza e desinfetantes utilizados devem ser eficazes, compatíveis entre si e passíveis de proteger os materiais aos quais são aplicados para limpeza. Para obter mais informações sobre a descontaminação em ambientes de cuidados de saúde, consulte as diretrizes sobre controlo de infeções do "National Institute for Clinical Excellence" (www.nice.org.uk/CG139) e as normas de controlo de infeções locais.

- Limpe à mão ou numa máquina de lavar ou autoclave.
- Limpe sem agentes abrasivos.

Limpar num ambiente doméstico

1. Retire todos os acessórios instalados (apenas os acessórios que não requerem ferramentas).
2. Retire os apoios de pés das calhas.
3. Remova a placa de assento e a capa do encosto.
4. Remova as tampas do travão e as tampas de proteção da abraçadeira. Consulte a secção 4.2.9 *Instalar/remover as tampas do travão/tampas de proteção da abraçadeira, página 186*
5. Limpe as peças individuais utilizando um pano ou escova e agentes de limpeza ou desinfetantes disponíveis comercialmente.
6. Enxague as peças com água quente.
7. Seque as peças com um pano.
8. Volte a montar o produto. Consulte o capítulo 4 Configuração.

Limpar num ambiente clínico



Além do procedimento de limpeza descrito antes, recomendamos a limpeza do produto antes de ser utilizado por outro paciente, no final do período de utilização ou numa base regular (dependendo do que ocorrer primeiro) a

- 90 °C durante 1 minuto
- 85 °C durante 3 minutos
- 80 °C durante 10 minutos

na autoclave.



ATENÇÃO!

Risco de queimaduras na pele

- Deixe que o produto arrefeça depois de o limpar na máquina de lavar ou na autoclave.

Limpar a capa do encosto (opcional)

1. Remova da capa do encosto.
2. Lave a capa na máquina a uma temperatura máxima de 60 °C, usando um detergente suave.



IMPORTANTE!

Risco de danos

- A lavagem a temperaturas mais elevadas pode causar danos.
- Não secar à máquina.



IMPORTANTE!

A limpeza excessiva pode danificar os têxteis.

- Recomendamos que substitua a capa do encosto de dois em dois anos por motivos de higiene.

Limpar a sanita (opcional)

A sanita pode ser limpa numa autoclave nas temperaturas e durante os períodos seguintes:

- 90 °C durante 1 minuto
- 85 °C durante 3 minutos
- 80 °C durante 10 minutos.

9 Após a utilização

9.1 Armazenamento



ADVERTÊNCIA!

Risco de danos no produto

- Armazene o produto numa área seca.
- Não armazene o produto junto a fontes de calor.
- Não exponha o produto a luz solar direta.
- Consulte as condições de armazenamento e transporte na secção *11.3 Parâmetros ambientais, página 203*



Depois de um longo período de armazenamento, pode ser necessária maior força para acionar a mola pneumática (apenas o modelo Ocean Dual VIP Ergo).

9.2 Reutilização

O produto é adequado a uma utilização repetida. O número de vezes que pode ser utilizado depende da frequência e forma de utilização do produto. Antes de reutilizar, limpe e desinfete completamente o produto (→ *8.2 Limpeza e desinfeção, página 197*) e verifique se apresenta danos e se está corretamente montado.

9.3 Eliminação

Seja amigo do ambiente e recicle os diferentes materiais e componentes deste produto em separado através das instalações de reciclagem no fim da respetiva vida útil.

A eliminação e a reciclagem de produtos utilizados e da embalagem devem cumprir as leis e os regulamentos relativos à gestão de resíduos de cada país. Para obter informações, contacte a sua empresa de gestão de resíduos local.

10 Resolução de problemas

10.1 Identificar e reparar falhas

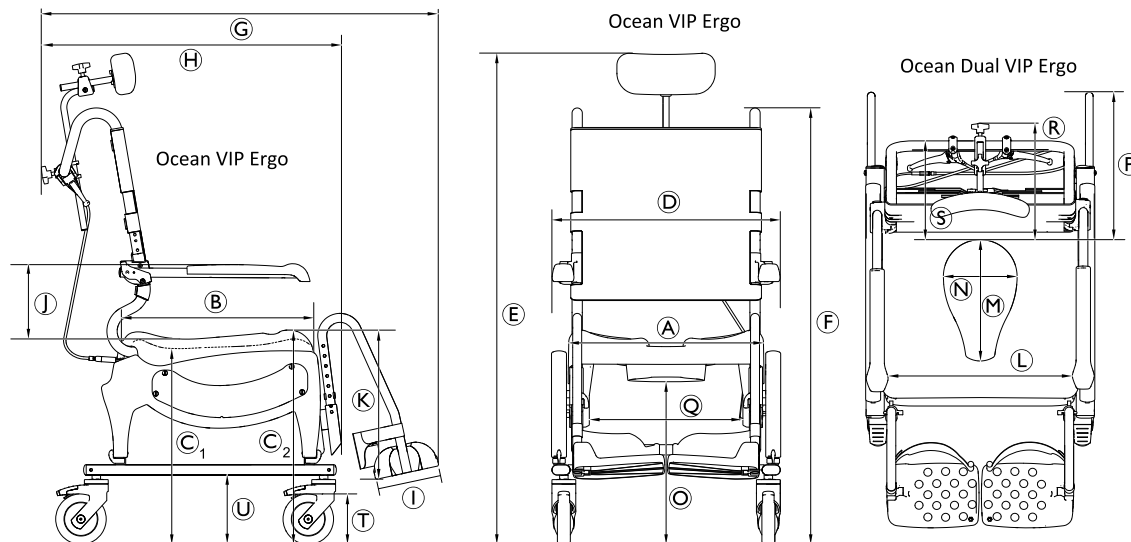


A tabela seguinte faculta informações sobre avarias e as suas causas possíveis. Se não conseguir corrigir a avaria utilizando as soluções indicadas, contacte o seu fornecedor diretamente.

Avaria	Causa possível	Solução
Dificuldade em ajustar a altura do assento	Sujidade entre a estrutura de assento e a parte lateral	Desmonte o chassis da base e limpe rigorosamente o chassis da base e a parte lateral
É difícil ou impossível rodar os rodízios	Sujidade entre a forqueta e o aro	Limpe rigorosamente os rodízios.
Dificuldade em empurrar os apoios de pés para o lado	Depósitos nas calhas	Limpe rigorosamente os apoios de pés e as calhas.
Não é possível inclinar o estrutura de assento com o encosto	Depósitos no mecanismo de inclinação	Retire a tampa do travão e a alavanca de travagem e limpe rigorosamente o mecanismo de inclinação
	O cabo Bowden não está corretamente ajustado	O cabo Bowden tem de ser ajustado por um técnico qualificado
Maior força necessária para acionar a mola pneumática (modelo Dual VIP)	Longo período de armazenamento	Repita a inclinação da estrutura de assento várias vezes.
O encosto não pode ser inclinado (modelo Dual VIP)	O cabo Bowden não está corretamente ajustado	O cabo Bowden tem de ser ajustado por um técnico qualificado
Trepidar durante a inclinação da estrutura de assento com o encosto.	O cabo Bowden não está corretamente ajustado	O cabo Bowden tem de ser ajustado por um técnico qualificado
	O manípulo de ativação não foi puxado completamente	Puxe o manípulo de ativação completamente.

11 Características Técnicas

11.1 Dimensões e peso



	Ocean VIP Ergo	Ocean VIP Ergo XL	Ocean Dual VIP Ergo
(A)		480 mm	
(B)		480 mm	
(C ₁)		475 mm – 600 mm	
(C ₂)		533 mm – 658 mm	
(D)	565 mm	645 mm	565 mm

	Ocean VIP Ergo	Ocean VIP Ergo XL	Ocean Dual VIP Ergo
Ⓔ	cerca de 1052 mm – 1340 mm (na posição neutra do assento)		
Ⓕ	cerca de 1052 mm – 1202 mm (na posição neutra do assento)		
Ⓖ	cerca de 1000 mm		
Ⓗ	cerca de 742 mm		
Ⓛ	160 mm		
Ⓝ	213 mm / 251 mm / 289 mm		
Ⓚ	319 mm – 469 mm (em incrementos de 25 mm)		
Ⓛ	455 mm	535 mm	455 mm
Ⓜ	350 mm (a partir de cima) / 300 mm (a partir de baixo)		
Ⓝ	250 mm (a partir de cima) / 182 mm (a partir de baixo)		
Ⓞ	400 mm – 525 mm		
Ⓟ	—	—	380 mm
Ⓠ	385 mm		
Ⓡ	295 mm		—
Ⓢ	230 mm		—
Ⓣ	Æ 5" (127 mm)		
Ⓤ	172 mm		
Ângulo de inclinação do assento	-5° – 40°		

	Ocean VIP Ergo	Ocean VIP Ergo XL	Ocean Dual VIP Ergo
Ângulo de inclinação do encosto	—	—	5° - 35°
Diâmetro de rotação	2200 mm		
Largura de reversão	1140 mm		1290 mm
Peso do produto	23,5 kg	23,5 kg	28,3 kg
Peso máx. do utilizador	150 kg		

11.2 Materiais

Chassis	Aço inoxidável, lacado
Placa de assento	Polipropileno, reforçado com fibra de vidro
Capa do encosto	Nylon, revestido com PVC
Apoios de pés	Polipropileno, reforçado com fibra de vidro
Almofada do apoio de braço	Polipropileno
Rodízios	Plástico e aço inoxidável

Todos os componentes do produto são resistentes à corrosão e não contêm látex de borracha natural.

11.3 Parâmetros ambientais

Condições de funcionamento	
Temperatura ambiente	10 - 65 °C

Humidade relativa	15% - 93%, sem condensação
Pressão atmosférica	795 - 1060 hPa
Condições de transporte e armazenamento	
Temperatura ambiente	0 - 65 °C
Humidade relativa	30% - 75%, sem condensação
Pressão atmosférica	795 - 1060 hPa

Inhoudsopgave

Deze handleiding dient te worden overhandigd aan de gebruiker van het product. Lees deze handleiding VÓÓR u het product gebruikt en bewaar hem voor eventuele raadplegingen in de toekomst.

1 Algemeen	.206
1.1 Inleiding	.206
1.2 Symbolen in deze handleiding	.206
1.3 Garantie-informatie	.207
1.4 Naleving	.207
1.4.1 Productspecifieke normen	.207
1.5 Bedoeld gebruik	.207
1.6 Levensduur	.207
2 Veiligheid	.209
2.1 Veiligheidsinformatie	.209
2.2 Typeplaatjes en symbolen op het product	.209
3 Componenten	.212
3.1 Overzicht	.212
4 Montage	.214
4.1 Veiligheidsinformatie	.214
4.2 De douche- en toiletstoel monteren	.214
4.2.1 De zithoogte aanpassen	.214
4.2.2 De rugleuning installeren	.215
4.2.3 De activatiehandgreep installeren	.216
4.2.4 De zitplaat installeren/verwijderen	.217
4.2.5 De hoogte van de armsteunen aanpassen	.217
4.2.6 De voetsteunen installeren	.218
4.2.7 De hoofdsteun installeren	.218
4.2.8 De antikantelsteunen aan de achterkant plaatsen	.219
4.2.9 De rem- en klembeschermers plaatsen/verwijderen	.220

5 Accessoires (optioneel)	.222
5.1 De ondersteekhouder en ondersteek monteren/verwijderen	.222
6 Gebruik	.224
6.1 Veiligheidsinformatie	.224
6.2 De armsteunen draaien	.225
6.3 De voetsteunen draaien	.226
6.4 Het zitframe met rugleuning kantelen	.226
6.5 De rugleuning kantelen (alleen bij Ocean Dual VIP Ergo)	.228
6.6 De remmen van de zwenkwielen in-/uitschakelen	.229
7 Transport	.230
7.1 Veiligheidsinformatie	.230
8 Onderhoud	.231
8.1 Onderhoud en inspectie	.231
8.2 Schoonmaken en desinfecteren	.231
9 Na gebruik	.233
9.1 Opslag	.233
9.2 Hergebruik	.233
9.3 Afvoeren	.233
10 Problemen oplossen	.234
10.1 Storingen identificeren en oplossen	.234
11 Technische Specificaties	.235
11.1 Afmetingen en gewicht	.235
11.2 Materialen	.237
11.3 Omgevingsparameters	.237

1 Algemeen

1.1 Inleiding

Deze gebruiksaanwijzing bevat belangrijke informatie over het gebruik van dit product. Lees de gebruiksaanwijzing aandachtig door en volg de veiligheidsinstructies op om zeker te zijn van een veilig gebruik van het product.

Gelieve te noteren dat er waarschijnlijk secties in deze handleiding vermeld zijn die misschien niet relevant zijn voor uw product, maar deze handleiding verwijst naar alle modellen (op de dag van uitgifte). Elke sectie van deze handleiding verwijst naar alle modellen van dit product, tenzij anders vermeld.

De modellen en uitvoeringen die in uw land beschikbaar zijn, zijn te vinden op de prijslijst van het desbetreffende land.

Invacare behoudt zich het recht om productspecificaties te wijzigen zonder voorafgaand bericht.

Controleer voordat u deze gebruiksaanwijzing leest of u de juiste versie hebt. U vindt een pdf-bestand met de laatste versie op de Invacare-website.

Mocht u problemen ondervinden met de lettergrootte van deze handleiding, kunt u de PDF versie downloaden via onze website. U kunt deze dan uitvergroten op uw scherm tot de gewenste lettergrootte.

Voor meer informatie over dit product, contacteer uw Invacare vertegenwoordiger. Een overzicht kunt u terugvinden op de laatste bladzijde van deze handleiding.

1.2 Symbolen in deze handleiding

In deze handleiding worden waarschuwingen aangeduid met symbolen. De waarschuwingssymbolen worden vergezeld van een kop die de ernst van het gevaar aangeeft.



WAARSCHUWING

Duidt op een gevaarlijke situatie die kan leiden tot ernstig letsel of overlijden als de situatie niet wordt vermeden.



LET OP

Duidt op een gevaarlijke situatie die kan leiden tot licht of beperkt letsel als de situatie niet wordt vermeden.



BELANGRIJK

Duidt op een gevaarlijke situatie die kan leiden tot materiële schade als de situatie niet wordt vermeden.



Tips en adviezen

Hier worden nuttige tips, adviezen en informatie voor efficiënt, probleemloos gebruik gegeven.



Dit product voldoet aan richtlijn 93/42/EEG betreffende medische hulpmiddelen. De introductiedatum van dit product staat vermeld in de CE-conformiteitsverklaring.



Fabrikant van het product.

1.3 Garantie-informatie

Wij bieden voor dit product een fabrieksgarantie in overeenstemming met onze Algemene Voorwaarden in de respectievelijke landen.

Garantieclaims kunnen alleen worden ingediend via de dealer bij wie u het product hebt gekocht.

1.4 Naleving

Kwaliteit is cruciaal bij onze bedrijfsactiviteiten, waarbij wordt gewerkt binnen de normen van ISO 13485.

Dit product is voorzien van het CE-merk, conform Richtlijn 93/42/EEG betreffende medische hulpmiddelen, klasse 1.

Wij werken er continu aan om ervoor te zorgen dat het effect van het bedrijf op het milieu, zowel lokaal als internationaal, zo veel mogelijk wordt beperkt.

Wij maken uitsluitend gebruik van materialen en onderdelen die voldoen aan de REACH-richtlijnen.

1.4.1 Productspecifieke normen

Het product is getest en voldoet aan de norm ISO 17966 (Helpende producten voor persoonlijke hygiëne ter ondersteuning van gebruikers) en alle bijbehorende normen. Deze norm omvat tests op ontvlambaarheid. Progressief brandende ontsteking en vlammeende ontsteking treden niet op.

Neem voor meer informatie over de lokale normen en voorschriften contact op met uw lokale Invacare-vertegenwoordiger. Zie de adressen aan het einde van dit document.

1639504-C

1.5 Bedoeld gebruik

De douche- en toiletstoel is alleen bedoeld ter ondersteuning bij het douchen of baden, gebruik van het toilet, voor gebruik tijdens persoonlijke hygiëne (bijv. voor de wasbak) of voor het verplaatsen van patiënten binnenshuis. De stoel is bedoeld voor gebruik door jeugd of volwassen patiënten, met of zonder hulp van een verzorger, die:

- moeite hebben met staan of evenwicht houden;
- last hebben van zwakke benen of een handicap aan de benen;
- last hebben van medische aandoeningen die hun evenwicht negatief beïnvloeden.

Het product is alleen bedoeld voor gebruik in zorginstellingen en thuis. Elk ander gebruik is verboden.



WAARSCHUWING!

Kans op lichamelijk letsel

- Gebruik het product nooit als hulpmiddel om in of uit een bad te stappen, voor klimmen of omlaag stappen als ondersteuning of voor enig ander vergelijkbaar doel.
- Het product mag niet buiten worden gebruikt.

U kunt het product als toiletstoel gebruiken boven een standaardtoilet of los met een ondersteek (optioneel).

Gebruikstemperatuur: 10-65 °C

1.6 Levensduur

De verwachte levensduur van dit product is vijf jaar bij dagelijks gebruik en in overeenstemming met de

veiligheidsinstructies, onderhoudstermijnen en bij correct gebruik, zoals aangegeven in deze handleiding. De effectieve levensduur kan variëren afhankelijk van de frequentie en intensiteit van het gebruik.

2 Veiligheid

2.1 Veiligheidsinformatie



WAARSCHUWING!

Risico op schade of lichamelijk letsel

- Gebruik dit product of de beschikbare optionele apparatuur alleen als u deze instructies en het eventuele aanvullende instructiemateriaal volledig hebt doorgelezen en begrepen, met inbegrip van de gebruikershandleidingen, servicehandleidingen of instructiebladen die bij dit product of de optionele apparatuur worden verstrekt.
- Als u de waarschuwingen, aandachtspunten of instructies niet begrijpt, neem dan contact op met een zorgverlener, een Invacare-leverancier of een technisch medewerker voordat u deze apparatuur gaat gebruiken.



WAARSCHUWING!

Kans op lichamelijk letsel

- Ga niet op dit product staan.
- Niet als klimhulpmiddel gebruiken.
- Dit product niet buiten gebruiken.



WAARSCHUWING!

Kans op lichamelijk letsel

- Niet gebruiken indien defect.
- Neem direct contact op met uw leverancier in geval van een defect.
- Voer geen ongeautoriseerde wijzigingen of aanpassingen uit op het product.
- Gebruik alleen de accessoires die bedoeld zijn voor dit product.



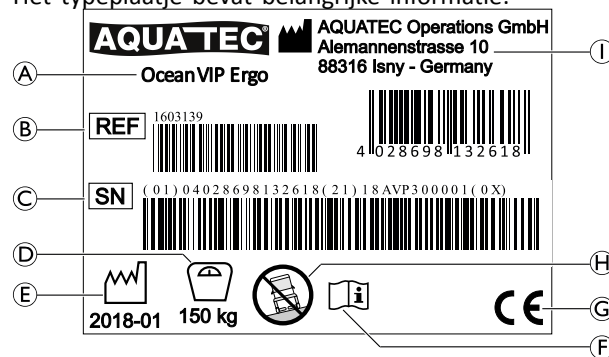
BELANGRIJK!

De informatie in dit document kan zonder voorafgaande kennisgeving worden gewijzigd.

2.2 Typeplaatjes en symbolen op het product

Typeplaatje

Het typeplaatje bevat belangrijke informatie:



Ⓐ	Productaanduiding
Ⓑ	Referentienummer
Ⓒ	Serienummer
Ⓓ	Maximaal gebruikersgewicht
Ⓔ	Fabricagedatum
Ⓕ	Lees de gebruikershandleiding
Ⓖ	Conformiteitsmarkering
Ⓗ	Opmerking (alleen te gebruiken op vlakke ondergrond)
Ⓘ	Adres van de fabrikant



Het typeplaatje is aan de binnenkant van de linkerzijde bevestigd.

Labels op het product

Het volgende label is aangebracht op de achterkant van de hoofdsteun:	
Label	Omschrijving
	<p>VOORZICHTIG!</p> <p>Kans om geraakt te worden</p> <p>De rugleuning/hoofdsteun kan tegen uw lichaam botsen wanneer u aan de activatiehandgreep trekt.</p> <p>– Zorg ervoor dat er genoeg ruimte is tussen uzelf en de rugleuning/hoofdsteun wanneer u het zitframe met rugleuning kantelt.</p>

Het volgende label is aangebracht op de handgreep van de rugleuning:

Label	Omschrijving
	<p>WAARSCHUWING!</p> <p>Risico op kantelen</p> <ul style="list-style-type: none"> – Ga niet op de voetsteun staan om in of uit de douche- en toiletstoel te komen. – Duw de voetsteunen naar de zijkant of klap de voetplaten in voordat u in of uit de douche- en toiletstoel stapt. – Draai de zwenkwielen zo dat de vergrendeling naar voren is gericht voordat iemand plaatsneemt in de rolstoel of iemand opstaat. – Leun niet te ver naar voren wanneer u in de douche- en toiletstoel zit.

De volgende labels zijn aangebracht op de achterzijde van de activatiehandgreep:

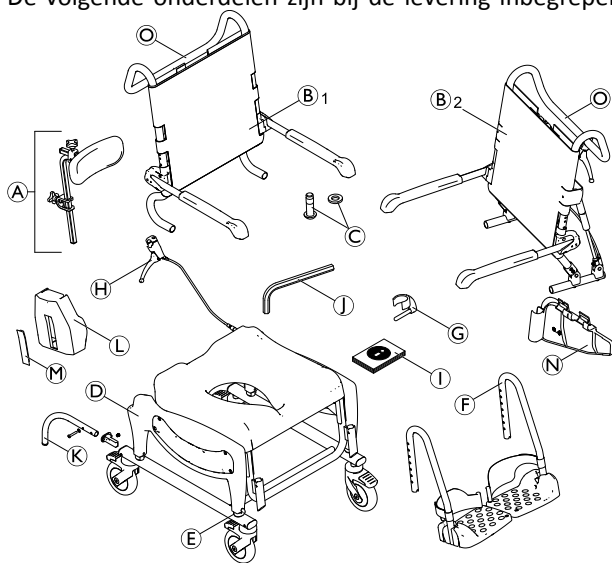
Label	Omschrijving
-------	--------------

	<p>Activatiehandgreep voor het kantelen van de zitting.</p>
	<p>De activatiehandgreep dient alleen voor het kantelen van de rugleuning.</p>

3 Componenten

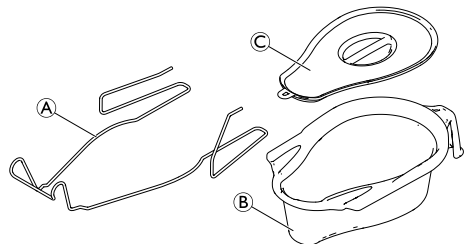
3.1 Overzicht

De volgende onderdelen zijn bij de levering inbegrepen:



(A)	Hoofdsteun
(B ₁)	Ocean VIP Ergo: Rugleuning met bekleding en armsteunen
(B ₂)	Ocean Dual VIP Ergo: Rugleuning met bekleding, armsteunen en handgreep voor kantelen van rugleuning

(C)	Schroeven (4x) en sluitringen (4x) voor vastzetten van rugleuning
(D)	Zitframe met zitplaat en zijkanten met frame en zwenkwielen
(E)	Klemmen (4x) voor hoogteaanpassing
(F)	Voetsteunen met hielbanden (2x)
(G)	Klemmen (2x) voor voetsteunen
(H)	Activatiehandgreep voor kantelen van zitting
(I)	Gebruikershandleiding
(J)	Inbussleutel
(K)	Antikantelsteun achter met schroef, sluitring en bevestigingsstuk (2x) (alleen bij Ocean Dual VIP Ergo)
(L)	Rembescherming (2x)
(M)	Remhendelbescherming (2x)
(N)	Klembescherming (2x)
(O)	Duwstang

Accessoire: ondersteekhouder met ondersteek

(A)	Ondersteekhouder
(B)	Ondersteek
(C)	Deksel

4 Montage

4.1 Veiligheidsinformatie



WAARSCHUWING!

- Controleer de onderdelen op transportschade voordat u het product in gebruik neemt en neem indien nodig contact op met uw leverancier.
- Houd er bij de montage rekening mee dat alle onderdelen juist geplaatst dienen te worden zodat er geen beschadigingen optreden.
- Zelfborgende schroeven/moeren of kleefstof voor schroefdraadborging worden gebruikt voor verschillende verbindingen. Als deze worden losgemaakt, moeten ze worden vervangen door nieuwe zelfborgende schroeven/moeren, of worden vastgezet met behulp van een nieuwe kleefstof voor schroefdraadborging.

4.2 De douche- en toiletstoel monteren

In dit gedeelte wordt de montage beschreven. Demontage wordt in omgekeerde volgorde uitgevoerd.



De hoogte van de arm- en voetsteun, de hoek van de voetsteun, de hoofdsteun, de hielband, de spanning van de rugbekleding en accessoires moeten optimaal op de gebruiker zijn afgestemd.

4.2.1 De zithoogte aanpassen

In dit gedeelte wordt de montage beschreven. Demontage wordt in omgekeerde volgorde uitgevoerd.

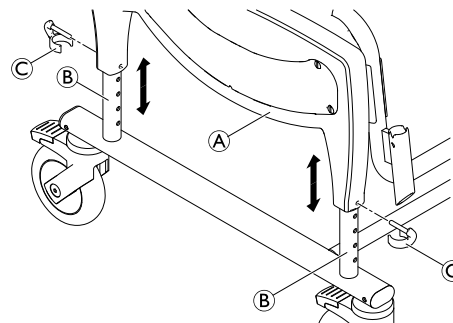


WAARSCHUWING!

- Pas de zithoogte van de toiletrolstoel niet aan wanneer er iemand op zit.



De zithoogte moet aan beide kanten tegelijk worden aangepast.



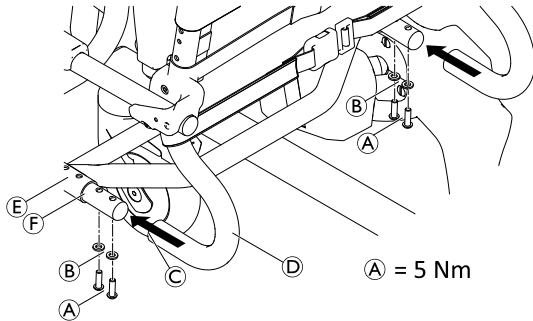
1. Til de toiletrolstoel aan de zijkant ① iets omhoog.
2. Verwijder de vier klemmen ③ (twee aan elke kant).
3. Stel de juiste hoogte in door het zitframe tegelijkertijd omhoog of omlaag te bewegen over de vier buizen ② van het frame.
4. Zet de klemstukken op de zijkant op een lijn met een gat in het frame.
5. Breng de vier klemmen vanaf de buitenkant in de zijkant in tot beide randen van de klem de framebuis van het frame ② omsluiten.

**WAARSCHUWING!****Kans op lichamelijk letsel**

- Controleer of alle vier de klemmen zijn vastgezet.
- Controleer of alle vier de buizen op dezelfde hoogte zijn afgesteld.



De zithoogte kan worden versteld in verschillende gebruikssituaties, bijv. verplaatsing van een bed naar een rolstoel of gebruik boven een toilet, enz.

4.2.2 De rugleuning installeren

1. Druk alle vier de voetpedalen omlaag zodat de zwenkwieken worden vergrendeld.
2. Duw de rugleuning **D** vanaf de achterkant op het zitframe **E** tot de boord **C** de zitframebuis **F** raakt.

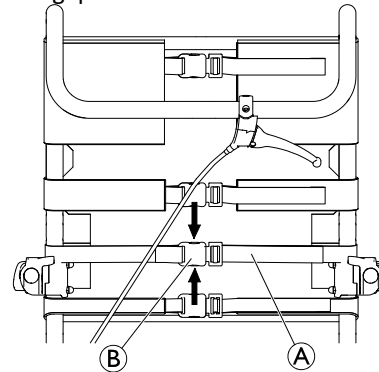
**BELANGRIJK!**

- Draai de schroeven stevig aan met de meegeleverde inbussleutel.
- Controleer regelmatig of de schroeven goed vastzitten.

3. Plaats een sluitring **B** op elke schroef **A** en zet de rugleuning aan elke zijde stevig vast.
4. Draai de schroeven aan met een moment van 5 Nm.

De rugbekleding aanpassen

De spanning van de rugleuning kan waar nodig worden aangepast.

**WAARSCHUWING!**

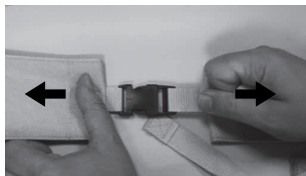
- Zorg dat er altijd minimaal drie riemen zijn gelegd rond het rugleuningframe (aan de buitenkant) en dat de riemgespen vastzitten.

Aanspannen:

1. Span de riemen ① van de rugbekleding aan.

Losmaken:

1. Open de riemgespen ② door de lippen naar elkaar toe te drukken (pijlen).
2. Duw de riemen een stuk terug door de gesp.
3. Zet de riemgespen vast.
4. Span de riemen opnieuw een beetje aan.

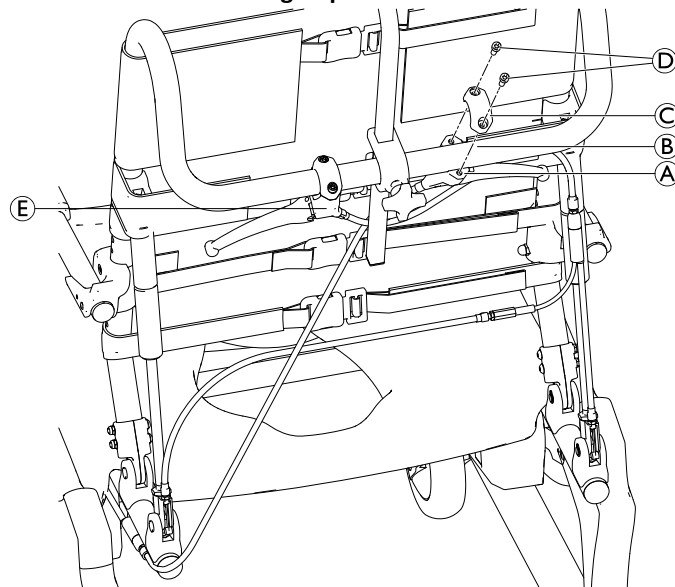


WAARSCHUWING!

Risico op letsel door beschadigde rugleuning Gordels!

- Controleer of de rugleuning Gordels stevig vastzitten na elk onderhoud of elke reparatie.
- Controleer of alle gordelclips stevig vastzitten door de gordels te sluiten en aan beide uiteinden te trekken.
 - Vervang de rugleuning/rugleuning Gordels als een gordel tijdens het trekken opent.

4.2.3 De activatiehandgreep installeren




1. Verwijder het klemgedeelte ③ van de activatiehandgreep ① door de schroeven ④ los te draaien.
2. Plaats de activatiehandgreep ① voor het kantelen van de zitting vanaf de onderkant op de rechterkant van de handgreepbuis ②.



De handgreep moet iets naar binnen zijn gericht ten opzichte van de rugleuning.

3. Plaats de activatiehandgreep op de handgreepbuis via het klemgedeelte ③ en de schroeven ④.

 Bij de Ocean Dual VIP Ergo is de activatiehandgreep **Ⓔ** voor het kantelen van de rugleuning al op de linkerkant van de handgreepbuis geïnstalleerd. De positie van de activatiehandgreep kan eventueel worden gewijzigd.

4.2.4 De zitplaat installeren/verwijderen

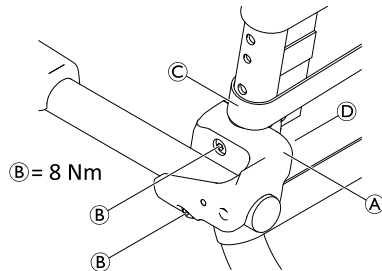
Installatie:

1. Plaats de zitplaat op het zitframe met de uitsparing naar de voorkant gericht.
2. Druk met de vlakke hand de zijken van de zitplaat naar beneden en duw vervolgens tegen de voor- en achterzijde tot de zitplaat in het zitframe valt.


Verwijderen:

1. Trek de zitplaat aan de achterkant naar boven.


4.2.5 De hoogte van de armsteunen aanpassen




1. Open de op een na laagste riem **Ⓒ** op de rugbekleding en zet de andere riemen losser.

 De bouten worden los in de borgklem geplaatst en kunnen loskomen.

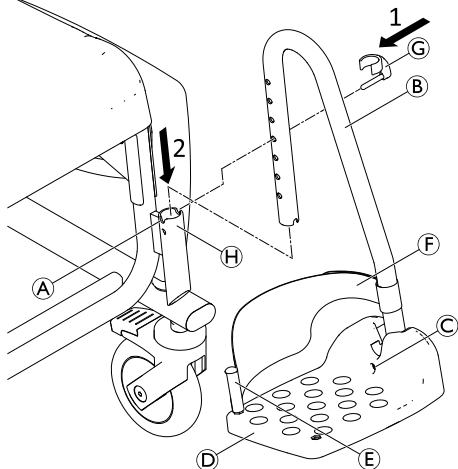
2. Draai de schroeven **Ⓑ** van de armsteunbeugel **Ⓐ** los met de meegeleverde inbusleutel.
3. Verwijder de borgklem **Ⓒ** met de bouten vanaf de binnenkant van het rugleuningframe.
4. Verwijder de rugleuningbeugel **Ⓐ** samen met de armsteun en beweeg deze naar boven.

 Het kleinere gat dient ter bevestiging van de borgklem.


5. Plaats de schroeven in de armsteunbeugel en duw deze door de gaten in het rugleuningframe.
6. Indien nodig plaatst u de bouten opnieuw in de borgklem.
7. Zet de borgklem op het rugleuningframe en plaats de bevestigingspin in het kleinere gat.
8. Draai de schroeven in de moeren en draai ze aan.
9. Leg, afhankelijk van de hoogte van de armsteun, de op een na laagste riem langs de buitenkant van het rugleuningframe of langs de binnenkant, sluit alle riemen en trek ze aan.
10. De procedure van de hoogteaanspassing is gelijk voor zowel de rechter- als de linkerarmsteun.

 Voor het bevestigen van accessoires opent u de op een na laagste riem en schuift u de rugbekleding er via de binnenkant van het rugleuningframe door.


4.2.6 De voetsteunen installeren



1. Plaats de pin van de klem ③ vanaf de buitenkant in het vereiste gat op de voetsteun ②. Zorg ervoor dat de klem rond de buis is vastgeklit.
2. Druk de voetsteun in de geleider ④ aan de voorkant van de zijkant totdat de pin van de klem ③ in de groef ① zit. De voetsteun kan niet meer opzij worden gedraaid.

 De montageprocedure is gelijk voor zowel de rechters als de linkervoetsteun.

De hoogte van de voetsteunen aanpassen

 De voetsteunen kunnen indien nodig worden ingekort (raadpleeg de servicehandleiding). Het inkorten van de voetsteunen moet worden uitgevoerd door een gekwalificeerde technicus.

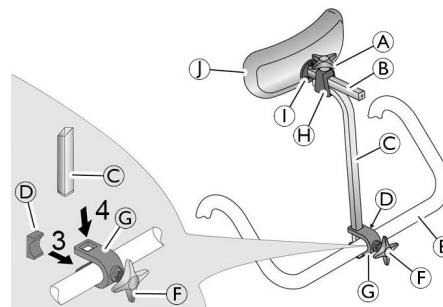
1. Trek de voetsteun ② iets omhoog.
2. Trek de klem ③ uit het gat in de voetsteun en plaats hem opnieuw in het vereiste gat. Trek de voetsteun indien nodig een klein stukje verder uit.
3. Druk de voetsteun omlaag tot de groef ① in de pin van de klem valt.
4. Stel de andere voetsteun op de vereiste hoogte in.

De helling van de voetplaten instellen


 De helling van de voetplaten kan met oneindig veel variaties worden ingesteld.

1. Draai de inbusschroef ③ op de voetplaat losser met een inbussleutel van maat 4.
2. Draai de voetplaat ④ naar de vereiste positie.
3. Draai de inbusschroef weer vast.

4.2.7 De hoofdsteun installeren




1. Gebruik de sterkopschroevendraaier ⑥ om de schroef een beetje in de beugel ③ te draaien.
2. Duw de beugel met de schroef vanaf de achterkant op de handgreep van de rugleuning ⑤, zodat de schroef in het gat op de handgreep van de rugleuning vast komt te zitten.
3. Bevestig de plaat ④ vanaf de voorkant op de beugel, zodat beide lippen van de plaat naar boven en beneden zijn gericht en de afgeronde zijde van de plaat de handgreep van de rugleuning raakt.
4. Duw de hoogteaanpassingsbuis ③ vanaf de bovenkant in de inkepingen op de beugel.
5. Gebruik de sterkopschroevendraaier om de bovenste schroef vast te draaien tot de hoogteaanpassingsbuis in de juiste positie is vastgezet.
6. Duw het kussen ① en de kussenhouder ② in de houder ④ op de hoogteaanpassingsbuis.
7. Gebruik de sterkopschroevendraaier ⑥ om de bovenste schroef vast te draaien tot de kussenhouder in de juiste positie is vastgezet.

 Om deze aan de gebruiker aan te passen, kunt u de hoogteaanpassingsbuis afstellen met de afgeronde zijde naar de voor- of achterkant gericht.

Het hoofdsteunkussen ① kan worden verwijderd en vervangen door andere kussenvormen (optioneel). Als u dit wilt verwijderen, maakt u de borgbouten ① los.

De lengte van de hoofdsteun aanpassen

 De hoofdsteunbuizen ③ en ② kunnen indien nodig worden ingekort (raadpleeg de servicehandleiding). Het inkorten van de hoofdsteunbuizen moet worden uitgevoerd door een gekwalificeerde technicus.

4.2.8 De antikantelsteunen aan de achterkant plaatsen



WAARSCHUWING!

Risico op kantelen

Tijdens het kantelen van de rugleuning op de Ocean Dual VIP Ergo kan er ernstig lichamelijk letsel worden toegebracht. De hele stoel kan achterover kantelen.

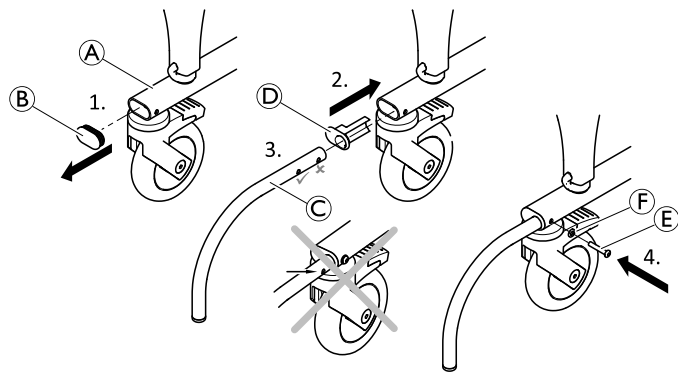
– Voordat u de Ocean Dual VIP Ergo gaat gebruiken moet u zorgen dat beide antikantelsteunen aan de achterkant zijn geplaatst.



WAARSCHUWING!

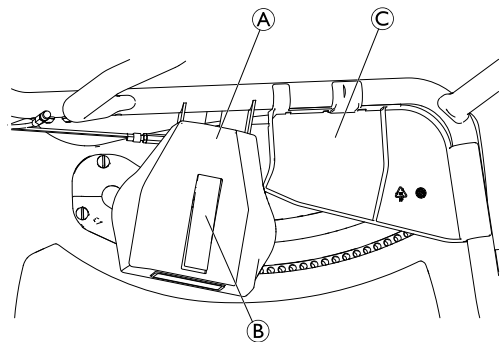
Kans op lichamelijk letsel

– Ga nooit op de antikantelsteunen staan.



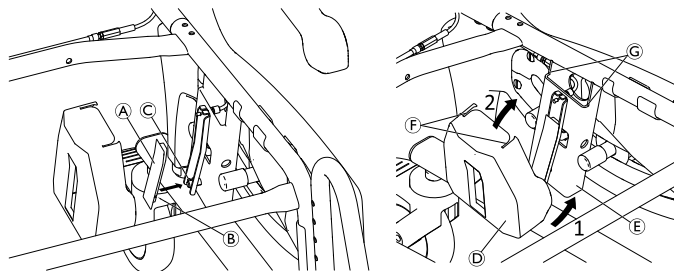
1. Verwijder de afdekkap **B** van het frame **A**.
2. Bevestig het bevestigingsstuk **D** aan het frame.
3. Plaats de antikantelbuis **C**.
4. Zet de antikantelsteun via de tweede opening vast met schroef **E** en sluitring **F**.
5. Plaats de tweede antikantelsteun aan de andere kant.

4.2.9 De rem- en klembeschermers plaatsen/verwijderen



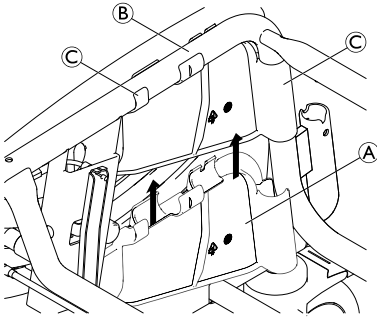
A	Rembescherming
B	Remhendelbescherming
C	Klembescherming

Rembescherming



1. Bevestig de remhendelbescherming **A** door de sleuf **B** omhoog te schuiven op de kleine schacht **C**.
2. Plaats het onderste gedeelte van de rembescherming **D** van onderaf in een hoek over de rembehuizing **E**.
3. Klap het bovenste gedeelte van de rembescherming zo op rembehuizing dat de inkepingen **F** netjes aansluiten op de randen **G**.
4. Plaats de tweede rembescherming aan de andere kant.

Klembescherming



1. Klik de klembescherming **A** vast op de framebuizen **B**. Zorg ervoor dat alle klemmen **C** helemaal zijn vastgemaakt.
2. Plaats de tweede klembescherming aan de andere kant.

5 Accessoires (optioneel)

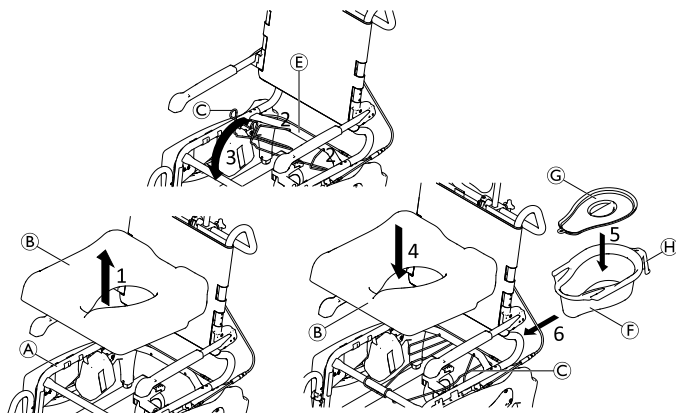



WAARSCHUWING!

Kans op lichamelijk letsel

– De montage van accessoires (optioneel) moet volgens de bijbehorende instructies worden uitgevoerd.

5.1 De ondersteekhouder en ondersteek monteren/verwijderen



 De ondersteek **F** kan met of zonder deksel **G** worden geplaatst/verwijderd.

1. Verwijder de zitting **B** uit het frame **A**.
2. Plaats de uiteinden van de ondersteekhouder **C** in de gaten van de achterste kruisstang **E**.

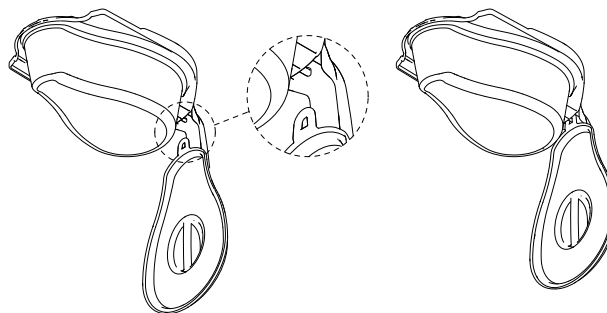
3. Klik het voorste deel van de ondersteekhouder vast aan de voorste kruisstang **D**.
4. Plaats de zitting weer in het frame.
5. Zet het deksel op de ondersteek of verwijder het deksel.
6. Houd de ondersteek bij de handgreep **H** vast en plaats deze via de achterkant tussen de ondersteekhouder en de zitting.



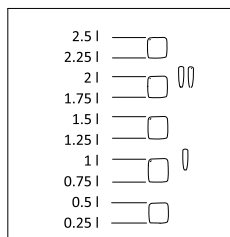
Duw de ondersteek iets naar beneden bij het plaatsen of verwijderen.



Het deksel kan aan de plastic haak worden gehangen aan de onderkant van de handgreep van de ondersteek.



Er zit een vulniveau-aanduiding aan de binnenkant van de ondersteek.



6 Gebruik

6.1 Veiligheidsinformatie



WAARSCHUWING!

- Gebruik de douche- en toiletstoel alleen op een vlakke ondergrond en binnenshuis.
- Kijk naar de specificaties op het typeplaatje. Zorg ervoor dat u de douche- en toiletstoel niet overbelast.
- Neem de veiligheidlabels in acht die op de achterzijde van de hoofdsteun en op de rugleuninghandgreep zijn aangebracht: *2.2 Typeplaatjes en symbolen op het product, pagina 209*
- Plaats geen al te zware voorwerpen op de douche- en toiletstoel.
- Voer altijd en voor elk gebruik een visuele inspectie uit van het product op externe beschadigingen.



WAARSCHUWING!

Risico op uitglijden en weggrollen

- Zorg er vóór gebruik voor dat de zitting stevig is bevestigd aan het zitframe
- Vergrendel alle zwenkwielen met hendels met de voetsluitingen voordat iemand plaatsneemt of opstaat, of als de douche- en toiletstoel staat geparkeerd.



WAARSCHUWING!

Risico op kantelen

- Draai de voetsteunen naar de zijkant of klap de voetplaten omhoog voordat iemand plaatsneemt in of opstaat uit de rolstoel.
- Draai de voorste zwenkwielen zodat de vergrendeling naar voren is gericht voordat iemand plaatsneemt in of opstaat uit de rolstoel.
- Ga nooit op de voetsteunen staan.
- Leun niet te ver voorover.
- Duw de toiletrolstoel wanneer de gebruiker er op zit alleen voort wanneer het zitframe en de rugleuning in verticale positie zijn afgesteld.
- Laat de gebruiker alleen in en uit de toiletrolstoel stappen wanneer het zitframe en de rugleuning in verticale positie zijn afgesteld.
- Verwijder in geen geval de pneumatische veren (alleen bij Ocean Dual VIP Ergo).



WAARSCHUWING!

Kans op lichamelijk letsel!

- Voor het gebruik van de (optionele) Variable Soft-zitting moeten eerst de zijkantbeschermingen (onderdeelnr. AP1605002) worden geïnstalleerd.



WAARSCHUWING!

Risico op achterover kantelen!

- De Ocean Dual VIP Ergo mag alleen worden gebruikt wanneer de antikantelsteunen aan de achterkant zijn geplaatst.

**WAARSCHUWING!****Risico op kantelen**

- Duw de douche- en toiletstoel alleen voort via de duwstang.

**LET OP!****Risico op verbranding van de huid**

- De onderdelen van het product kunnen heet worden bij blootstelling aan een externe verwarmingsbron.
- Houd rekening met verwarmde oppervlakken bij het gebruik van de douche- en toiletstoel in de sauna of wanneer deze is blootgesteld aan heet water.
 - Stel het product vóór gebruik niet bloot aan direct zonlicht.

**LET OP!****Risico op klem zitten door het kantelmechanisme**

- Als u het zitframe kantelt, moet u ervoor zorgen dat de armen van de gebruiker op de armsteunen rusten.
- Zorg ervoor dat de klembescherming op het frame is geplaatst (zie hoofdstuk 4.2.9 *De remmen klembeschermers plaatsen/verwijderen*, pagina 220).

**BELANGRIJK!****Risico op breken van de hoofdsteun**

- Draai of duw de douche- en toiletstoel alleen met de handgreep aan de rugleuning, en nooit via de hoofdsteun.

**BELANGRIJK!****Risico op beschadiging van het product**

- Til de douche- en toiletstoel niet op aan de voetsteunen, armsteunen of accessoires.



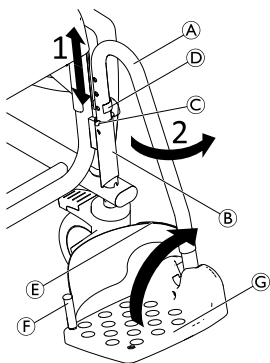
Voor gebruikers die sneller de neiging hebben om op de voetsteunen te gaan staan (bijvoorbeeld als gevolg van dementie), zijn er antikantelsteunen voor de voorkant (onderdeelnr. AP1603992) als optie verkrijgbaar. Deze verhinderen dat de douche- en toiletstoel naar voren kan kantelen.

6.2 De armsteunen draaien

**LET OP!****Vingers kunnen in het inklapmechanisme bekneld raken**

- Plaats geen vingers in de gelede koppeling wanneer de armsteunen naar boven of onderen worden geklapt.
- Plaats geen vingers tussen de armsteun en de rugleuning wanneer de armsteunen naar achteren worden ingeklapt.
- Zorg ervoor dat er geen onderdelen in de verbindingen blijven hangen.

6.3 De voetsteunen draaien



Instappositie/uitstappositie:

1. Trek de voetsteun (A) in de geleider (B) iets omhoog totdat de pin van de klem (D) niet meer vastzit in de groef (C).
2. Zwenk de voetsteun naar de zijkant.

Rijpositie:



LET OP!

Risico op ongeluk als gevolg van losse voetsteun
– Bevestig de voetsteunen in de rijpositie.

1. Draai de voetsteun (A) naar binnen.
2. Druk de voetsteun omlaag tot de pin van klem (D) in groef (C) vastklikt.



De voetplaten (G) kunnen ook omhoog gezwenkt worden om in of uit de douche- en toiletstoel te komen.

De hielband verwijderen/bevestigen

1. Open de haak-en-lusband (E) op de hielband.
2. Verwijder de schroef (F) uit de onderkant van de voetplaat.
3. Verwijder de hielband uit de flexibele plastic pin.



Om de band te bevestigen, voert u dezelfde procedure uit in omgekeerde volgorde.



Zorg er bij de installatie van een voetsteun altijd voor dat de haak-en-lusband van de hielband naar achteren is gericht.

6.4 Het zitframe met rugleuning kantelen



BELANGRIJK!

– Steek tijdens het kantelen nooit een hand in de ruimte tussen het zitframe met rugleuning en het buizenframe aan de voorzijde tussen de zijkantelen.

Naar voren/achteren kantelen

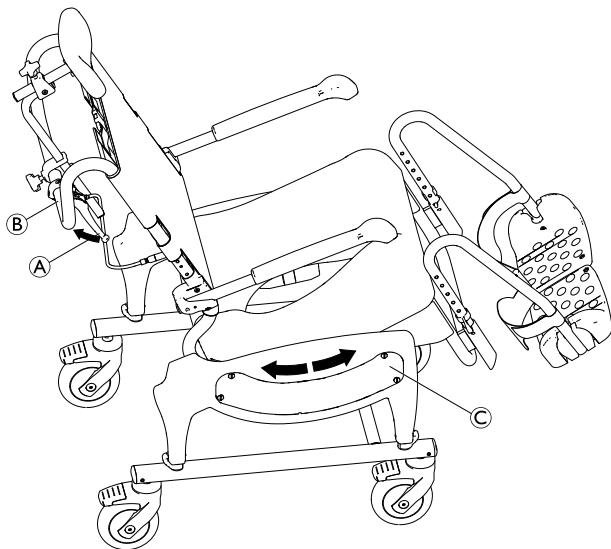


Het zitframe kan samen met de rugleuning ongeveer 40° naar achteren worden gekanteld.



Als u de (optionele) armsteunvergrendelingen gebruikt terwijl de armsteunen in de laagst mogelijke stand zijn afgesteld, kan de zitting niet helemaal achterover worden gekanteld. De maximale kantelhoek is dan 35°.

i In de twee laagste zithoogtes is het niet mogelijk om de voetsteun over het gehele bereik af te stellen. Controleer voor gebruik of de voetsteunen niet de vloer raken tijdens het naar voren kantelen van de zitting. Pas zo nodig de zithoogte of voetsteunhoogte aan.



LET OP!

Kans op beknelling

Uw vingers kunnen klem komen te zitten in het kantelmechanisme.

– Controleer voor gebruik steeds of de beschermkappen ©, die de zijkanten van het kantelmechanisme beschermen, op de juiste manier zijn geplaatst.

1. Druk alle vier de voetpedalen naar beneden zodat de zwenkwieken worden vergrendeld.
2. Houd de douchestoel vast bij de duwstang ②.
3. Trek de activatiehandgreep ① naar buiten en houd hem daar vast.
4. Stel de gewenste kantelhoek in door de handgreep ② omlaag te duwen of omhoog te trekken.
5. Zet het kantelmechanisme vast door de activatiehandgreep los te laten, zodat de pinnen vastklikken in de gaten op de gewenste positie. Het zitframe wordt afgesteld in de kantelhoek die op dat moment is ingesteld.

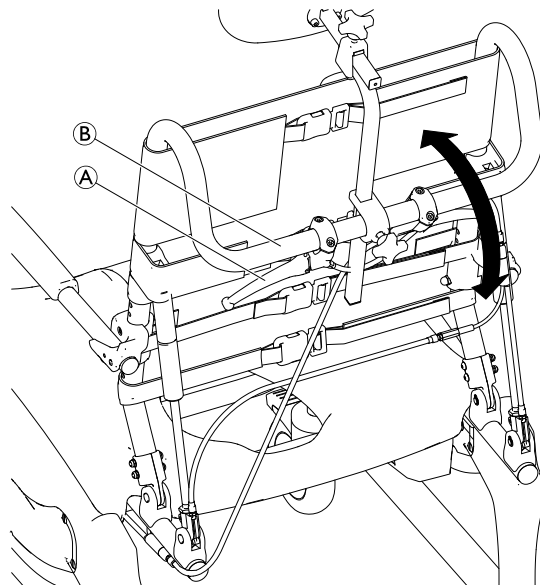
6.5 De rugleuning kantelen (alleen bij Ocean Dual VIP Ergo)



LET OP!

Pas op dat uw vingers niet bekneld raken tussen de armsteunbeugel en de zijkant.

- Steek nooit een hand in de ruimte tussen de armsteunbeugel en de zijkant wanneer u het zitframe achterover kantelt of de rugleuning neerklappt.
- Wanneer u het zitframe of de rugleuning kantelt, moet u ervoor zorgen dat de armen van de gebruiker op de armsteunen rusten of voor het lichaam zijn gevouwen.




1. Druk alle vier de voetpedalen naar beneden zodat de zwenkwielen worden vergrendeld.
2. Houd de douchestoel vast bij de duwstang ②.
3. Trek de activatiehandgreep ① naar buiten en houd hem daar vast.



De activatiehandgreep is voorzien van een vergrendelingsmechanisme. De handgreep treedt alleen in werking door aan het vergrendelingsmechanisme trekken.

4. Kantel de rugleuning in de gewenste positie.
5. Laat de activatiehandgreep los om de rugleuning in die stand vast te zetten.

 Er is meer kracht nodig om de rugleuning achterover te kantelen wanneer er niemand op de stoel zit. Omhoog kantelen zonder dat er iemand op de stoel zit, gaat automatisch wanneer u aan de activatiehandgreep trekt.



Het zwenkwiel met de blauwe hendel (optie) wordt gebruikt om de richtingsvergrendeling vast te zetten om makkelijker rechtdoor te rijden.

6.6 De remmen van de zwenkwielen in-/uitschakelen

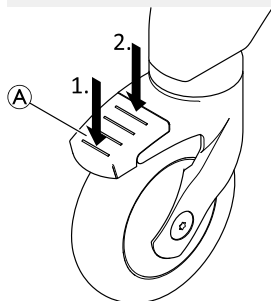



LET OP!

Beknellingsgevaar

Alle remmen van de zwenkwielen worden met de voet bediend.

- Rem de zwenkwielen niet met de hand.



1. Om het zwenkwiel te vergrendelen, stapt u op het achterste deel van het pedaal  totdat die vastklikt.
2. Om het zwenkwiel te ontgrendelen, stapt u op het voorste deel van het pedaal totdat die loskomt.

7 Transport

7.1 Veiligheidsinformatie



Het product kan voor transport worden gedemonteerd in de onderdelen die zijn inbegrepen in de levering. Zie hoofdstuk 3 *Componenten, pagina 212*

1. Demonteer het product: Raadpleeg hoofdstuk 4 *Montage, pagina 214* door de stappen voor montage in omgekeerde volgorde te volgen.



BELANGRIJK!

- **Risico op beschadiging van het product**
 - Vervoer het product in een droge omgeving.
 - Stel dit product niet bloot aan direct zonlicht.
 - Raadpleeg de voorschriften voor opslag en transport in hoofdstuk 11.3 *Omgevingsparameters, pagina 237*.



BELANGRIJK!

- - Zelfborgende schroeven/moeren of kleefstof voor schroefdraadborging worden gebruikt voor verschillende verbindingen. Als deze worden losgemaakt, moeten ze worden vervangen door nieuwe zelfborgende schroeven/moeren, of worden vastgezet met behulp van een nieuwe kleefstof voor schroefdraadborging.

8 Onderhoud

8.1 Onderhoud en inspectie

Als de onderstaande instructies voor schoonmaak en veiligheid in acht worden genomen, heeft het product geen onderhoud nodig.

Voor een goede en veilige werking moeten de volgende controles regelmatig worden uitgevoerd:

- Controleer het product en de accessoires regelmatig op schade. Het product niet gebruiken als het defect is.
- Controleer de kantelfunctie van het zitframe en de rugleuning (Ocean Dual VIP Ergo). U bent verplicht om de Easy-kantelfunctie en positievergrendeling te gebruiken.
- Bij schade of storingen is het raadzaam om contact op te nemen met de leverancier.
- Controleer of het product stevig is gemonteerd, inclusief alle beschermingsonderdelen, en of alle schroeven goed zijn vastgedraaid.



WAARSCHUWING!

Risico op letsel en beschadiging

Als het product onjuist is afgesteld, kan dit ongelukken en ernstig letsel veroorzaken.

- Het product moet worden gerepareerd door een gekwalificeerde technicus.
- Beschadigde onderdelen moeten door een gekwalificeerde technicus worden vervangen.
- Gebruik alleen originele Invacare-reserveonderdelen.

8.2 Schoonmaken en desinfecteren

Het product kan worden schoongemaakt en gedesinfecteerd met behulp van commercieel verkrijgbare middelen.



BELANGRIJK!

Hygiëne is erg belangrijk, vooral op gevoelige plaatsen zoals de badkamer en de wc.

- Houd het product te allen tijde schoon en neem het regelmatig af.
- Desinfecteer het product regelmatig.

1. Desinfecteer het product door alle algemeen toegankelijke oppervlakken af te nemen met een desinfecteermiddel (indien mogelijk na demontage van het product).



BELANGRIJK!


Alle gebruikte reinigings- en desinfecteringsmiddelen moeten effectief zijn, met elkaar gecombineerd kunnen worden en de te reinigen materialen beschermen. Voor meer informatie over ontsmetting in verzorgingsomgevingen raadpleegt u de richtlijnen 'The National Institute for Clinical Excellence' op Infection Control www.nice.org.uk/CG139 en uw lokale beleid voor infectiebeheer.

- Maak handmatig schoon of in een wasmachine of autoclaaf.
- Schoonmaken zonder schuurmiddel.

Reiniging in een huiselijke omgeving

1. Verwijder eventueel gemonteerde accessoires (alleen accessoires waarvoor geen gereedschap nodig is).
2. Trek de voetsteunen uit de geleiders.
3. Verwijder de zitplaat en de rugbekleding.
4. Verwijder de rem- en klembeschermers (zie hoofdstuk 4.2.9 *De rem- en klembeschermers plaatsen/verwijderen, pagina 220*).
5. Neem de verschillende onderdelen af met een doek of borstel en in de handel verkrijgbare reinigingsmiddelen en desinfecterende middelen.
6. Spoel de onderdelen met warm water af.
7. Droog de onderdelen met een doek.
8. Zet het product weer in elkaar. Zie hoofdstuk 4 Montage.

Reiniging in een klinische omgeving

-  Naast de hierboven beschreven manier van reinigen raden wij u aan het product te reinigen voordat dit door een andere patiënt wordt gebruikt, na beëindiging van de gebruikperiode of op regelmatige basis (afhankelijk van wat zich het eerst voordoet) bij
- 90 °C gedurende 1 minuut
 - 85 °C gedurende 3 minuten
 - 80 °C gedurende 10 minuten
- in de autoclaaf



LET OP!

Risico op verbranding van de huid

- Laat het product afkoelen na reiniging in de wasmachine of autoclaaf.

De rugbekleding reinigen (optioneel)

1. Verwijder de rugbekleding.
2. Was de bekleding met een mild wasmiddel in de wasmachine op maximaal 60 °C.



BELANGRIJK!

Risico op beschadiging

- Wassen op hogere temperaturen kan leiden tot schade.
- Niet in de wasdroger drogen.



BELANGRIJK!

- Door overmatig reinigen kan textiel beschadigen.
- Wij raden u aan de rugbekleding elke twee jaar te vervangen vanwege hygiënische redenen.

De ondersteek reinigen (optioneel)

De ondersteek kan worden gereinigd in een autoclaaf met de volgende temperaturen/tijden:

- 90 °C gedurende 1 minuut
- 85 °C gedurende 3 minuten
- 80 °C gedurende 10 minuten

9 Na gebruik

9.1 Opslag



WAARSCHUWING!

Risico op beschadiging van het product

- Bewaar het product in een droge omgeving.
- Bewaar dit product niet in de buurt van warmtebronnen.
- Stel dit product niet bloot aan direct zonlicht.
- Raadpleeg de voorschriften voor opslag en transport in hoofdstuk *11.3 Omgevingsparameters, pagina 237*.



Na langdurige opslag kan meer druk nodig zijn om de gasveer te activeren (alleen bij de Ocean Dual VIP Ergo).

9.2 Hergebruik

Het product is geschikt voor hergebruik. Hoe vaak het product kan worden hergebruikt, hangt af van de frequentie waarmee en manier waarop het product wordt gebruikt. Voordat u het product opnieuw gebruikt, moet u het grondig schoonmaken en ontsmetten (→ *8.2 Schoonmaken en desinfecteren, pagina 231*), en controleren op schade en juiste montage.

9.3 Afvoeren

Wij hopen dat u voldoende milieubewust bent om de verschillende materialen en onderdelen van dit product aan het einde van hun gebruiksduur afzonderlijk te recyclen via een afvalverwerkingsstation.

Het afvoeren en het recycleren van gebruikte producten en verpakkingen moeten voldoen aan de wet- en regelgeving voor de verwerking van afval in het betreffende land. Neem contact op met uw plaatselijke afvalverwerkingsbedrijf voor meer informatie.

10 Problemen oplossen

10.1 Storingen identificeren en oplossen

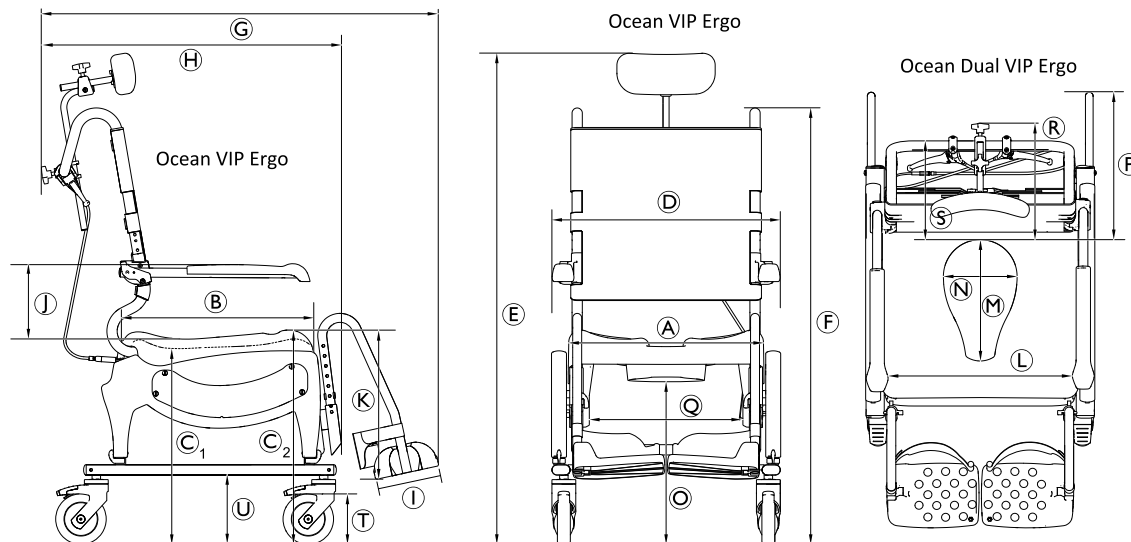


In de volgende tabel vindt u een overzicht van storingen en de mogelijke oorzaken daarvan. Als u de storing niet kunt verhelpen met behulp van de gegeven oplossingen, kunt u ook rechtstreeks contact opnemen met uw leverancier.

Storing	Mogelijke oorzaak	Oplossing
Moeilijkheden bij het aanpassen van de zithoogte	Vuil tussen het zitframe en de zijkant	Verwijder het frame en maak het samen met de zijkant grondig schoon
De zwenkwielen draaien moeilijk of niet	Vuil tussen de vork en de velg	Reinig de zwenkwielen grondig
Moeilijkheden bij het opzij duwen van de voetsteunen	Neerslag in de geleiders	Reinig de voetsteunen en de geleiders grondig
Het zitframe met rugleuning kan niet worden gekanteld	Opgehoopt vuil in kantelmechanisme	Verwijder de rembescherming en remhendelbescherming en maak het kantelmechanisme grondig schoon
	Bowden-kabel niet correct afgesteld	De Bowden-kabel moet worden afgesteld door een gekwalificeerde technicus
Meer kracht nodig om de gasveer te activeren (Dual VIP)	Langdurige opslag	Herhaal de kanteling van het zitframe meerdere keren
De rugleuning kan niet worden gekanteld (Dual VIP)	Bowden-kabel niet correct afgesteld	De Bowden-kabel moet worden afgesteld door een gekwalificeerde technicus
Ratelend geluid tijdens het kantelen van het zitframe met rugleuning.	Bowden-kabel niet correct afgesteld	De Bowden-kabel moet worden afgesteld door een gekwalificeerde technicus
	De activatiehandgreep is er niet volledig uit getrokken	Trek de activatiehandgreep helemaal naar buiten.

11 Technische Specificaties

11.1 Afmetingen en gewicht



	Ocean VIP Ergo	Ocean VIP Ergo XL	Ocean Dual VIP Ergo
(A)		480 mm	
(B)		480 mm	
(C ₁)		475 mm – 600 mm	
(C ₂)		533 mm – 658 mm	
(D)	565 mm	645 mm	565 mm

	Ocean VIP Ergo	Ocean VIP Ergo XL	Ocean Dual VIP Ergo
Ⓔ	circa 1052 mm – 1340 mm (in de neutrale stand van de zitting)		
Ⓕ	circa 1052 mm – 1202 mm (in de neutrale stand van de zitting)		
Ⓖ	circa 1000 mm		
Ⓗ	circa 742 mm		
Ⓘ	160 mm		
Ⓝ	213 mm / 251 mm / 289 mm		
Ⓚ	319 mm – 469 mm (in stappen van 25 mm)		
Ⓛ	455 mm	535 mm	455 mm
Ⓜ	350 mm (bovenkant) / 300 mm (onderkant)		
Ⓝ	250 mm (bovenkant) / 182 mm (onderkant)		
Ⓞ	400 mm – 525 mm		
Ⓟ	—	—	380 mm
Ⓠ	385 mm		
Ⓡ	295 mm		—
Ⓢ	230 mm		—
Ⓣ	Æ 5 inch (127 mm)		
Ⓤ	172 mm		
Hellingshoek van zitting	-5° – 40°		
Minimale hellingshoek van rugleuning	—	—	5° – 35°

	Ocean VIP Ergo	Ocean VIP Ergo XL	Ocean Dual VIP Ergo
Draaidiameter	2200 mm		
Achteruitrij- breedte	1140 mm		1290 mm
Gewicht van product	23,5 kg	23,5 kg	28,3 kg
Max. gebruikersgewicht	150 kg		

11.2 Materialen

Frame	Roestvrij staal, gemoffeld
Zitplaat	Polypropyleen, versterkt met glasvezel
Rugbekleding	Kunststof, pvc-coating
Voetsteunen	Polypropyleen, versterkt met glasvezel
Armsteunkussen	Polypropyleen
Zwenkwielen	Kunststof en roestvrij staal

Alle onderdelen van het product zijn roestbestendig en bevatten geen natuurrubberlatex.

11.3 Omgevingsparameters

Bedrijfsomstandigheden	
Omgevingstemperatuur	10-65 °C
Relatieve luchtvochtigheid	15%-93%, zonder condensvorming

Atmosferische druk	795-1060 hPa
Voorschriften voor opslag en transport	
Omgevingstemperatuur	0-65 °C
Relatieve luchtvochtigheid	30%-75%, zonder condensvorming
Atmosferische druk	795-1060 hPa

Περιεχόμενα

Το παρόν εγχειρίδιο πρέπει να δίνεται στον τελικό χρήστη. ΠΡΙΝ από την χρήση του προϊόντος, διαβάστε αυτό το εγχειρίδιο και φυλάξτε το για μελλοντική αναφορά.

1 ΓΕΝΙΚΕΣ	240
1.1 Εισαγωγή	240
1.2 Σύμβολα στο παρόν εγχειρίδιο	240
1.3 Πληροφορίες για την εγγύηση	241
1.4 Συμμόρφωση	241
1.4.1 Πρότυπα ειδικά για το προϊόν	241
1.5 Χρήση για την οποία προορίζεται	241
1.6 Διάρκεια λειτουργικής ζωής	242
2 Ασφάλειας	243
2.1 Πληροφορίες για την ασφάλεια	243
2.2 Ετικέτες και σύμβολα στο προϊόν	243
3 Εξαρτήματα	246
3.1 Επισκόπηση	246
4 Διάταξη	248
4.1 Πληροφορίες για την ασφάλεια	248
4.2 Συναρμολόγηση προσαρτήματος ντους και τουαλέτας	248
4.2.1 Ρύθμιση του ύψους του καθίσματος	248
4.2.2 Τοποθέτηση πλάτης	249
4.2.3 Τοποθέτηση λαβής ενεργοποίησης	251
4.2.4 Τοποθέτηση/αφαίρεση της πλάκας καθίσματος	251
4.2.5 Ρύθμιση του ύψους των υποβραχιόνιων	251
4.2.6 Εγκατάσταση υποποδίων	252
4.2.7 Τοποθέτηση προσκέφαλου	253
4.2.8 Τοποθέτηση πίσω διατάξεων προστασίας από ανατροπή	254
4.2.9 Τοποθέτηση/αφαίρεση των καλυμμάτων φρένων / καλυμμάτων προστασίας σύσφιξης	255

5 Παρελκόμενο (προαιρετικό)	256
5.1 Τοποθέτηση/εξαγωγή βάσης ουροδοχείου και ουροδοχείου	256
6 Χρήση	258
6.1 Πληροφορίες για την ασφάλεια	258
6.2 Περιστροφή υποβραχιόνιων	259
6.3 Περιστροφή υποποδίων	260
6.4 Κλίση πλαισίου καθίσματος με πλάτη	260
6.5 Κλίση πλάτης (Ocean Dual VIP Ergo μόνο)	262
6.6 Ασφάλιση/απασφάλιση ασφαλειών τροχών	263
7 Μεταφορά	264
7.1 Πληροφορίες για την ασφάλεια	264
8 ΣΥΝΤΗΡΗΣΗ	265
8.1 Συντήρηση και επιθεώρηση	265
8.2 Καθαρισμός και απολύμανση	265
9 μετά από χρήση	268
9.1 Αποθήκευση	268
9.2 Επαναχρησιμοποίηση	268
9.3 Απόρριψη	268
10 Αντιμετώπιση προβλημάτων	269
10.1 Εντοπισμός και αποκατάσταση βλαβών	269
11 Τεχνικά Δεδομένα	271
11.1 Διαστάσεις και βάρος	271
11.2 Υλικά	273
11.3 Περιβαλλοντικές παράμετροι	273

1 ΓΕΝΙΚΕΣ

1.1 Εισαγωγή

Το παρόν εγχειρίδιο χρήσης περιέχει σημαντικές πληροφορίες σχετικά με τον χειρισμό του προϊόντος. Για να διασφαλιστεί η ασφαλής χρήση του προϊόντος, μελετήστε προσεκτικά το εγχειρίδιο χρήσης και ακολουθήστε τις οδηγίες ασφαλείας.

Να έχετε υπόψιν σας ότι μπορεί να υπάρχουν ενότητες στο παρόν εγχειρίδιο χρήσης που δεν σχετίζονται με το δικό σας προϊόν, αφού το παρόν εγχειρίδιο ισχύει για όλα τα διαθέσιμα μοντέλα (κατά την ημερομηνία εκτύπωσής του). Εάν δεν αναφέρεται διαφορετικά, κάθε ενότητα στο παρόν εγχειρίδιο αναφέρεται σε όλα τα μοντέλα του προϊόντος.

Τα μοντέλα και οι διαμορφώσεις που διατίθενται στη χώρα σας βρίσκονται στους τιμοκαταλόγους κάθε χώρας.

Η Invacare επιφυλάσσεται του δικαιώματος να μεταβάλλει τις προδιαγραφές του προϊόντος χωρίς άλλη ειδοποίηση.

Πριν διαβάσετε το παρόν εγχειρίδιο, βεβαιωθείτε ότι έχετε την πιο πρόσφατη έκδοση. Μπορείτε να βρείτε την πιο πρόσφατη έκδοση ως αρχείο PDF στον ιστότοπο της Invacare.

Εάν βρίσκετε δυσανάγνωστο το μέγεθος της γραμματοσειράς στην έντυπη έκδοση του εγχειριδίου χρήσης, μπορείτε να κάνετε λήψη της έκδοσης PDF από τον ιστότοπο. Το αρχείο PDF μπορεί κατόπιν να προσαρμοστεί στην οθόνη σε μέγεθος γραμματοσειράς περισσότερο άνετο για εσάς.

Για περισσότερες πληροφορίες σχετικά με το προϊόν, π.χ. ειδοποιήσεις ασφαλείας και ανακλήσεις του προϊόντος,

επικοινωνήστε με τον τοπικό αντιπρόσωπο της Invacare. Στο τέλος του παρόντος εγχειριδίου αναγράφονται οι σχετικές διευθύνσεις.

1.2 Σύμβολα στο παρόν εγχειρίδιο

Στο παρόν εγχειρίδιο χρησιμοποιούνται σύμβολα και λέξεις σήμανσης που αφορούν κινδύνους ή μη ασφαλείς πρακτικές που μπορεί να οδηγήσουν σε τραυματισμό ή υλική βλάβη. Ανατρέξτε στις παρακάτω πληροφορίες για ορισμούς των προειδοποιητικών λέξεων.



ΠΡΟΕΙΔΟΠΟΙΗΣΗ

Υποδεικνύει μια επικίνδυνη κατάσταση, η οποία, εάν δεν αποφευχθεί, μπορεί να οδηγήσει σε σοβαρό τραυματισμό ή θάνατο.



ΠΡΟΣΟΧΗ

Υποδεικνύει μια επικίνδυνη κατάσταση, η οποία, εάν δεν αποφευχθεί, θα μπορούσε να οδηγήσει σε δευτερεύων ή ήπιο τραυματισμό.



ΣΗΜΑΝΤΙΚΟ

Υποδεικνύει μια εν δυνάμει επικίνδυνη κατάσταση η οποία, εάν δεν αποφευχθεί, θα μπορούσε να οδηγήσει σε υλική βλάβη.



Συμβουλές και συστάσεις

Παρέχει χρήσιμες υποδείξεις, συστάσεις και πληροφορίες για αποτελεσματική χρήση χωρίς προβλήματα.



Αυτό το προϊόν συμμορφώνεται με την Οδηγία 93/42/ΕΚ περί ιατρικών συσκευών. Η ημερομηνία κυκλοφορίας αυτού του προϊόντος αναφέρεται στη δήλωση συμμόρφωσης ΕΚ.



Κατασκευαστής του προϊόντος.

1.3 Πληροφορίες για την εγγύηση

Παρέχουμε εγγύηση κατασκευαστή για το προϊόν σύμφωνα με τους γενικούς όρους και συνθήκες επιχειρηματικής δραστηριότητας στις αντίστοιχες χώρες.

Απαιτήσεις στο πλαίσιο της εγγύησης επιτρέπονται μόνο μέσω του προμηθευτή από τον οποίο αγοράστηκε το προϊόν.

1.4 Συμμόρφωση

Η ποιότητα είναι θεμελιώδους σημασίας για τις εργασίες της εταιρίας, που λειτουργεί εντός των προβλέψεων του ISO 13485.

Το παρόν προϊόν φέρει το σήμα CE, σε συμμόρφωση με την Οδηγία 93/42/ΕΟΚ περί των ιατροτεχνολογικών προϊόντων Κατηγορίας 1.

Καταβάλλουμε συνεχείς προσπάθειες ώστε να διασφαλίζεται ότι η επίδραση της εταιρείας στο περιβάλλον, σε τοπικό και παγκόσμιο επίπεδο, μειώνεται στο ελάχιστο.

Χρησιμοποιούμε αποκλειστικά υλικά και εξαρτήματα που είναι συμβατά με την οδηγία REACH.

1.4.1 Πρότυπα ειδικά για το προϊόν

Το προϊόν έχει ελεγχθεί και βρέθηκε σύμφωνο με το πρότυπο ISO 17966 (Προϊόντα υποβοήθησης προσωπικής υγιεινής και υποστήριξης χρηστών) και τα συναφή πρότυπα. Αυτό περιλαμβάνει δοκιμές ευφλεκτότητας. Δεν προκαλείται προοδευτική ανάφλεξη πυράκτωσης και φλόγας.

Για περαιτέρω πληροφορίες σχετικά με τα τοπικά πρότυπα και κανονισμούς, επικοινωνήστε με τον τοπικό αντιπρόσωπο της Invacare. Στο τέλος του παρόντος εγχειριδίου αναγράφονται οι σχετικές διευθύνσεις.

1.5 Χρήση για την οποία προορίζεται

Το προσάρτημα ντους και τουαλέτας είναι σχεδιασμένο αποκλειστικά ως βοήθημα ντους ή μπάνιου, χρήσης της τουαλέτας, για χρήση στην προσωπική υγιεινή (π.χ. μπροστά από το νιπτήρα) ή για τη μεταφορά ασθενών σε εσωτερικούς χώρους. Προορίζεται για χρήση από νέους ή ενήλικες ασθενείς με ή χωρίς τη βοήθεια φροντιστή, οι οποίοι:

- Αντιμετωπίζουν δυσκολία στάσης ή διατήρησης της ισορροπίας τους
- Έχουν ασθενή πόδια ή αναπηρία κάτω άκρων
- Πάσχουν από ιατρικές παθήσεις που επηρεάζουν την ισορροπία τους

Το προϊόν προορίζεται για χρήση σε ίδρυμα και κατ' οίκον νοσηλεία. Απαγορεύεται κάθε άλλη χρήση.



ΠΡΟΕΙΔΟΠΟΙΗΣΗ!

Κίνδυνος τραυματισμού

- Ποτέ μην χρησιμοποιείτε το προϊόν ως βοήθημα για την είσοδο ή έξοδο από μπανιέρα, την ανάβαση ή κατάρβαση ή ως στήριγμα για παρόμοιους σκοπούς.
- Μην χρησιμοποιείτε το προϊόν σε εξωτερικούς χώρους.

Ως προσάρτημα τουαλέτας, το προϊόν μπορεί να χρησιμοποιηθεί επάνω από τυπική λεκάνη ή ανεξάρτητα με το ουροδοχείο (επιλογή).

Θερμοκρασία χρήσης: 10 - 65 °C

1.6 Διάρκεια λειτουργικής ζωής

Η προσδοκώμενη διάρκεια λειτουργικής ζωής αυτού του προϊόντος είναι πέντε έτη λειτουργίας όταν χρησιμοποιείται καθημερινά και σύμφωνα με τις οδηγίες ασφαλείας, τα διαστήματα συντήρησης και με σωστό τρόπο, όπως αναφέρονται στο παρόν εγχειρίδιο. Η τελική διάρκεια λειτουργικής ζωής ενδέχεται να διαφέρει ανάλογα με τη συχνότητα και την ένταση της χρήσης.

2 Ασφάλεια

2.1 Πληροφορίες για την ασφάλεια



ΠΡΟΕΙΔΟΠΟΙΗΣΗ!

Κίνδυνος τραυματισμού ή βλάβης

- Μη χρησιμοποιείτε το παρόν προϊόν ή τυχόν διαθέσιμο προαιρετικό εξοπλισμό χωρίς να έχετε προηγουμένως διαβάσει και κατανοήσει πλήρως τις παρούσες οδηγίες και τυχόν επιπλέον ενημερωτικό υλικό, όπως εγχειρίδια χρήστη, εγχειρίδια τεχνικής υποστήριξης ή φύλλα οδηγιών που παρέχονται με το παρόν προϊόν ή με προαιρετικό εξοπλισμό.
- Εάν δεν μπορείτε να κατανοήσετε τις προειδοποιήσεις, τις επισημάνσεις προσοχής ή τις οδηγίες, επικοινωνήστε με έναν επαγγελματία στον τομέα υγειονομικής περίθαλψης, έναν προμηθευτή της Invascare ή πιστοποιημένο τεχνικό πριν επιχειρήσετε να χρησιμοποιήσετε τον εξοπλισμό.



ΠΡΟΕΙΔΟΠΟΙΗΣΗ!

Κίνδυνος τραυματισμού

- Μην στέκεστε επάνω στο προϊόν.
- Μην το χρησιμοποιείτε ως βοήθημα αναρρίχησης.
- Μην χρησιμοποιείτε σε εξωτερικό χώρο.



ΠΡΟΕΙΔΟΠΟΙΗΣΗ!

Κίνδυνος τραυματισμού

- Μη χρησιμοποιείτε εάν εμφανίζει ελαττώματα.
- Σε περίπτωση δυσλειτουργίας, επικοινωνήστε άμεσα με τον προμηθευτή.
- Μην εκτελείτε μη εξουσιοδοτημένες αλλαγές ή τροποποιήσεις στο προϊόν.
- Χρησιμοποιείτε μόνο με εξαρτήματα που προορίζονται για αυτό το προϊόν.



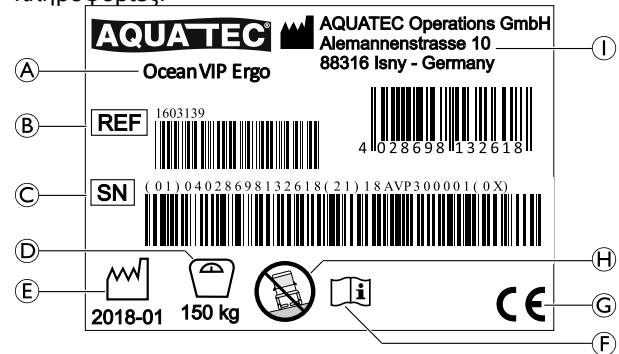
ΣΗΜΑΝΤΙΚΟ!

Οι πληροφορίες που περιλαμβάνονται σε αυτό το έγγραφο ενδέχεται να αλλάξουν χωρίς προειδοποίηση.

2.2 Ετικέτες και σύμβολα στο προϊόν

Ετικέτα προσδιορισμού στοιχείων


Η ετικέτα προσδιορισμού στοιχείων περιέχει σημαντικές πληροφορίες:




Α	Όνομασία προϊόντος
Β	Αριθμός αναφοράς
Γ	Σειριακός αριθμός
Δ	Μέγιστο βάρος χρήστη
Ε	Ημερομηνία κατασκευής
Φ	Διαβάστε το Εγχειρίδιο χρήσης
Γ	Σήμανση συμμόρφωσης
Η	Σημείωση (χρήση μόνο σε επίπεδες επιφάνειες)
Θ	Διεύθυνση κατασκευαστή

i Η ετικέτα προσδιορισμού στοιχείων είναι τοποθετημένη στο εσωτερικό του αριστερού πλευρικού μέρους.

Ετικέτες στο προϊόν

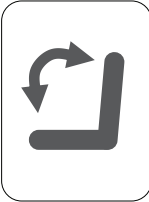
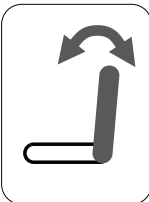
<p>Η παρακάτω ετικέτα βρίσκεται στην πίσω πλευρά του προσκέφαλου:</p>	
Ετικέτα	Περιγραφή
	<p>ΠΡΟΣΟΧΗ!</p> <p>Κίνδυνος σύγκρουσης!</p> <p>Κατά την έλξη της λαβής ενεργοποίησης, η πλάτη/το προσκέφαλο μπορεί να προσκρούσει στο σώμα σας.</p> <p>– Βεβαιωθείτε ότι υπάρχει επαρκής απόσταση ανάμεσα σε εσάς και την πλάτη/το προσκέφαλο κατά την κλίση του πλαισίου καθίσματος με πλάτη.</p>

Η παρακάτω ετικέτα βρίσκεται στη λαβή της πλάτης:

Ετικέτα	Περιγραφή
	<p>ΠΡΟΕΙΔΟΠΟΙΗΣΗ!</p> <p>Κίνδυνος ανατροπής</p> <ul style="list-style-type: none"> – Μην πατάτε επάνω στο υποπόδιο κατά την είσοδο ή έξοδο από το προσάρτημα ντους και τουαλέτας. – Ωθήστε τα υποπόδια στο πλάι ή αναδιπλώστε τις βάσεις ποδιών προτού εισέλθετε στο ή εξέλθετε από το προσάρτημα ντους και τουαλέτας. – Προτού καθίσετε ή σηκωθείτε, γυρίστε τους τροχούς ώστε η ασφάλεια να είναι στραμμένη προς τα εμπρός. – Μην γέρνετε πολύ προς τα εμπρός κατά το κάθισμα στο προσάρτημα ντους και τουαλέτας.

Οι παρακάτω ετικέτες βρίσκονται στις λαβές ενεργοποίησης:

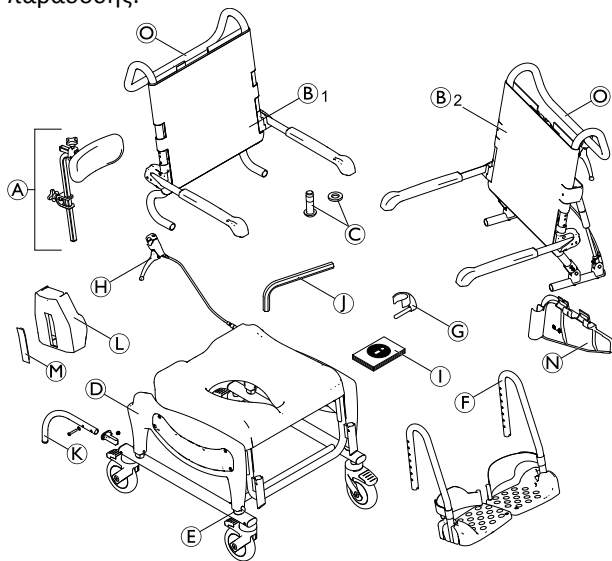
Ετικέτα	Περιγραφή
---------	-----------

	<p>Λαβή ενεργοποίησης για την κλίση του καθίσματος.</p>
	<p>Λαβή ενεργοποίησης μόνο για την κλίση της πλάτης.</p>

3 Εξαρτήματα

3.1 Επισκόπηση

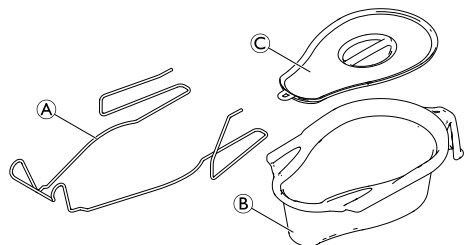
Τα ακόλουθα εξαρτήματα περιλαμβάνονται στο αντικείμενο παράδοσης:



(A)	Στήριγμα κεφαλής
(B ₁)	Ocean VIP Ergo: Πλάτη με κάλυμμα και υποβραχιόνια

(B ₂)	Ocean Dual VIP Ergo: Πλάτη με κάλυμμα, υποβραχιόνια και λαβή ενεργοποίησης για την κλίση πλάτης
(C)	Βίδες (4x) και ροδέλες (4x) για τη σταθεροποίηση της πλάτης
(D)	Πλαίσιο καθίσματος με βάση καθίσματος και πλευρικά τμήματα με πλαίσιο βάσης και τροχούς
(E)	Κλιπ (4x) για τη ρύθμιση του ύψους
(F)	Υποπόδια με μάντες πτέρνας (2x)
(G)	Κλιπ (2x) για τα υποπόδια
(H)	Λαβή ενεργοποίησης για την κλίση του καθίσματος
(I)	Εγχειρίδιο χρήσης
(J)	Κλειδί Allen
(K)	Πίσω διάταξη προστασίας από ανατροπή με βίδα, ροδέλα και κάλυμμα στερέωσης (2x) (Ocean Dual VIP Ergo μόνο)
(L)	Κάλυμμα φρένου (2x)
(N)	Κάλυμμα μοχλού φρένου (2x)
(M)	Κάλυμμα προστασίας σύσφιξης (2x)
(O)	Ράβδος ώθησης

Παρελκόμενο — Βάση ουροδοχείου με ουροδοχείο



(A)	Βάση ουροδοχείου
(B)	Ουροδοχείο
(C)	Καπάκι

4 Διάταξη

4.1 Πληροφορίες για την ασφάλεια



ΠΡΟΕΙΔΟΠΟΙΗΣΗ!

- Ελέγξτε τα εξαρτήματα για ζημιές από τη μεταφορά πριν τη θέση σε λειτουργία και επικοινωνήστε με τον προμηθευτή, εφόσον απαιτείται.
- Βεβαιωθείτε κατά τη συναρμολόγηση ότι τα εξαρτήματα έχουν τοποθετηθεί σωστά μεταξύ τους.
- Σε πολλές συνδέσεις χρησιμοποιούνται αυτασφαλιζόμενες βίδες/παξιμάδια ή η κόλλα ασφάλισης σπειρωμάτων. Εάν χαλαρώσουν, πρέπει να αντικατασταθούν με νέες αυτασφαλιζόμενες βίδες/παξιμάδια ή πρέπει να στερεωθούν με νέα κόλλα ασφάλισης σπειρωμάτων.

4.2 Συναρμολόγηση προσαρτήματος ντους και τουαλέτας

Αυτή η ενότητα περιγράφει τη συναρμολόγηση. Η αποσυναρμολόγηση εκτελείται με αντίστροφη σειρά.



Το ύψος υποβραχιόνιου, το ύψος υποπόδιου, η γωνία υποπόδιου, το προσκέφαλο, ο μιάντας πτέρνας, η τάνυση του καλύμματος πλάτης και τα παρελκόμενα πρέπει να ρυθμιστούν βέλτιστα στο χρήστη.

4.2.1 Ρύθμιση του ύψους του καθίσματος

Αυτή η ενότητα περιγράφει τη συναρμολόγηση. Η αποσυναρμολόγηση εκτελείται με αντίστροφη σειρά.

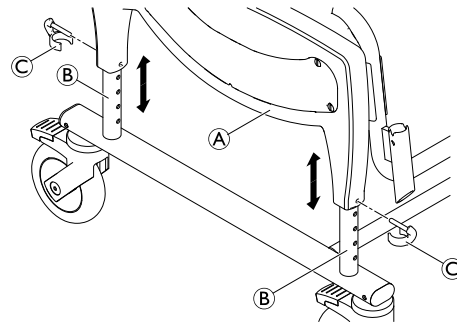


ΠΡΟΕΙΔΟΠΟΙΗΣΗ!

- Μην ρυθμίζετε το ύψος του παρελκομένου όταν κάποιος κάθεται σε αυτό.



Το ύψος του καθίσματος πρέπει να ρυθμιστεί στην ίδια ρύθμιση ύψους και στις δύο πλευρές ταυτόχρονα.



1. Ανυψώστε ελαφρά το προσάρτημα στο πλευρικό τμήμα **A**.
2. Αφαιρέστε τα τέσσερα κλιπ **C** (δύο σε κάθε πλευρά).
3. Ρυθμίστε το σωστό ύψος μετακινώντας ταυτόχρονα των πλαισίου καθίσματος προς τα επάνω ή προς τα κάτω στους τέσσερις σωλήνες **B** του πλαισίου βάσης.

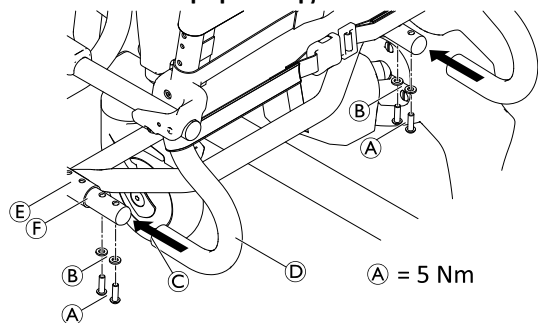
4. Φέρτε τις στερεώσεις των κλιπ στο πλευρικό μέρος, ευθυγραμμίζοντας με μια οπή στο πλαίσιο βάσης.
5. Εισαγάγετε τα τέσσερα κλιπ από το εξωτερικό μέρος στο πλευρικό τμήμα, μέχρι τα άκρα των κλιπ να περιβάλλουν το σωλήνα του πλαισίου βάσης ②.

**ΠΡΟΕΙΔΟΠΟΙΗΣΗ!****Κίνδυνος τραυματισμού**

- Βεβαιωθείτε ότι και τα τέσσερα κλιπ έχουν ασφαλίσει πλήρως.
- Βεβαιωθείτε ότι και οι τέσσερις σωλήνες έχουν ρυθμιστεί στο ίδιο ύψος.



Το ύψος του καθίσματος μπορεί να ρυθμιστεί για τις διάφορες περιστάσεις χρήσης, π.χ. μεταφορά από κλίνη ή αναπηρικό αμαξίδιο ή χρήση πάνω από τουαλέτα κ.λπ.

4.2.2 Τοποθέτηση πλάτης

1. Ωθήστε προς τα κάτω και τα τέσσερα πεντάλ ποδιού των τροχών για να τα ασφαλίσετε.
2. Ωθήστε την πλάτη ② από το πίσω μέρος επάνω στο πλαίσιο καθίσματος ⑤, μέχρι το κολάρο ③ να αγγίξει το σωλήνα πλαισίου του καθίσματος ⑥.

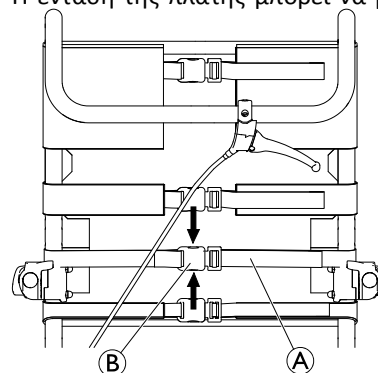
**ΣΗΜΑΝΤΙΚΟ!**

- Σφίξτε σταθερά τις βίδες χρησιμοποιώντας το παρεχόμενο κλειδί Allen.
- Ελέγχετε τις βίδες τακτικά για να διασφαλίσετε τη σταθερή στερέωσή τους.

3. Τοποθετήστε μια ροδέλα ④ σε κάθε βίδα ① και ασφαλίστε την πλάτη σε κάθε πλευρά.
4. Σφίξτε τις βίδες με ροπή 5 Nm.

Ρύθμιση καλύμματος πλάτης

Η ένταση της πλάτης μπορεί να ρυθμιστεί όπως απαιτείται.





ΠΡΟΕΙΔΟΠΟΙΗΣΗ!

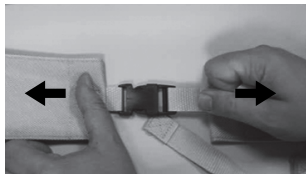
– Διασφαλίστε ότι τουλάχιστον τρεις ιμάντες διέρχονται πάντα γύρω από το πλαίσιο πλάτης (στην εξωτερική πλευρά) και οι αγκράφες τους είναι συνδεδεμένες.

Σύσφιξη:

1. Τραβήξτε τους ιμάντες **(A)** του καλύμματος πλάτης πιο σφιχτά.

Χαλάρωση:

1. Ανοίξτε τις αγκράφες **(B)** πιέζοντας τις γλωττίδες συγκράτησης μεταξύ τους (βέλη).
2. Ωθήστε τους ιμάντες λίγο προς τα πίσω μέσω της αγκράφας.
3. Συνδέστε τις αγκράφες των ιμάντων.
4. Συσφίγγετε προσεκτικά τους ιμάντες.



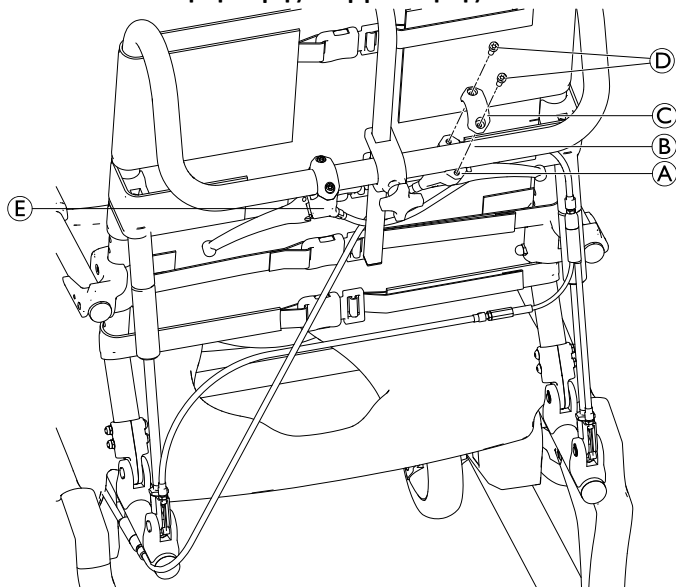
ΠΡΟΕΙΔΟΠΟΙΗΣΗ!

Κίνδυνος τραυματισμού λόγω φθαρμένων αγκραφών ιμάντα!


Ελέγξτε την ασφάλει σύνδεση των αγκραφών πλάτης κάθε φορά που συντηρείτε ή αποκαθιστάτε το προϊόν.

- Ελέγξτε όλα τα κλιπ των αγκραφών για την ασφάλει τους σύνδεση, κλείνοντας τις αγκράφες και τραβώντας και τα δύο άκρα.
- Αντικαταστήστε την πλάτη/αγκράφες πλάτης εάν κάποια αγκράφα ανοίγει με την εφαρμογή δύναμης.

4.2.3 Τοποθέτηση λαβής ενεργοποίησης



1. Αφαιρέστε το τμήμα σύσφιγξης © από τη λαβή ενεργοποίησης Ⓐ χαλαρώνοντας τις βίδες Ⓓ.
2. Τοποθετήστε τη λαβή ενεργοποίησης Ⓐ για την κλίση καθίσματος από την κάτω πλευρά στη δεξιά πλευρά του σωλήνα της λαβής Ⓑ.

 Η λαβή πρέπει να είναι ελαφρώς στραμμένη προς τα μέσα, προς την πλάτη.

3. Τοποθετήστε τη λαβή ενεργοποίησης στο σωλήνα λαβής χρησιμοποιώντας το τμήμα σύσφιγξης © και τις βίδες Ⓓ.



Για το Ocean Dual VIP Ergo, η λαβή ενεργοποίησης Ⓔ για την κλίση της πλάτης είναι ήδη τοποθετημένη στην αριστερή πλευρά του σωλήνα λαβής. Η θέση της λαβής ενεργοποίησης μπορεί να αλλάξει, εφόσον απαιτείται.

4.2.4 Τοποθέτηση/αφαίρεση της πλάκας καθίσματος

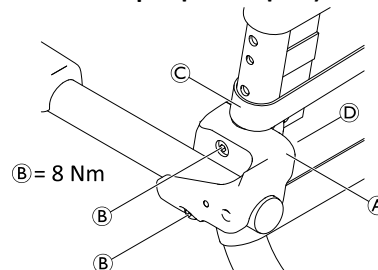
Τοποθέτηση:

1. Τοποθετήστε την πλάκα καθίσματος στο πλαίσιο καθίσματος με την εγκοπή στο μπροστινό μέρος.
2. Με επίπεδο χέρι, πιέστε την πλάκα καθίσματος στις πλευρές και στη συνέχεια στο εμπρός και πίσω μέρος μέχρι η πλάκα καθίσματος να ασφαλίσει στο πλαίσιο καθίσματος.


Αφαίρεση:

1. Τραβήξτε την πλάκα καθίσματος προς τα επάνω από το πίσω μέρος.


4.2.5 Ρύθμιση του ύψους των υποβραχιόνων



1. Στο κάλυμμα πλάτης, ανοίξτε το δεύτερο κατώτερο ιμάντα © και χαλαρώστε τους άλλους ιμάντες.

 Τα παξιμάδια έχουν τοποθετηθεί χαλαρά στο σφιγκτήρα ασφάλισης και μπορεί να πέσουν.

2. Ξεβιδώστε τις βίδες ⓑ του βραχίονα στήριξης του υποβραχιόνιου ⓐ με το παρεχόμενο κλειδί Allen.
3. Αφαιρέστε το σφιγκτήρα στερέωσης Δ με τα παξιμάδια από το εσωτερικό του πλαισίου πλάτης.
4. Αφαιρέστε το βραχίονα στερέωσης της πλάτης ⓐ με το υποβραχιόνιο και μετακινήστε τα προς τα επάνω.

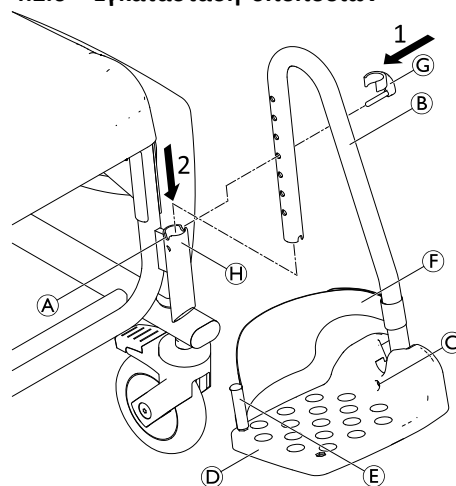
 Η μικρότερη οπή χρησιμοποιείται για τη στερέωση του σφιγκτήρα ασφάλισης.

5. Τοποθετήστε τις βίδες στο βραχίονα του υποβραχιόνιου και οδηγήστε τις στις οπές στο πλαίσιο πλάτης.
6. Εάν απαιτείται, τοποθετήστε τα παξιμάδια ξανά στο σφιγκτήρα στερέωσης.
7. Τοποθετήστε το σφιγκτήρα στερέωσης στο πλαίσιο πλάτης εισαγάγοντας τον πείρο στερέωσης στη μικρότερη οπή.
8. Γυρίστε τις βίδες στα παξιμάδια και σφίξτε.
9. Ανάλογα με το ύψος του υποβραχιόνιου, περάστε το δεύτερο κατώτερο ιμάντα στο εξωτερικό του πλαισίου πλάτης ή το εσωτερικό, συνδέστε και κλείστε όλους τους ιμάντες.
10. Η διαδικασία ρύθμισης ύψους είναι ίδια για το δεξιό και αριστερό υποβραχιόνιο.




Για τη σύνδεση παρελκομένων, ο δεύτερος κατώτερος ιμάντας μπορεί να ανοίξει και το κάλυμμα πλάτης μπορεί να περάσει από το πλαίσιο πλάτης στο εσωτερικό.


4.2.6 Εγκατάσταση υποποδίων



1. Εισαγάγετε τον πείρο του κλιπ Z από το εξωτερικό μέρος στην απαιτούμενη οπή του υποποδίου ⓑ. Βεβαιωθείτε ότι το κλιπ εμπλέκεται γύρω από το σωλήνα.
2. Ωθήστε το υποπόδιο στον οδηγό ⓓ στο εμπρός τμήμα του πλευρικού μέρους μέχρι ο πείρος του κλιπ Z να ασφαλίσει στην αύλακα ⓐ. Το υποπόδιο δεν μπορεί πλέον να στραφεί στο πλάι.


 Η διαδικασία συναρμολόγησης είναι ίδια για το δεξιό και αριστερό υποπόδιο.

Ρύθμιση του ύψους των υποποδίων

 Το μήκος των υποποδίων μπορεί να μειωθεί, εάν απαιτείται (ανατρέξτε στο εγχειρίδιο τεχνικής συντήρησης). Η μείωση του μήκους των υποποδίων πρέπει να εκτελείται από εξειδικευμένο τεχνικό.

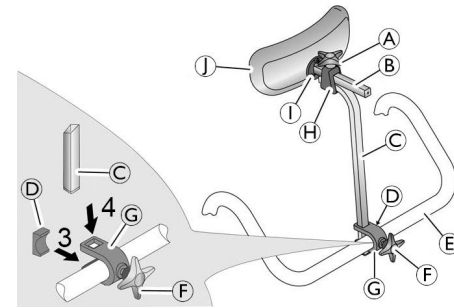
1. Τραβήξτε ελαφρώς προς τα επάνω το υποπόδιο ②.
2. Τραβήξτε το κλιπ Z έξω από την οπή στο υποπόδιο και επανατοποθετήστε το στην απαιτούμενη οπή. Τραβήξτε ελαφρώς προς τα έξω το υποπόδιο ξανά, εάν είναι απαραίτητο.
3. Ωθήστε το υποπόδιο προς τα κάτω, μέχρι η αύλακα ④ να παγιδεύσει τον πείρο του κλιπ.
4. Ρυθμίστε το άλλο υποπόδιο στο απαιτούμενο ύψος, όπως περιγράφηκε.

Ρύθμιση της κλίσης των πλακών ποδιών


 Η κλίση των πλακών ποδιών μπορεί να ρυθμιστεί απεριόριστα.

1. Χαλαρώστε τη βίδα Allen Γ στην πλάκα ποδιού με κλειδί Allen μεγέθους 4.
2. Γυρίστε την πλάκα ποδιού Δ στην απαιτούμενη θέση.
3. Σφίξτε ξανά τη βίδα Allen.

4.2.7 Τοποθέτηση προσκέφαλου




1. Χρησιμοποιήστε την αστεροειδή λαβή ⑥ για να εισαγάγετε τη βίδα σε μικρό μήκος στο βραχίονα ③.
2. Ωθήστε το βραχίονα με τη βίδα στη λαβή της πλάτης ⑤ από το πίσω μέρος, με τη βίδα ασφαλισμένη στην οπή της λαβής της πλάτης.
3. Εισαγάγετε την πλάκα ④ στο βραχίονα από το εμπρός μέρος έτσι ώστε και οι δύο γωνιτίδες της πλάκας να είναι στραμμένες προς τα κάτω και προς τα επάνω και η κοίλη πλευρά της πλάκας να αγγίζει τη λαβή της πλάτης.
4. Ωθήστε το σωλήνα ρύθμισης ύψους ② από το επάνω μέρος στις υποδοχές του βραχίονα.
5. Χρησιμοποιήστε την αστεροειδή λαβή για να σφίξετε τη βίδα μέχρι ο σωλήνας ρύθμισης ύψους να στερεωθεί στη θέση του.
6. Ωθήστε το παρέμβυσμα ① και το στήριγμα του παρεμβύσματος ② στην υποδοχή συγκράτησης ④ του σωλήνα ρύθμισης ύψους.
7. Χρησιμοποιήστε την αστεροειδή λαβή ① για να σφίξετε την επάνω βίδα μέχρι το στήριγμα παρεμβύσματος να στερεωθεί στη θέση του.


 Για την προσαρμογή στο χρήστη, ο σωλήνας ρύθμισης ύψους μπορεί να τοποθετηθεί με την καμπύλη στραμμένη προς τα εμπρός ή προς τα πίσω.

Το παρέμβυσμα του προσκέφαλου ① μπορεί να αφαιρεθεί και να αντικατασταθεί με παρεμβύσματα άλλου σχήματος (προαιρετικό). Για να το αφαιρέσετε, ξεβιδώστε τις βίδες συγκράτησης ①.

Ρύθμιση του μήκους του προσκέφαλου

 Το μήκος των σωλήνων του προσκέφαλου ③ και ④ μπορεί να μειωθεί, εάν απαιτείται (ανατρέξτε στο εγχειρίδιο τεχνικής συντήρησης). Η μείωση του μήκους του σωλήνα του προσκέφαλου πρέπει να εκτελείται από εξειδικευμένο τεχνικό.

4.2.8 Τοποθέτηση πίσω διατάξεων προστασίας από ανατροπή

 **ΠΡΟΕΙΔΟΠΟΙΗΣΗ!**
Κίνδυνος ανατροπής

Κατά την κλίση της πλάτης, υπάρχει σοβαρός κίνδυνος τραυματισμού στο Ocean Dual VIP Ergo. Ολόκληρη η καρέκλα μπορεί να γείρει προς τα πίσω.

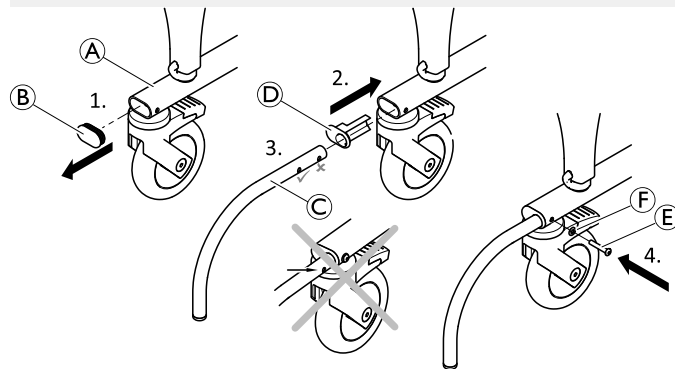
– Πριν τη χρήση του Ocean Dual VIP Ergo, βεβαιωθείτε ότι έχουν τοποθετηθεί και οι δύο πίσω διατάξεις προστασίας από ανατροπή.



ΠΡΟΕΙΔΟΠΟΙΗΣΗ!

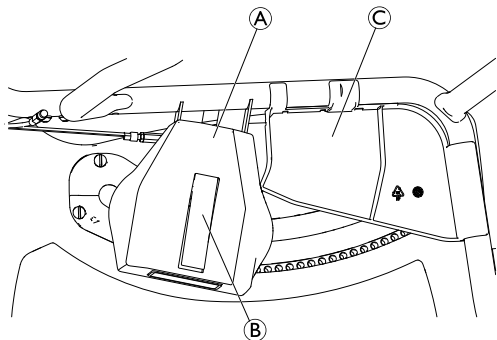
Κίνδυνος τραυματισμού

– Ποτέ μην στέκεστε στις διατάξεις προστασίας από ανατροπή.



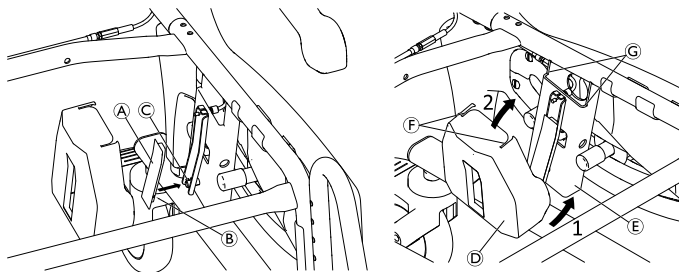
1. Αφαιρέστε τον κάλυμμα ② από τη βάση του πλαισίου ①.
2. Αφαιρέστε τον κάλυμμα στερέωσης ④ από τη βάση του πλαισίου.
3. Εισαγάγετε το σωλήνα προστασίας από ανατροπή ③.
4. Στερεώστε τη διάταξη προστασίας από ανατροπή μέσω της δεύτερης οπής, χρησιμοποιώντας τη βίδα ⑤ με τη ροδέλα ⑥.
5. Τοποθετήστε τη δεύτερη διάταξη προστασίας από ανατροπή στην άλλη πλευρά.

4.2.9 Τοποθέτηση/αφαίρεση των καλυμμάτων φρένων / καλυμμάτων προστασίας σύσφιγξης



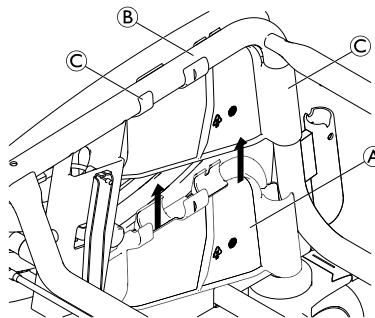
(A)	Κάλυμμα φρένου
(B)	Κάλυμμα μοχλού φρένου
(C)	Κάλυμμα προστασίας σύσφιγξης

Κάλυμμα φρένου



1. Συνδέστε το κάλυμμα του μοχλού φρένου (A) εμπλέκοντας την υποδοχή (B) στο μικρό άξονα (C).
2. Τοποθετήστε το κατώτερο τμήμα του καλύμματος φρένου (D) σε γωνία από το κάτω μέρος και επάνω από το περίβλημα φρένου (E).
3. Διπλώστε το επάνω μέρος του καλύμματος φρένου στο περίβλημα φρένου ώστε οι εσοχές (F) να εδράσουν στο ίδιο επίπεδο με τις ακμές (G).
4. Τοποθετήστε το δεύτερο κάλυμμα φρένου στην άλλη πλευρά.

Κάλυμμα προστασίας σύσφιγξης



1. Τοποθετήστε το κάλυμμα προστασίας σύσφιγξης (A) συνδεοντάς το στους σωλήνες του πλαισίου (B). Βεβαιωθείτε ότι όλα τα κλιπ (C) έχουν ασφαλίσει πλήρως.
2. Τοποθετήστε το δεύτερο κάλυμμα προστασίας σύσφιγξης στην άλλη πλευρά.

5 Παρελκόμενο (προαιρετικό)

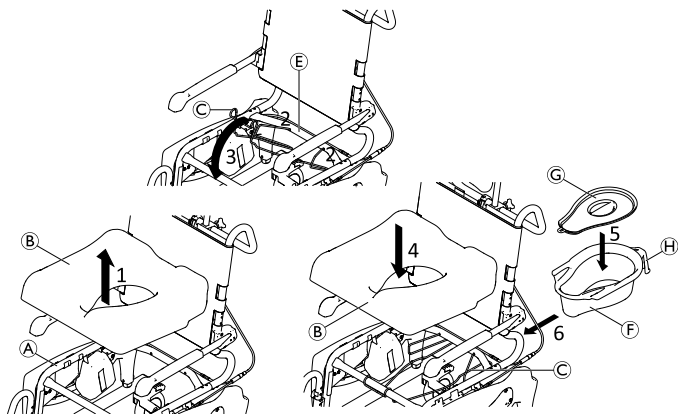


ΠΡΟΕΙΔΟΠΟΙΗΣΗ!

Κίνδυνος τραυματισμού

– Η συναρμολόγηση των παρελκομένων (προαιρετικά) πρέπει να εκτελείται σύμφωνα με τις αντίστοιχες οδηγίες.

5.1 Τοποθέτηση/εξαγωγή βάσης ουροδοχείου και ουροδοχείου



i Το ουροδοχείο ΣΤ μπορεί να τοποθετηθεί/αφαιρεθεί με ή χωρίς το καπάκι ©.

1. Αφαιρέστε το κάθισμα © από το πλαίσιο ©.
2. Τοποθετήστε τα άκρα της βάσης ουροδοχείου © στις οπές του πίσω εγκάρσιου σωλήνα ©.

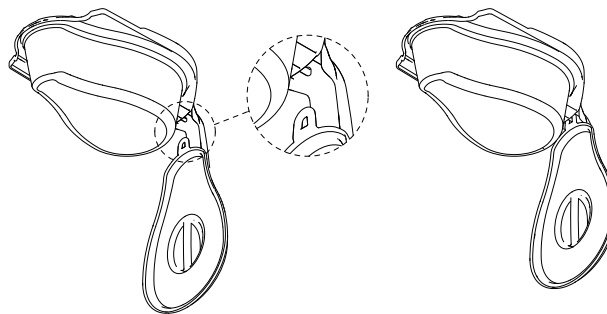
3. Εμπλέξτε το εμπρός μέρος της βάσης του ουροδοχείου με τον εμπρός εγκάρσιο σωλήνα Δ.
4. Επανατοποθετήστε το κάθισμα στο πλαίσιο.
5. Τοποθετήστε ή αφαιρέστε το κάλυμμα του ουροδοχείου.
6. Κρατήστε το ουροδοχείο από τη λαβή του © και εισαγάγετε από την πίσω πλευρά μεταξύ της βάσης του ουροδοχείου και του καθίσματος.



Πιέστε ελαφρά προς τα κάτω το ουροδοχείο κατά την εισαγωγή ή αφαίρεση.



Το κάλυμμα μπορεί να αναρτηθεί στον πλαστικό γάντζο στην κάτω πλευρά της λαβής του ουροδοχείου.



Υπάρχει μια ένδειξη στάθμης πλήρωσης στο εσωτερικό τοίχωμα του ουροδοχείου.

2.5 l	<input type="checkbox"/>	
2.25 l	<input type="checkbox"/>	
2 l	<input type="checkbox"/>	<input type="checkbox"/>
1.75 l	<input type="checkbox"/>	<input type="checkbox"/>
1.5 l	<input type="checkbox"/>	
1.25 l	<input type="checkbox"/>	
1 l	<input type="checkbox"/>	<input type="checkbox"/>
0.75 l	<input type="checkbox"/>	
0.5 l	<input type="checkbox"/>	
0.25 l	<input type="checkbox"/>	

6 Χρήση

6.1 Πληροφορίες για την ασφάλεια



ΠΡΟΕΙΔΟΠΟΙΗΣΗ!

- Χρησιμοποιείτε το προσάρτημα ντους και τουαλέτας μόνο σε επίπεδη επιφάνεια και σε εσωτερικούς χώρους.
- Τηρείτε τις προδιαγραφές στην ετικέτα προσδιορισμού. Μην υπερφορτώνετε το προσάρτημα ντους και τουαλέτας.
- Τηρείτε τις ετικέτες για την ασφάλεια στην πίσω πλευρά του προσκέφαλου και στη λαβή της πλάτης, 2.2 *Ετικέτες και σύμβολα στο προϊόν, σελίδα 243*
- Μην εφαρμόζετε υπερβολικό βάρος στο προσάρτημα ντους και τουαλέτας.
- Εκτελείτε πάντα οπτική επιθεώρηση του προϊόντος για εξωτερική φθορά πριν από κάθε χρήση.



ΠΡΟΕΙΔΟΠΟΙΗΣΗ!

Κίνδυνος ολίσθησης και κύλισης

- Πριν τη χρήση, βεβαιωθείτε ότι το κάθισμα είναι σταθερά στερεωμένο στο πλαίσιο καθίσματος
- Ασφαλίστε όλους τους τροχούς με μοχλούς, χρησιμοποιώντας το μοχλό ποδιού πριν καθίσετε στο προσάρτημα του ντους και τουαλέτας ή προτού σηκωθείτε από αυτά, καθώς και στη θέση στάθμευσης.



ΠΡΟΕΙΔΟΠΟΙΗΣΗ!

Κίνδυνος ανατροπής

- Περιστρέψτε τα υποπόδια στο πλάι ή αναδιπλώστε τις βάσεις ποδιών προτού καθίσετε ή σηκωθείτε.
- Προτού καθίσετε ή σηκωθείτε, γυρίστε τους εμπρός τροχούς ώστε η ασφάλεια να είναι στραμμένη προς τα εμπρός.
- Ποτέ μην στέκεστε στα υποπόδια.
- Μην γέρνετε υπερβολικά προς τα εμπρός.
- Ωθείτε τον καθισμένο χρήστη στη διάταξη μόνο όταν το πλαίσιο καθίσματος και η πλάτη βρίσκονται σε κάθετη θέση.
- Μεταφέρετε το χρήστη από και προς τη διάταξη μόνο όταν το πλαίσιο καθίσματος και η πλάτη βρίσκονται σε κάθετη θέση.
- Ποτέ μην αφαιρείτε τα πνευματικά ελατήρια (Ocean Dual VIP Ergo μόνο).



ΠΡΟΕΙΔΟΠΟΙΗΣΗ!

Κίνδυνος τραυματισμού!

- Πριν τη χρήση του Ρυθμιζόμενου μαλακού καθίσματος (προαιρετικό παρελκόμενο), τα πλευρικά καλύμματα (κωδ. Εξαρτήματος AP1605002) πρέπει να τοποθετηθούν.



ΠΡΟΕΙΔΟΠΟΙΗΣΗ!

Κίνδυνος ανατροπής προς τα πίσω!

- Το Ocean Dual VIP Ergo πρέπει να χρησιμοποιείται μόνο όταν έχουν τοποθετηθεί οι πίσω διατάξεις προστασίας από ανατροπή.

**ΠΡΟΕΙΔΟΠΟΙΗΣΗ!****Κίνδυνος ανατροπής**

- Το προσάρτημα ντους και τουαλέτας πρέπει να μετακινείται μόνο χρησιμοποιώντας τη λαβή ώθησης.

**ΠΡΟΣΟΧΗ!****Κίνδυνος εγκαυμάτων στο δέρμα**

- Τα εξαρτήματα του προϊόντος ενδέχεται να θερμανθούν, εάν εκτεθούν σε εξωτερικές πηγές θερμότητας.
- Λάβετε υπόψη τις θερμαινόμενες επιφάνειες κατά τη χρήση του προσαρτήματος ντους και τουαλέτας σε σάουνα ή όταν εκτίθεται σε καυτό νερό.
 - Μην εκθέτετε το προϊόν σε άμεση ηλιακή ακτινοβολία πριν τη χρήση.

**ΠΡΟΣΟΧΗ!****Κίνδυνος παγίδευσης λόγω του μηχανισμού κλίσης**

- Κατά την κλίση του πλαισίου καθίσματος, βεβαιωθείτε ότι τα χέρια του χρήστη είναι τοποθετημένα επάνω στα υποβραχιόνια.
- Βεβαιωθείτε ότι το κάλυμμα προστασίας σύσφιξης είναι τοποθετημένο στο πλαίσιο, ανατρέξτε στο κεφάλαιο 4.2.9 *Τοποθέτηση/αφαίρεση των καλυμμάτων φρένων / καλυμμάτων προστασίας σύσφιξης, σελίδα 255*

**ΣΗΜΑΝΤΙΚΟ!****Κίνδυνος θραύσης του προσκέφαλου**

- Οδηγείτε ή ωθείτε το προσάρτημα ντους και τουαλέτας χρησιμοποιώντας μόνο τη λαβή στην πλάτη, ποτέ από το προσκέφαλο.

**ΣΗΜΑΝΤΙΚΟ!****Κίνδυνος βλάβης του προϊόντος**

- Μην ανυψώνετε το προσάρτημα ντους και τουαλέτας χρησιμοποιώντας τα υποπόδια, υποβραχιόνια ή άλλα παρελκόμενα.

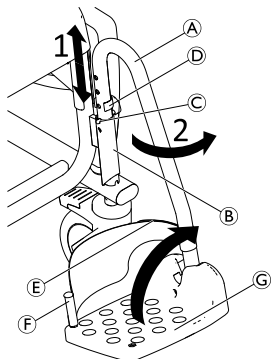


Για χρήστες με μεγάλο κίνδυνο να σταθούν στα υποπόδια (π.χ. άνοια), διατίθενται εμπρός διατάξεις προστασίας από ανατροπή (κωδ. εξαρτήματος AP1603992) ως παρελκόμενα για την αποτροπή της ανατροπής προς τα εμπρός του προσαρτήματος ντους και τουαλέτας.

6.2 Περιστροφή υποβραχιόνιων**ΠΡΟΣΟΧΗ!****Κίνδυνος παγίδευσης των δακτύλων στο μηχανισμό αναδίπλωσης**

- Μην εισαγάγετε τα δάκτυλά σας στον αρθρωτό σύνδεσμο κατά την αναδίπλωση ή ανάπτυξη των υποβραχιόνιων.
- Μην εισαγάγετε τα δάκτυλά σας μεταξύ του υποβραχιόνιου και της πλάτης κατά την αναδίπλωση των υποβραχιόνιων.
- Βεβαιωθείτε ότι δεν παγιδεύονται τμήματα στις αρθρώσεις.

6.3 Περιστροφή υποποδίων



Θέση εισόδου/θέση εξόδου:

1. Τραβήξτε ελαφρώς προς τα επάνω το υποπόδιο (A) στον οδηγό (B) μέχρι ο πείρος του κλιπ (D) να μην εμπλέκεται πλέον στην αύλακα (C).
2. Περιστρέψτε το υποπόδιο στο πλάι.

Θέση οδήγησης:



ΠΡΟΣΟΧΗ!

Κίνδυνος ατυχήματος λόγω χαλαρού υποποδίου
– Στερεώστε τα υποπόδια στη θέση οδήγησης.

1. Γυρίστε το υποπόδιο (A) προς τα μέσα.
2. Ωθήστε το υποπόδιο προς τα κάτω, μέχρι ο πείρος του κλιπ (D) να εμπλακεί στην αύλακα (C).



Εναλλακτικά, μπορείτε να περιστρέψετε τις πλάκες ποδιών (C) προς τα επάνω για την είσοδο/έξοδο στο προσάρτημα ντους και τουαλέτας.

Εξαγωγή/τοποθέτηση μάντα πτέρνας

1. Ανοίξτε το άγκιστρο και περάστε τη λωρίδα (E) στον μάντα πτέρνας.
2. Αφαιρέστε τη βίδα (F) από την κάτω πλευρά της πλάκας ποδιών.
3. Αφαιρέστε τον μάντα πτέρνας από τον εύκαμπτο πλαστικό πείρο.



Για τη σύνδεση του μάντα, εκτελέστε την ίδια διαδικασία με αντίστροφη σειρά.



Κατά την εγκατάσταση βεβαιωθείτε ότι ο βρόγχος και η ταινία στον μάντα πτέρνας είναι στραμμένα προς τα πίσω.

6.4 Κλίση πλαισίου καθίσματος με πλάτη



ΣΗΜΑΝΤΙΚΟ!

– Ποτέ μην προσεγγίζετε στην περιοχή μεταξύ του πλαισίου καθίσματος και της πλάτης και του εμπρός σωληνωτού πλαισίου μεταξύ των πλευρικών μερών κατά την κλίση.

Κλίση προς τα πίσω/προς τα εμπρός

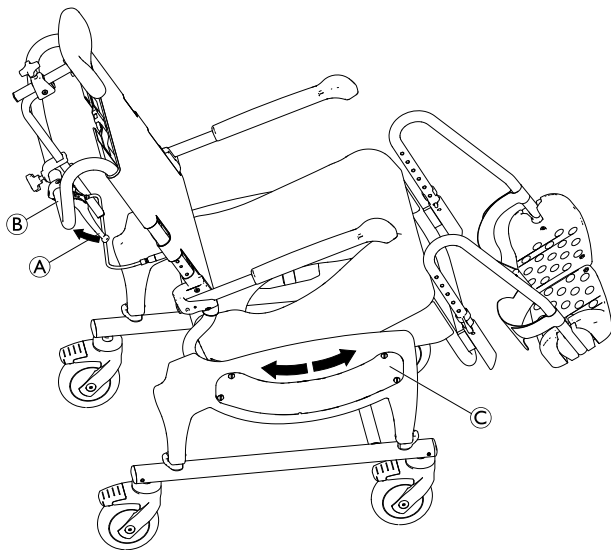


Το πλαίσιο καθίσματος μπορεί να γείρει περίπου 40° προς τα πίσω μαζί με την πλάτη.



Όταν χρησιμοποιούνται οι ασφάλειες υποβραχιόνιων (προαιρετικό αξεσουάρ) και τα υποβραχιόνια είναι τοποθετημένα στην πιο χαμηλή θέση, το κάθισμα δεν μπορεί να γείρει τελείως προς τα πίσω. Η μέγιστη κλίση είναι 35°.

i Για τα δύο χαμηλότερα ύψη καθίσματος, δεν μπορεί να χρησιμοποιηθεί το πλήρες εύρος ρύθμισης του υποποδίου. Πριν τη χρήση, ελέγξτε ότι τα υποπόδια δεν αγγίζουν το δάπεδο κατά την κλίση του καθίσματος προς τα εμπρός. Εάν είναι απαραίτητο, ρυθμίστε ξανά το ύψος καθίσματος ή το ύψος υποποδίου ανάλογα.



ΠΡΟΣΟΧΗ!

Κίνδυνος σύνθλιψης

Ο μηχανισμός κλίσης μπορεί να παγιδεύσει και να σύνθλιψει τα δάκτυλα ή τα χέρια σας.

– Πριν από κάθε χρήση, βεβαιωθείτε ότι τα πλευρικά καλύμματα © του μηχανισμού κλίσης έχουν τοποθετηθεί σωστά.

1. Ωθήστε προς τα κάτω και τα τέσσερα πεντάλ ποδιού για να ασφαλίσετε τους τροχούς.
2. Κρατήστε την καρέκλα για το ντους από τη λαβή ώθησης ©.
3. Τραβήξτε και κρατήστε τη λαβή ενεργοποίησης Α.
4. Ρυθμίστε την απαιτούμενη κλίση ωθώντας προς τα κάτω ή έλκοντας προς τα επάνω τη λαβή ©.
5. Απελευθερώστε τη λαβή ενεργοποίησης και αφήστε τους πείρους του μηχανισμού κλίσης να εμπλακούν στις πλησιέστερες οπές. Το πλαίσιο καθίσματος ρυθμίζεται στην επιλεγμένη κλίση.

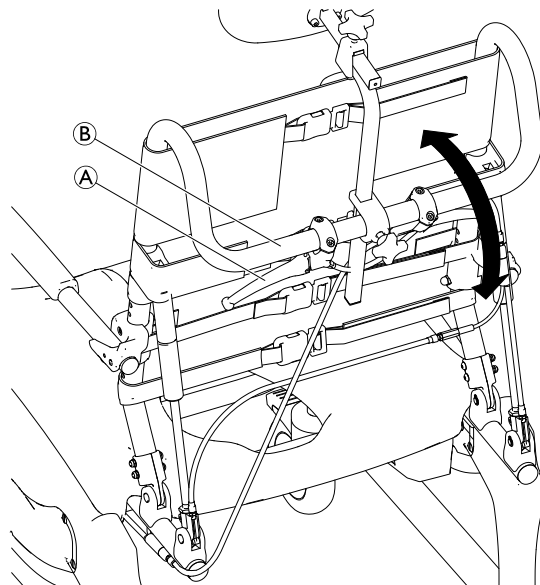
6.5 Κλίση πλάτης (Ocean Dual VIP Ergo μόνο)



ΠΡΟΣΟΧΗ!

Υπάρχει ο κίνδυνος να πιαστούν τα δάχτυλα μεταξύ του βραχίονα στήριξης του υποβραχιόνιου και του πλευρικού μέρους

- Ποτέ μην προσεγγίζετε στην περιοχή μεταξύ του βραχίονα στήριξης του υποβραχιόνιου και του πλευρικού μέρους καθώς κλίνετε προς τα πίσω το πλαίσιο καθίσματος ή καθώς χαμηλώνετε την πλάτη.
- Κατά την κλίση του πλαισίου καθίσματος ή της πλάτης, βεβαιωθείτε ότι τα χέρια του χρήστη είναι τοποθετημένα επάνω στα υποβραχιόνια ή διπλωμένα μπροστά από το σώμα.




1. Ωθήστε προς τα κάτω και τα τέσσερα πεντάλ ποδιού για να ασφαλίσετε τους τροχούς.
2. Κρατήστε την καρέκλα για το ντους από τη λαβή ώθησης B.
3. Τραβήξτε και κρατήστε τη λαβή ενεργοποίησης A.



Η λαβή ενεργοποίησης διαθέτει διάταξη ασφάλισης. Για την ενεργοποίηση της λαβής, η διάταξη ασφάλισης πρέπει να τραβηχθεί εκ των προτέρων.

4. Γείρετε την πλάτη στην απαιτούμενη θέση.
5. Απελευθερώστε τη λαβή ενεργοποίησης για να σταθεροποιήσετε την πλάτη στην τρέχουσα θέση.

 Χωρίς καθισμένο χρήστη, απαιτείται αυξημένη δύναμη για την κλίση προς τα πίσω. Κατά την έλξη της λαβής ενεργοποίησης χωρίς καθισμένο χρήστη, εκτελείται αυτόματη κλίση προς τα επάνω.

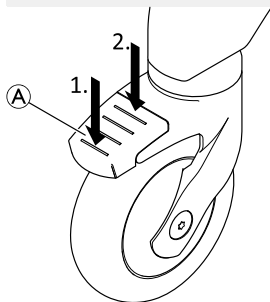
6.6 Ασφάλιση/απασφάλιση ασφαλειών τροχών

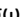



ΠΡΟΣΟΧΗ!

Κίνδυνος παγίδευσης/συμπίεσης

Όλες οι ασφάλειες τροχών ελέγχονται με το πόδι.
– Μην χειρίζεστε τις ασφάλειες τροχών με το χέρι.



1. Για να ασφαλίσετε τις ασφάλειες τροχών πατήστε στο πίσω άκρο του πεντάλ  μέχρι να ασφαλίσει.
2. Για να απασφαλίσετε τις ασφάλειες τροχών πατήστε στο εμπρός άκρο του πεντάλ μέχρι να απασφαλίσει.

 Ο τροχός με μπλε μοχλό (προαιρετικό) χρησιμοποιείται για την εμπλοκή της ασφάλειας κατεύθυνσης για ευκολότερη κίνηση σε ευθεία.

7 Μεταφορά

7.1 Πληροφορίες για την ασφάλεια



Το προϊόν μπορεί να αποσυναρμολογηθεί για μεταφορά στα εξαρτήματα του καταλόγου παράδοσης, ανατρέξτε στο κεφάλαιο 3 *Εξαρτήματα*, σελίδα 246

1. Αποσυναρμολόγηση προϊόντος: Ανατρέξτε στο κεφάλαιο 4 *Διάταξη*, σελίδα 248 ακολουθώντας τα βήματα συναρμολόγησης με αντίστροφη σειρά.



ΣΗΜΑΝΤΙΚΟ!

Κίνδυνος βλάβης του προϊόντος

- Μεταφέρετε το προϊόν σε στεγνό χώρο.
- Μην εκθέτετε το προϊόν σε άμεση ηλιακή ακτινοβολία.
- Ανατρέξτε στις συνθήκες αποθήκευσης και μεταφοράς στο κεφάλαιο 11.3 *Περιβαλλοντικές παράμετροι*, σελίδα 273



ΣΗΜΑΝΤΙΚΟ!

- Σε πολλές συνδέσεις χρησιμοποιούνται αυτασφαλιζόμενες βίδες/παξιμάδια ή η κόλλα ασφάλισης σπειρωμάτων. Εάν χαλαρώσουν, πρέπει να αντικατασταθούν με νέες αυτασφαλιζόμενες βίδες/παξιμάδια ή πρέπει να στερεωθούν με νέα κόλλα ασφάλισης σπειρωμάτων.

8 ΣΥΝΤΗΡΗΣΗ

8.1 Συντήρηση και επιθεώρηση

Αυτό το προϊόν δεν απαιτεί συντήρηση, εφόσον τηρούνται οι οδηγίες καθαρισμού και ασφάλειας που ορίζονται κατωτέρω.

Για να διασφαλιστεί η ορθή απόδοση και ασφάλεια, οι παρακάτω έλεγχοι πρέπει να εκτελούνται συστηματικά:

- Ελέγχετε τακτικά το προϊόν και τα παρελκόμενα για φθορές. Μην χρησιμοποιείτε το προϊόν εάν εμφανίζει ελαττώματα.
- Ελέγξτε τη λειτουργία κλίσης του πλαισίου καθίσματος και της πλάτης (Ocean Dual VIP Ergo). Η εύκολη κλίση και η σταθερή ασφάλιση της θέσης είναι απαραίτητα στοιχεία.
- Σε περίπτωση βλάβης ή δυσλειτουργίας, συστήνεται να επικοινωνήσετε με τον προμηθευτή.
- Βεβαιωθείτε ότι το προϊόν είναι ασφαλώς συναρμολογημένο, συμπεριλαμβανομένων όλων των καλυμμάτων προστασίας, και ότι όλες οι βίδες είναι κατάλληλα σφιγμένες.



ΠΡΟΕΙΔΟΠΟΙΗΣΗ!

Κίνδυνος τραυματισμού και ζημιάς

Εάν το προϊόν δεν ρυθμιστεί κατάλληλα μπορεί να προκαλέσει ατυχήματα και σοβαρό τραυματισμό.

- Το προϊόν πρέπει να επισκευάζεται από εξειδικευμένο τεχνικό.
- Το ζημιωμένα εξαρτήματα πρέπει να αντικαθίστανται από εξειδικευμένο τεχνικό.
- Χρησιμοποιείτε μόνο γνήσια ανταλλακτικά Invacare.

8.2 Καθαρισμός και απολύμανση

Το προϊόν μπορεί να καθαριστεί και να απολυμανθεί με καθαριστικά διαθέσιμα στο εμπόριο.



ΣΗΜΑΝΤΙΚΟ!

- Στην ευαίσθητη περιοχή του μπάνιου και της τουαλέτας, η υγιεινή είναι ιδιαίτερα σημαντική.
- Διατηρείτε πάντα το προϊόν καθαρό και σκουπίζετε το τακτικά.
 - Απολυμαίνετε τακτικά το προϊόν.

1. Απολυμάνετε το προϊόν σκουπίζοντας όλες τις προσβάσιμες επιφάνειες με απολυμαντικό (μετά την αποσυναρμολόγηση του προϊόντος, εάν είναι δυνατό).

**ΣΗΜΑΝΤΙΚΟ!**

Όλα τα καθαριστικά και απολυμαντικά που χρησιμοποιούνται πρέπει να είναι αποτελεσματικά, συμβατά μεταξύ τους και πρέπει να προστατεύουν τα υλικά για τα οποία χρησιμοποιούνται. Για περισσότερες πληροφορίες σχετικά με την απολύμανση σε Περιβάλλον φροντίδας υγείας, ανατρέξτε στις οδηγίες του "The National Institute for Clinical Excellence" αναφορικά με τον Έλεγχο μολύνσεων στη διεύθυνση www.nice.org.uk/CG139 και την τοπική πολιτική ελέγχου μολύνσεων.

- Καθαρίστε με το χέρι ή σε πλυντήριο ή αυτόκλειστο.
- Καθαρίστε χωρίς απορρυπαντικό.

Καθαρισμός σε οικιακό περιβάλλον

1. Αφαιρέστε τυχόν τοποθετημένα παρελκόμενα (μόνο τα παρελκόμενα που δεν απαιτούν εργαλεία).
2. Τραβήξτε τα υποπόδια έξω από τους οδηγούς.
3. Αφαιρέστε τη βάση καθίσματος και το κάλυμμα πλάτης.
4. Αφαιρέστε τα καλύμματα φρένων και τα καλύμματα προστασίας σύσφιξης. Ανατρέξτε στο κεφάλαιο 4.2.9 *Τοποθέτηση/αφαίρεση των καλυμμάτων φρένων / καλυμμάτων προστασίας σύσφιξης, σελίδα 255*
5. Σκουπίστε τα μεμονωμένα μέρη με πανί ή βούρτσα και απορρυπαντικά και απολυμαντικά του εμπορίου.
6. Ξεπλύνετε τα μέρη με ζεστό νερό.
7. Στεγνώστε τα μέρη με πανί.
8. Επανασυναρμολογήστε το προϊόν, ανατρέξτε στο κεφάλαιο 4 Συναρμολόγηση.

Καθαρισμός σε κλινικό περιβάλλον

Επιπρόσθετα του καθαρισμού που περιγράφηκε παραπάνω, συστήνεται ο καθαρισμός του προϊόντος πριν τη χρήση από άλλο ασθενή, μετά το τέλος του διαστήματος χρήσης ή σε τακτική βάση (ανάλογα με το ποιο προκύπτει πρώτο) στους

- 90 °C για 1 λεπτό
 - 85 °C για 3 λεπτά
 - 80 °C για 10 λεπτά
- σε κλίβανο αποστείρωσης.

**ΠΡΟΣΟΧΗ!****Κίνδυνος εγκαυμάτων στο δέρμα**

- Αφήστε το προϊόν να κρυώσει μετά τον καθαρισμό σε πλυντήριο ή κλίβανο αποστείρωσης.

Καθαρισμός καλύμματος πλάτης (επιλογή)

1. Αφαιρέστε το κάλυμμα πλάτης.
2. Πλύνετε σε πλυντήριο το κάλυμμα σε μέγιστη θερμοκρασία 60 °C με ήπιο απορρυπαντικό.

**ΣΗΜΑΝΤΙΚΟ!****Κίνδυνος βλάβης**

- Η πλύση σε υψηλότερες θερμοκρασίες μπορεί να προκαλέσει βλάβη.
- Μην στεγνώνετε σε στεγνωτήριο.

**ΣΗΜΑΝΤΙΚΟ!**

Ο υπερβολικός καθαρισμός μπορεί να προκαλέσει ζημιά στο ύφασμα.

– Συνιστάται η αντικατάσταση του καλύμματος πλάτης κάθε δύο έτη για λόγους υγιεινής.

Καθαρισμός ουροδοχείου (επιλογή)

Το ουροδοχείο μπορεί να καθαριστεί σε κλίβανο αποστείρωσης στις παρακάτω θερμοκρασίες/χρόνους:

- 90 °C για 1 λεπτό
- 85 °C για 3 λεπτά
- 80 °C για 10 λεπτά.

9 μετά από χρήση

9.1 Αποθήκευση



ΠΡΟΕΙΔΟΠΟΙΗΣΗ!

Κίνδυνος βλάβης του προϊόντος

- Αποθηκεύστε το προϊόν σε στεγνό χώρο.
- Μην αποθηκεύετε το προϊόν κοντά σε πηγές θερμότητας.
- Μην εκθέτετε το προϊόν σε άμεση ηλιακή ακτινοβολία.
- Ανατρέξτε στις συνθήκες αποθήκευσης και μεταφοράς στο κεφάλαιο *11.3 Περιβαλλοντικές παράμετροι, σελίδα 273*



Μετά από παρατεταμένη αποθήκευση, ενδέχεται να απαιτείται μεγαλύτερη δύναμη για την ενεργοποίηση του ελατηρίου αερίου (Ocean Dual VIP Ergo μόνο).

9.2 Επαναχρησιμοποίηση

Το προϊόν είναι κατάλληλο για επαναλαμβανόμενη χρήση. Ο αριθμός των επαναλήψεων χρήσης εξαρτάται από τη συχνότητα και τη μέθοδο χρήσης του προϊόντος. Πριν την εκ νέου χρήση, καθαρίστε και απολυμάνετε το προϊόν διεξοδικά (→ *8.2 Καθαρισμός και απολύμανση, σελίδα 265*) και ελέγξτε για ζημιές και ορθή συναρμολόγηση.

9.3 Απόρριψη

Διασφαλίστε περιβαλλοντικά υπεύθυνη συμπεριφορά και ανακυκλώστε τα διάφορα υλικά και εξαρτήματα του παρόντος προϊόντος ξεχωριστά μέσω της μονάδας ανακύκλωσής σας στο τέλος της ζωής του προϊόντος.

Η απόρριψη και ανακύκλωση των μεταχειρισμένων προϊόντων και της συσκευασίας πρέπει να εκτελούνται σε συμμόρφωση με τους ισχύοντες τοπικούς νόμους και κανονισμούς για τη διαχείριση απορριμμάτων κάθε χώρας. Επικοινωνήστε με την τοπική εταιρεία διαχείρισης απορριμμάτων για πληροφορίες.

10 Αντιμετώπιση προβλημάτων

10.1 Εντοπισμός και αποκατάσταση βλαβών



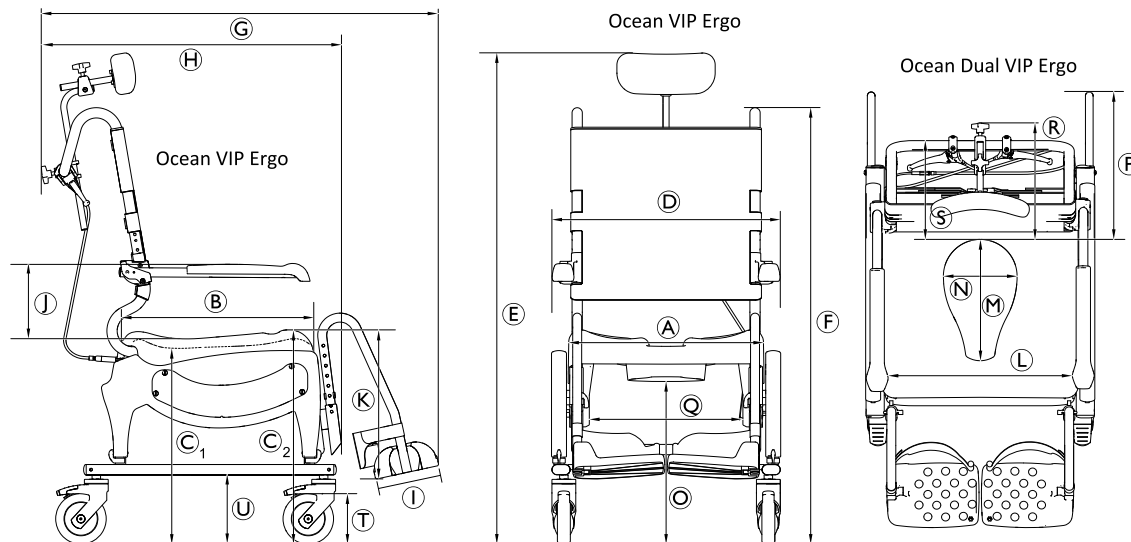
Ο παρακάτω πίνακας παρέχει πληροφορίες σχετικά με τις δυσλειτουργίες και τις πιθανές αιτίες τους. Εάν δεν μπορείτε να διορθώσετε τη λειτουργία με τις κατονομαζόμενες λύσεις, επικοινωνήστε άμεσα με τον προμηθευτή σας.

Βλάβη	Πιθανή αιτία	Λύση
Δυσκολία στη ρύθμιση του ύψους του καθίσματος	Ρύποι μεταξύ του πλαισίου καθίσματος και του πλευρικού μέρους	Αποσυναρμολογήστε το πλαίσιο βάσης και καθαρίστε το πλαίσιο βάσης και το πλευρικό τμήμα διεξοδικά
Δύσκολη ή αδύνατη περιστροφή των τροχών	Ρύποι μεταξύ της περόνης και της ζάντας	Καθαρίστε διεξοδικά τους τροχούς
Δυσκολία ώθησης των υποποδίων στο πλάι	Επικαθίσεις στους οδηγούς	Καθαρίστε διεξοδικά τα υποπόδια και τους οδηγούς
Το πλαίσιο βάσης με πλάτη δεν μπορεί να τεθεί σε κλίση	Επικαθίσεις στο μηχανισμό κλίσης	Αφαιρέστε το κάλυμμα φρένου και το κάλυμμα μοχλού φρένου και καθαρίστε διεξοδικά το μηχανισμό κλίσης
	Το καλώδιο Bowden δεν έχει ρυθμιστεί σωστά	Το καλώδιο Bowden πρέπει να ρυθμιστεί από εξειδικευμένο τεχνικό
Απαιτείται μεγάλη δύναμη για την ενεργοποίηση του ελατηρίου αερίου (Dual VIP)	Παρατεταμένη αποθήκευση	Επαναλάβετε την κλίση του καθίσματος πολλές φορές
Η πλάτη δεν μπορεί να τεθεί σε κλίση (Dual VIP)	Το καλώδιο Bowden δεν έχει ρυθμιστεί σωστά	Το καλώδιο Bowden πρέπει να ρυθμιστεί από εξειδικευμένο τεχνικό

Βλάβη	Πιθανή αιτία	Λύση
Κροτάλισμα κατά την κλίση του πλαισίου βάσης με πλάτη.	Το καλώδιο Bowden δεν έχει ρυθμιστεί σωστά	Το καλώδιο Bowden πρέπει να ρυθμιστεί από εξειδικευμένο τεχνικό
	Η λαβή ενεργοποίησης δεν έχει τραβηχτεί τελείως	Τραβήξτε πλήρως τη λαβή ενεργοποίησης.

11 Τεχνικά Δεδομένα

11.1 Διαστάσεις και βάρος



	Ocean VIP Ergo	Ocean VIP Ergo XL	Ocean Dual VIP Ergo
Α		480 mm	
Β		480 mm	
Γ ₁		475 mm – 600 mm	
Γ ₂		533 mm – 658 mm	
Δ	565 mm	645 mm	565 mm

	Ocean VIP Ergo	Ocean VIP Ergo XL	Ocean Dual VIP Ergo
Ⓔ	περίπου 1052 mm – 1340 mm (σε ουδέτερη θέση καθίσματος)		
Ⓕ	περίπου 1052 mm – 1202 mm (σε ουδέτερη θέση καθίσματος)		
Ⓖ	περίπου 1000 mm		
Ⓕ	περίπου 742 mm		
Ⓖ	160 mm		
Ⓖ	213 mm / 251 mm / 289 mm		
Ⓖ	319 mm – 469 mm (σε βήματα των 25 mm)		
Ⓖ	455 mm	535 mm	455 mm
Ⓖ	350 mm (κορυφή) / 300 mm (βάση)		
Ⓖ	250 mm (κορυφή) / 182 mm (βάση)		
Ⓖ	400 mm – 525 mm		
Ⓖ	—	—	380 mm
Ⓖ	385 mm		
Ⓖ	295 mm		—
Ⓖ	230 mm		—
Ⓖ	Æ 5" (127 mm)		
Ⓖ	172 mm		
Γωνία κλίσης καθίσματος	-5° – 40°		
Γωνία κλίσης πλάτης	—	—	5° – 35°
Διάμετρος στροφής	2200 mm		

	Ocean VIP Ergo	Ocean VIP Ergo XL	Ocean Dual VIP Ergo
Πλάτος οπισθοπορείας	1140 mm		1290 mm
Βάρος προϊόντος	23,5 κιλά	23,5 κιλά	28,3 κιλά
Μέγιστο βάρος χρήστη	150 κιλά		

11.2 Υλικά

Πλαίσιο	Ανοξείδωτος χάλυβας, με επίστρωση κόνεως
Βάση καθίσματος	Πολυπροπυλένιο, με ενίσχυση από υαλόνημα
Κάλυμμα πλάτης	Νάilon, με επίστρωση PVC
Υποπόδια	Πολυπροπυλένιο, με ενίσχυση από υαλόνημα
Επίθεμα υποβραχιόνιου	Πολυπροπυλένιο
Τροχοί	Πλαστικά και ανοξείδωτος χάλυβας

Όλα τα εξαρτήματα του προϊόντος είναι ανθεκτικά στη διάβρωση και δεν περιέχουν λάτεξ από φυσικό καουτσούκ.

11.3 Περιβαλλοντικές παράμετροι

Συνθήκες λειτουργίας	
Θερμοκρασία περιβάλλοντος	10 - 65 °C

Σχετική υγρασία	15 % - 93 %, χωρίς συμπύκνωση
Ατμοσφαιρική πίεση	795 - 1060 hPa
Συνθήκες αποθήκευσης και μεταφοράς	
Θερμοκρασία περιβάλλοντος	0 - 65 °C
Σχετική υγρασία	30 % - 75 %, χωρίς συμπύκνωση
Ατμοσφαιρική πίεση	795 - 1060 hPa

Invacare distributors:

Belgium & Luxemburg:

Invacare nv
Autobaan 22
B-8210 Loppem
Tel: (32) (0)50 83 10 10
Fax: (32) (0)50 83 10 11
belgium@invacare.com
www.invacare.be

France:

Invacare Poirier SAS
Route de St Roch
F-37230 Fondettes
Tel: (33) (0)2 47 62 64 66
Fax: (33) (0)2 47 42 12 24
contactfr@invacare.com
www.invacare.fr

Nederland:

Invacare BV
Galvanistraat 14-3
NL-6716 AE Ede
Tel: (31) (0)318 695 757
Fax: (31) (0)318 695 758
nederland@invacare.com
www.invacare.nl

Schweiz / Suisse / Svizzera:

Invacare AG
Benkenstrasse 260
CH-4108 Witterswil
Tel: (41) (0)61 487 70 80
Fax: (41) (0)61 487 70 81
switzerland@invacare.com
www.invacare.ch

Deutschland:

Invacare GmbH,
Alemannenstraße 10
D-88316 Isny
Tel: (49) (0)7562 700 0
Fax: (49) (0)7562 700 66
kontakt@invacare.com
www.invacare.de

Ireland:

Invacare Ireland Ltd,
Unit 5 Seatown Business Campus
Seatown Road, Swords, County Dublin
Tel : (353) 1 810 7084
Fax: (353) 1 810 7085
ireland@invacare.com
www.invacare.ie

Österreich:

Invacare Austria GmbH
Herzog-Odilo-Straße 101
A-5310 Mondsee-Tiefgraben
Tel: (43) 6232 5535 0
Fax: (43) 6232 5535 4
info-austria@invacare.com
www.invacare.at

United Kingdom:

Invacare Limited
Pencoed Technology Park, Pencoed
Bridgend CF35 5AQ
Tel: (44) (0) 1656 776 222
Fax: (44) (0) 1656 776 220
uk@invacare.com
www.invacare.co.uk

España:

Invacare SA
c/Areny s/n, Poligon Industrial de Celrà
E-17460 Celrà (Girona)
Tel: (34) (0)972 49 32 00
Fax: (34) (0)972 49 32 20
contactsp@invacare.com
www.invacare.es

Italia:

Invacare Mecc San s.r.l.,
Via dei Pini 62,
I-36016 Thiene (VI)
Tel: (39) 0445 38 00 59
Fax: (39) 0445 38 00 34
italia@invacare.com
www.invacare.it

Portugal:

Invacare Lda
Rua Estrada Velha, 949
P-4465-784 Leça do Balio
Tel: (351) (0)225 1059 46/47
Fax: (351) (0)225 1057 39
portugal@invacare.com
www.invacare.pt

USA:

Clarke Health Care Products
7830 Steubenville Pike
Oakdale, PA 15071, USA
Toll Free: (888) 347-4537
Phone: (724) 695-2122
Fax: (724) 695-2922
info@clarkehealthcare.com
www.clarkehealthcare.com

Canada:

Invacare Canada L.P.
570 Matheson Blvd East, Unit 8
CDN Mississauga, On. L4Z 4G4
Phone: (905) 890 8300
Toll Free: 800.668.5324
www.invacare.ca

Australia:

Invacare Australia Pty. Ltd.
1 Lenton Place, North Rocks NSW 2151
Australia
Phone: 1800 460 460
Fax: 1800 814 367
orders@invacare.com.au
www.invacare.com.au

New Zealand:

Invacare New Zealand Ltd
4 Westfield Place, Mt Wellington 1060
New Zealand
Phone: 0800 468 222
Fax: 0800 807 788
sales@invacare.co.nz
www.invacare.co.nz



Aquatec Operations GmbH
Alemannenstraße 10
D-88316 Isny
Germany



1639504-C 2019-01-30



Making Life's Experiences Possible®

AQUATEC®



Yes, you can.®