



Catalogue
FOOD SERVICE
Chapter
DISHWASHING

Specific model
CO-402 COLD B DD 220-240V 1N 50Hz

19075254

08/11/2021

DENOMINATION:

Glasswasher with electronic control for 400 mm basket with cold rinse, built-in drain pump and detergent doser

DESCRIPTION :

- Front-loading glass washers - EVO Generation.
- Constructed in stainless steel.
- Door with double wall.
- Double rotating wash and rinse system, top and bottom, in stainless steel.
- Rounded tank to facilitate washing and drainage.
- Stainless steel armoured heating elements in the wash tank and rinse boiler.
- Thermostatic control of temperatures (wash, 60°C, and rinse, 85°C).
- Safety thermostat
- Rinse aid doser incorporated.
- Fitted with non-return valve.
- 260 W wash pump
- Water consumption per 2.2 litre cycle.
- Magnetic safety stop switch in door opening.
- IPX4 anti-humidity protection.
- Model with electronic control and display of temperature, functions and errors.
- Electronic programmer with help system for technical service.
- Model for 400 x 400 mm baskets.
- 90s - 120s – 180s wash cycles and maximum production of 40 baskets/hour.
- Useful internal height of 270 mm.
- Tank with volume of 15 litres, with 2 kW heating element.
- Boiler with volume of 4 litres, with 2.8 kW heating element.
- Thermal stop system which guarantees a rinse temperature of 85°C.
- Standard factory setting disabled.
- Push button for an optional cold rinse at the end of the cycle.
- Built-in drain pump - power 30 W - Drainage cycle
- Built-in detergent doser

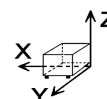
POSSIBLE ACCESSORIES :

- STANDS
- BASKETS FOR DISHWASHERS
- WATER SOFTENERS

SUPPLIED ACCESSORIES:

- 19000792 Cutlery container 1
- 19082432 Standard basket 400 x 400 2
- 19084452 Plates supplement 400 1

DIMENSIONS



| | | | |
|------------|----------|----------------|----------|
| X Width | 470 mm | X Gross width | 530 mm |
| Y Depth | 520 mm | Y Gross depth | 680 mm |
| Z Height | 720 mm | Z Gross height | 890 mm |
| Net Weight | 35,0 kg | Gross Weight | 40,0 kg |
| Net volume | 0,176 m3 | Gross volume | 0,321 m3 |

ELECTRICITY TECHNICAL SPECIFICATIONS

| | |
|--------------------|---------------|
| Engine power | 0,26 kW |
| Electric power | 3,060 kW |
| Amperage (A) | 13,3 |
| Heating power | 2,80 kW |
| Voltage | 220-240V - 1N |
| Electric frequency | 50Hz |

WATER TECHNICAL SPECIFICATIONS

| | |
|-----------------------|-------------------------|
| Pressure | H2O: 200-400kPa(2-4bar) |
| Water max consumption | 50,00 L/h |

CONNECTIONS TECHNICAL SPECIFICATIONS

| | |
|--------------------------|----------------|
| Single-phase 230V wiring | 2X2,5+T - 20 A |
| Drain 1 diameter | 2" |

OTHERS

| | |
|-------------|----------|
| Noise level | 62,00 dB |
|-------------|----------|





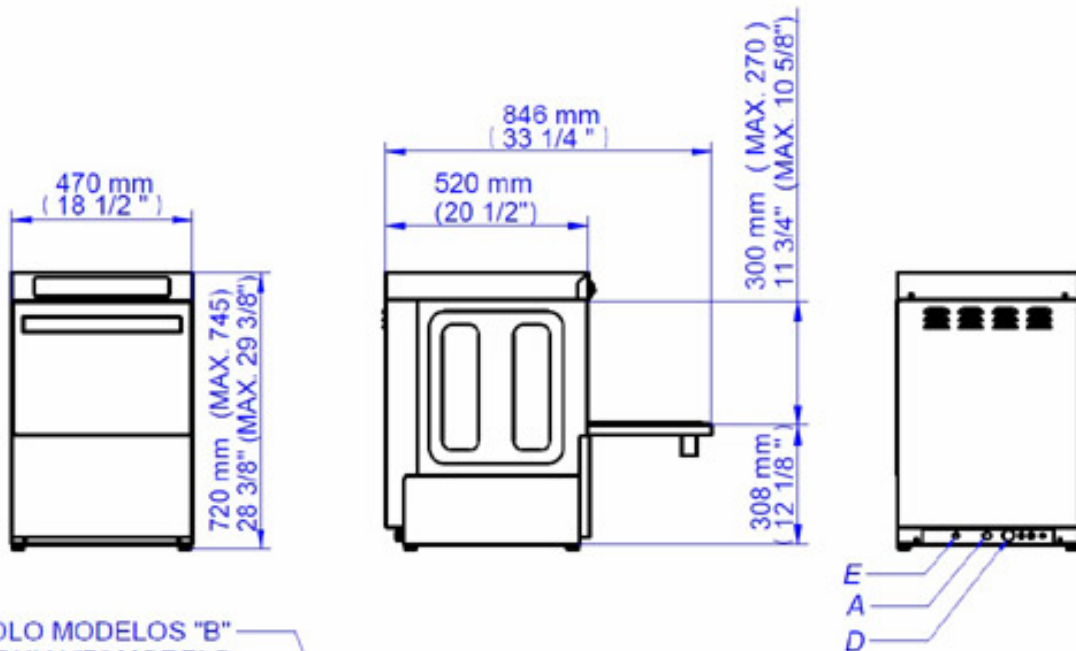
Catalogue
FOOD SERVICE

Capítulo
DISHWASHING

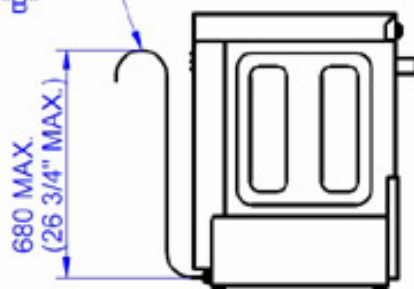
Modelo
CO-402 COLD B DD 220-240V 1N 50Hz

19075254

08/11/2021



SOLO MODELOS "B"
ONLY "B" MODELS
SEULEMENT MODÈLES "B"



A: ENTRADA DE AGUA
E: ALIMENTACIÓN ELÉCTRICA
D: DESAGÜE

A: WATER INLET
E: ELECTRICAL CONNECTION
D: DRAIN

A: ARRIVÉE D'EAU
E: CONNEXION ÉLECTRIQUE
D: VIDANGE