

Dado Double Round



AS.1428
Compliant



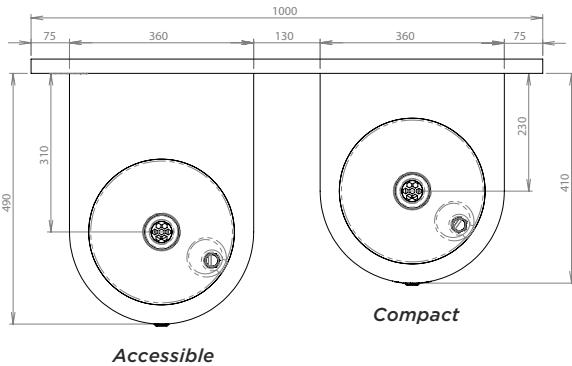
DDR2

Product Info:

- Incorporates both accessible and compact fountains
- Accessible fountain = AS1428 compliant
- Front push, timed flow bubblers
- 40mm wastes and stainless wall bracket
- Optional bottle filler taps
- Optional remote refrigeration unit
- Commercial grade 304 S.S.

To order this item please advise:

- Ambient or refrigerated water
- If bottle filler taps are required (TW-BF-HF)
- Replacement Battery Pack for Activation Button (74-08-0106)



INSTALLATION NOTES

1) Fixture strength is ultimately determined by the load capacity of the supporting structure (noggins recommended for stud walls) and use of appropriate fixings (i.e. sleeve anchors for masonry walls). **2)** Fountain is secured to wall at the top of the splashback with an offset bracket (supplied) and with an L-shaped, angle bracket (supplied) concealed behind the bottom of the splashback. **3)** Traps and fixings (other than wall bracket) not supplied. **4)** Water connections to 1/2" solenoids: min = 150kPa, max = 500kPa. **5)** An in-line filter to prevent debris fouling solenoids is recommended.

Refrigerated model: **1)** supplied with remote chiller to be installed in wall cavity behind fountain. **2)** 10 amp standard power outlet required. **3)** Single water connection to chiller is 1/2" female BSP, min = 250kPa, max = 500kPa.

