

Bertrand Puma Auto Volumetric Divider

Description

Precision machinery manufactured by a precision company.

The machines of this range are automatic dough dividers with manually or automatically closing hopper.

The Bertrand Puma range is composed 4 models :

- HT 2100 : Fixed output
- HT 2200 : Fixed output
- HT 2100A : Adjustable output
- HT 2200A : Adjustable output

Usage

Machines of the Bertrand Puma dough divider range are designed for bakery and pastry applications, which excludes all other types of use.

The use of an automatic dough divider allows the division of different dough types, respecting the dough.

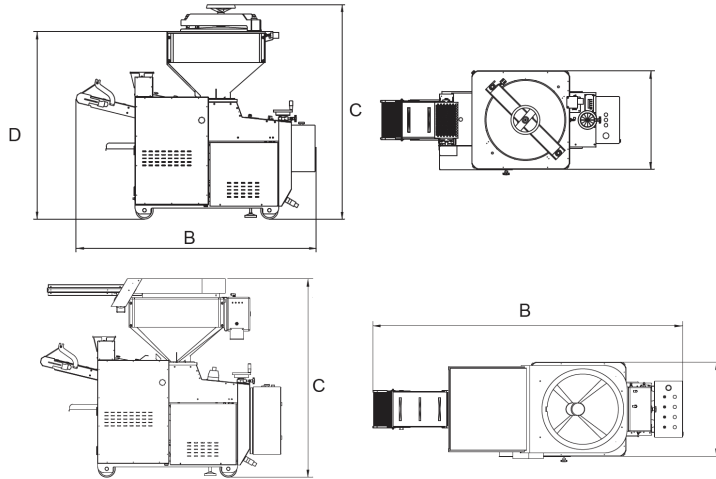
Construction

- The volumetric dividing is assured by a bronze piston.
- The welded meccano frame is very strong and mounted of castors.
- The hopper is of coated steel (inside) and has a standard capacity of 160 kg dough.
- The manual cover is made of a metallic plate which is fixed by a tight stirrup by a hand wheel.
- The automatic cover is a motorized sliding trap, waterproofing between the cover and the hopper is assured by an inflatable joint.
- The flour duster is a driven brush by the main motor of the machine.



Bertrand Puma Auto Volumetric Divider

Bertrand Puma Auto Volumetric Divider Specifications



Model	HT2100M		HT2100A		HT2200M		HT2200A	
Electric Supply	400V / TRI+T+N / 50-60Hz							
Power (Kw)	1.5		1.5		1.5		1.5	
Rated current (A)	3.7		3.7		6.4		6.4	
Piston diameter (mm)	90	110	90	110	90	110	90	110
Dough pieces weight (g)	150-700	200-1000	150-700	200-1200	150-700	200-1000	150-700	200-1200
Hopper Capacity (Kg)	210		210		210		210	
Output (pieces/h)	900, 1200, 1500, 1800				730/1150, 920/1500, 1230/1800, 1390/2200			
A - Width (mm)	840		840		840		840	
B - Depth (mm)	2056		2125		2056		2125	
C - Height (mm)	1833		1768		1833		1768	
D - Input height (mm)	1602		1768		1602		1768	
Maximum overall width (mm)	840		840		840		840	
Maximum overall depth (mm)	2735		2735		2735		2735	
Maximum overall height (mm)	1833		1768		1833		1768	
Weight (kg)	630		715		630		715	

OPTIONS AND ACCESSORIES: The automatic dough divider « HT » can have a short or long outfeed belt, or an incorporated belt rounder which allows a great flexibility of installation. • Long outfeed belt with flour duster (added value) : 1,6 m (standard short belt = 1,1 m) • Belt rounder (with added value) • Compressor (option)