

OPERATE HIGH

& LOW



New, smarter Practico

Designed to improve ergonomics with the industry's widest range of posture possibilities. Powered by smart controls that help you work more fluently. Health Technology with a Human Touch.

Overview: Surgical table for elective procedures

SUPER HIGH AND SUPER LOW

Improved ergonomics. Three different models, with motorized leg sections as an option. Superior safety with the extreme low mobile table top.

HIGH SWL

Stronger than ever. The new smarter Practico has improved safe working load and width extenders to help you to treat every patient regardless of their size and shape.

STREAMLINED DESIGN

Human-centric design at its best. Perfect C-arm access. Easy to keep clean even in the busiest patient flow situations. No mechanical pedals.

Smart features

The new smarter Practico is easy and intuitive to use. The user interface is similar to other Merivaara's products and can be connected to Merivaara's OpenOR™ integrated operating room management system.

Smart features also include Anti-collision system including sensed base cover and smart software boundaries. Smart movements are achieved by single button movement compensations and ergonomic positioning with multiple motor drive.



ANTI-COLLISION

Table's smart control system recognizes potential mechanical collision situations during operation and stops the movement immediately.



ERGONOMIC POSITIONING

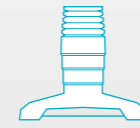
Driving the table towards memory- or 0-position is very smooth to the patient thanks to simultaneous drive of several electronically adjusted movements.

SMART COMPENSATIONS

Control system automatically performs correct compensative movements to allow desired, but restricted table movement. An audible signal will be heard during compensation movement.

Modularity for a wide variety of surgical procedures

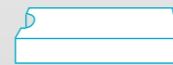
Advanced construction: Motorized leg sections



LIFTING COLUMN OPTIONS

- Max High: 640–1130 mm
- Max Low: 540–1030 mm
- General: 585–885 mm

Dimensions are for slide version.
Non-slide version is appr. 10 mm higher



SEAT SECTION

- With or without slide
- With or without motorized leg section joints



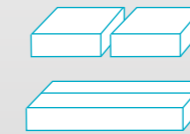
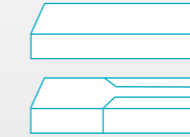
HEAD SECTIONS

- Standard head sections for standard back section
- Optional head sections for beach-chair and eye-ENT back sections



BACK SECTION MODELS

- Standard
- Kidney bridge
- Eye-ENT
- Beach chair



LEG SECTIONS

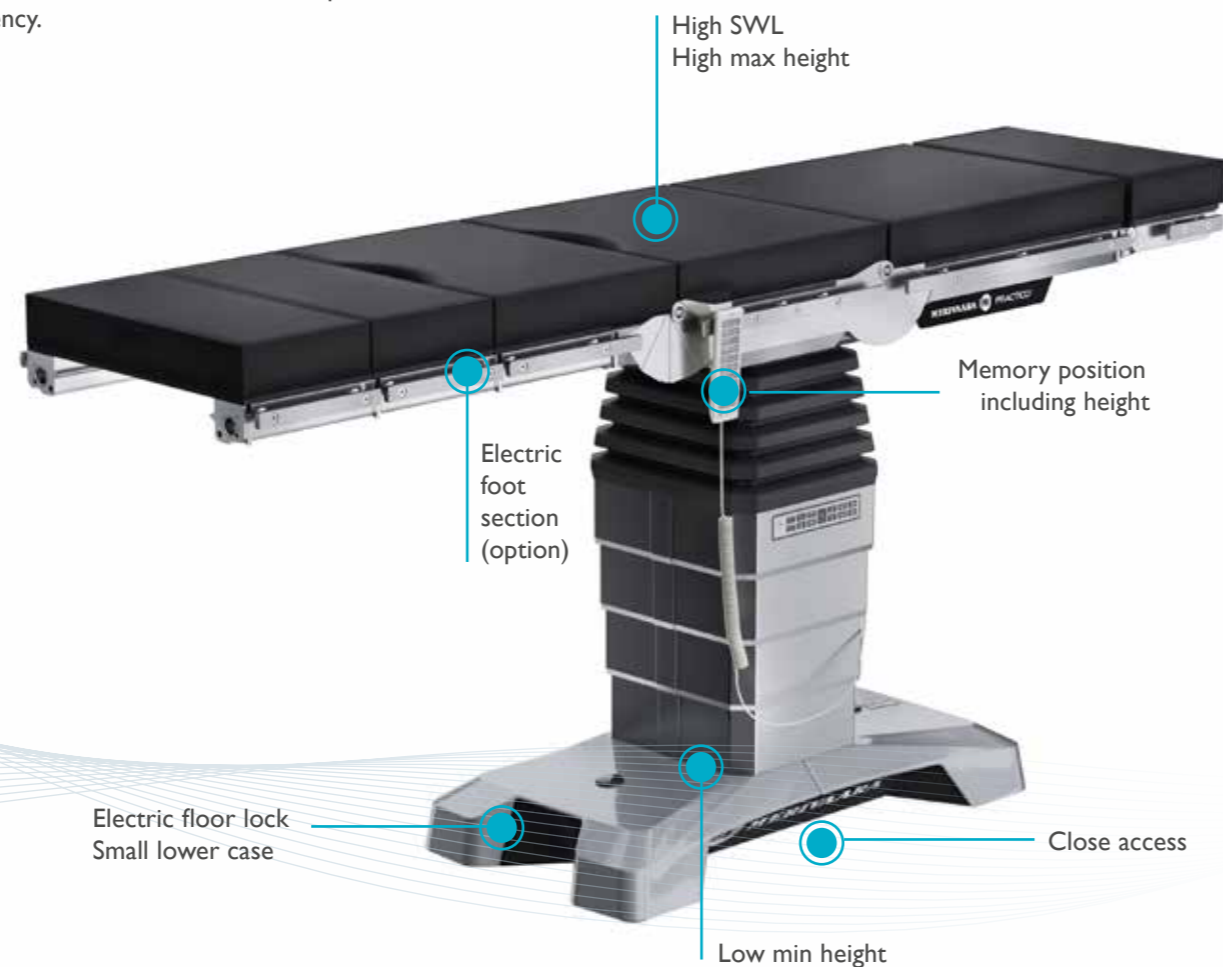
- Divided leg section double joint short
- Divided leg section, 4 sectional
- 25-section and 40-section
- 25-gyn/uro section
- Leg section, one-piece
- Divided leg section, gas spring assisted, short
- Divided leg section, gas spring assisted, long
- Light leg sections for motorized and non-motorized legs
- Light weight foot rest

General construction: Non-motorized leg sections



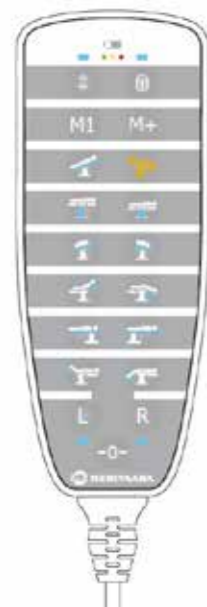
Work smarter

New and improved features let you focus on the task in hand while superior ergonomic design improves the comfort of the whole surgical team. Comfort leads to concentration, confidence and better co-operation. That's efficiency.



Hand control

Smarter Practico hand control follows Fluent design with its intuitive and easy-to-use user interface and simplified design. Even in the darkest environment the buttons are easily recognizable.



Technical specifications

Practico 145000	Slide and motorized leg sections	No Slide, motorized leg sections	Slide, No motorized leg sections	No Slide, No motorized leg sections
Trendelenburg angle (degrees)	+ / - 30	+ / - 30	+ / - 30	+ / - 30
Tilt angle (degrees)	+ / - 20	+ / - 20	+ / - 20	+ / - 20
Slide (mm/inch)	390 / 15,6"	-	390 / 15,6"	-
Back section angle (degrees)	+ 70 / - 40	+ 70 / - 40	+ 70 / - 40	+ 70 / - 40
Motorized leg sections angle (degrees)	+ 70 / - 105	+ 70 / - 105	-	-
Non-motorized leg sections angles (degrees)	-	-	+ 20 / - 90	+ 20 / - 90
Practico Max Lo height (mm/inch)	540-1030 / 21,3"-40,6"	553-1043 / 21,8"-41,1"	540-1030 / 21,3"-40,6"	553-1043 / 21,8"-41,1"
Practico Max Hi height (mm/inch)	640-1130 / 25,2"-44,5"	653-1143 / 25,7"-45"	640-1130 / 25,2"-44,5"	653-1143 / 25,7"-45"
Practico General height (mm/inch)	585-885 / 23"-34,8"	598-898 / 23,5"-35,4"	585-885 / 23"-34,8"	598-898 / 23,5"-35,4"
Table top width (mm/inch)	540 / 21,3"	540 / 21,3"	540 / 21,3"	540 / 21,3"
Number of table top sections	4-6	4-6	4-6	4-6
Mechanical strength, IEC 60601-2-46	616 kg / 1358 lbs	616 kg / 1358 lbs	616 kg / 1358 lbs	616 kg / 1358 lbs
Lifting capacity	400 kg / 881,8 lbs	400 kg / 881,8 lbs	400 kg / 881,8 lbs	400 kg / 881,8 lbs
Number of memory positions	1	1	1	1
Fifth wheel option	✓	✓	✓	✓
IR compability with Open OR	✓	✓	✓	✓
Mattress type	VEF 80 mm	VEF 80 mm	VEF 80 mm	VEF 80 mm
Electrical brakes	✓	✓	✓	✓
Battery operated (Li ion)	✓	✓	✓	✓
Standard back section compatibility	✓	✓	✓	✓
Beach chair back section compatibility	-	✓	-	✓
Eye-ENT back section compatibility	✓	✓	✓	✓
Kidney-bridge back section compatibility	✓	✓	✓	✓

✓ = included
- = not available



Read more about
smarter Practico

smarterpractico.com



Merivaara Corp.
FI-15150 Lahti, FINLAND
Tel. +358 3 3394 611
merivaara@merivaara.com

www.merivaara.com

The status of the information, specifications and illustrations in this publication is indicated by the date of publication. Whilst the greatest care has been taken over its compilation, Merivaara Corp. is not responsible for any errors or omissions. Merivaara Corp. reserves the right to make changes to the technology, features, specifications and design of the equipment and models without notice. Please check the Merivaara website for the latest updated specifications and other information.

All trademarks are the property of Merivaara unless otherwise stated. Patents granted or pending.

© Merivaara Corp. DOC ID: 6121EN-4. Date 08/2019

