

5000KG
Max. Capacity

5100MM
Max Length

Wheel Free Lift
BWF Type

Reversed Tracks
C type



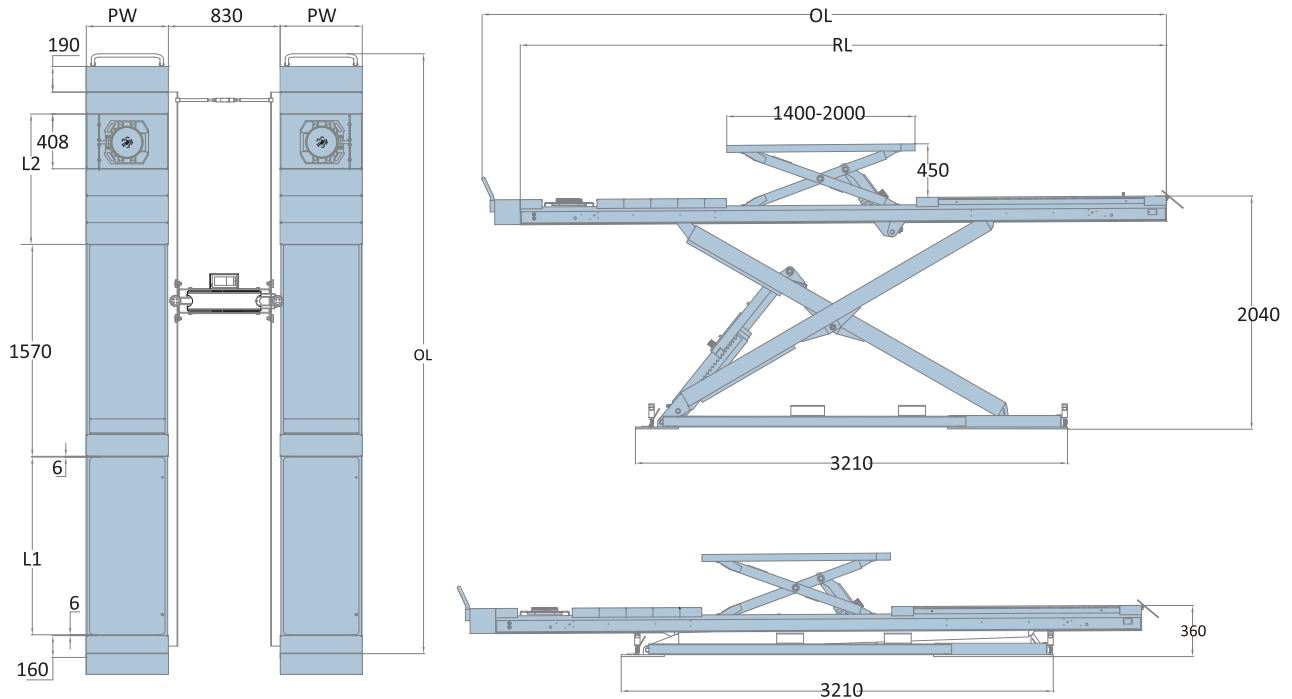
MAIN FEATURES

- 4200/5000Kg lifting capacity;
- Electrical or manual levelling.
- Recessed mount or surface mount with optional drive-on ramps.
- Long slip plate and adjustable turntable positions accommodate different kinds of wheelbases.
- Pneumatic locking system
- The great planeness of runways is perfect for high accurate wheel aligning.
- Driving-on ramps with polymer rollers.
- Reserved tracks on platforms fit for optional rolling jacks.(C Type)
- 24V safe control system.
- Self-lubricated bushing and bearing.
- The buzzer alarms when platforms lowered to 400mm above ground.
- Aluminum motor with fan on top to avoid overheating caused by long time working.
- It has been proofed by dynamic test with 115% of rated capacity and static test with 150% capacity.
- Installation and Operation Manual and Labels in Chinese, English, Spanish, German, French, Russian, Swedish (Other Languages Available Upon Request)

TECHNICAL DATA

MODEL NO.	EE-6603
Lifting capacity	4,200Kg/5,000Kg
Max lifting height	2,040mm
Min height	360mm
Lifting time	50s
Capacity of motor	2.2KW/3.0KW/3.5KW
Air supply	6~8Kg/cm ²
Platform width	610mm
Weight	2258Kg
Electricity supply	220/230/240/380/400/415V 3PH

OVERALL DIMENSION



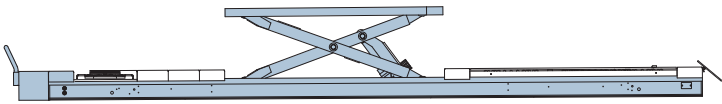
Type C Reserved tracks for optional rolling jack



S Flat platforms



B Platforms with front recesses and rear slip plates



B.WF Platforms with front recesses, rear slip plates, and wheel free lifts

TECHNICAL DATA

Model	Capacity	PW	RL	OL	L1	L2	Length of Central Jack
EE-6603S SERIES:							
EE-6603S.42L	4,200KG	610	4,200	4,442	N/A	N/A	N/A
EE-6603S.48L			4,800	5,042			
EE-6603S.51L	5,000KG		5,100	5,342			
EE-6603B SERIES:							
EE-6603B.42L	4,200KG	610	4,200	4,442	1,320	970	N/A
EE-6603B.48L			4,800	5,042	1,520	1370	
EE-6603B.51L	5,000KG		5,100	5,342		1570	
EE-6603BWF SERIES:							
EE-6603BWF.42L	4,200KG	610	4,200	4,442	1,320	970	1,400-2,000
EE-6603BWF.48L			4,800	5,042	1,520	1,370	
EE-6603BWF.51L	5,000KG		5,100	5,342		1,570	