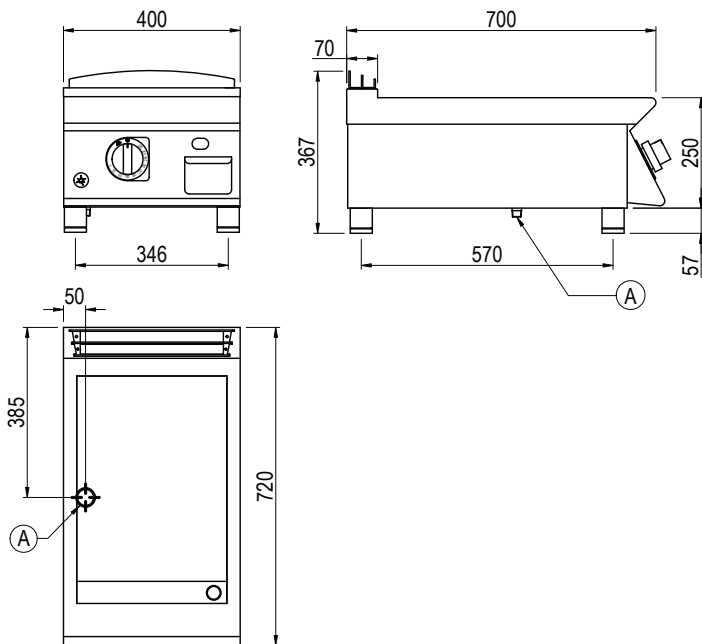




**Product Information:**

- Class leading, European style, professional quality and reliability since 1963
- 700 series, gas frytop with 15mm smooth satin chrome plate (25 MJ/h)  
(also available in 15mm ribbed satin chrome plate)
- Satin chrome plate delivers a cost effective, highly durable, faster heating and easier cleaning solution than alternative plates
- Piezo ignition burners with flame failure device and pilot burner complete with Hi-limit temperature protection
- Temperature regulation via thermostat (90°C – 280°C)
- Robust 304 grade stainless steel construction with rounded corners for improved cleaning
- Hermetically sealed, pressed work surface with raised edges to protect from overflow
- Removable grease tray
- 24-month warranty

**General Drawing:**



**Specifications:**

Model - Smooth	FLG72TCRXT	
Model - Ribbed	FRG72TCRXT	
W x D x H (mm)	400 x 720 x 367	
Weight	50kg	
Cooktop (mm)	340 x 460	
Packed Dimensions (mm)	450 x 825 x 570	
Packed Weight (mm)	55kg	
	Natural	Universal LPG
Gas Connection	1/2" BSP	1/2" BSP
Minimum Normal Test Gas Pressure	1.3 kPa	2.75 kPa
Maximum Normal Test Gas Pressure	3.5 kPa	3.5 kPa
Nominal Test Point Pressure	1.0 kPa	2.65 kPa
Total Nominal Gas Consumption	25 MJ/h	25 MJ/h

**Note:** It is the responsibility of the installing gas plumber to ensure correct supply and connection sustaining appropriate pressure, when all installed gas appliances are operating at maximum.

**Legend:**

A Gas Connection