

Toilet Suite



WELS REG#
P Trap: L06721
S Trap: L06720



Scan QR code
to view our
installation notes



PTS

Product Info:

- Highly vandal resistant
- Supplied pre-plumbed (cistern to pan)
- Available with Grandeur or Centurion pan
- Safety radius front edge on pan
- Double-skinned, tamper-resistant cistern casing
- Available with added seat (see pg 60 for options)

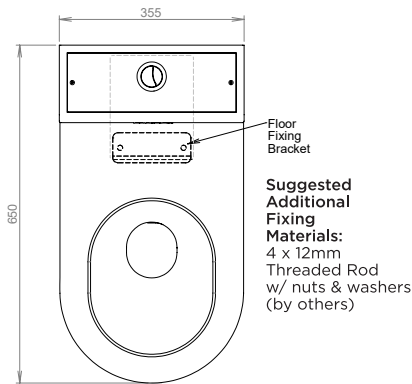
To order this item please advise:

- PTSGP = Grandeur Pan, P Trap
- PTSGS = Grandeur Pan, S Trap
- PTSCP = Centurion Pan, P Trap
- PTSCS = Centurion Pan, S Trap

NB: Seat not fitted as standard.

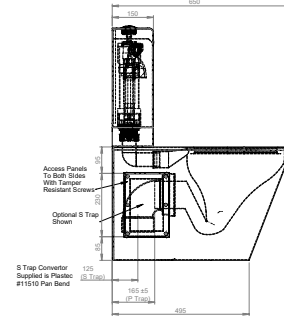
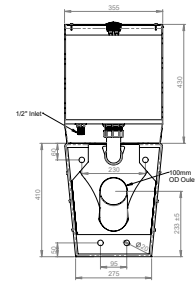
If required, please advise.

Please refer to pg 60 for seat details.

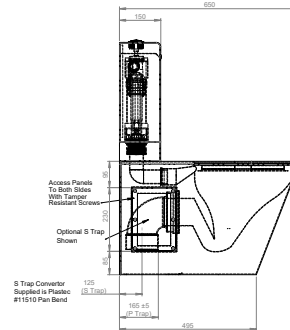
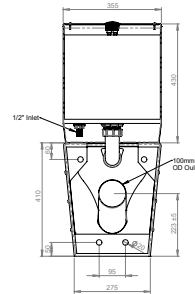


INSTALLATION NOTES

1) Pan is anchored to floor with an offset bracket (supplied). 2) Pan is secured to rear wall via 4 fixing holes integral to pan body. 3) Suggested fixings required for fixing to wall are 4pcs of 12mm dia. threaded rods with nuts and washers (not supplied). 4) Concealed fixings can be accessed by removing panels on sides of toilet pan. 5) Access panel screws are hex head type only. 6) Pan should be sealed around perimeter after installation is completed. 7) A mini-stop can be installed on rear wall within the confines of the suite at approx. 8) 250mm above FFL and 100mm from centre of pan outlet, then connection from mini-stop to 15mm cistern inlet by flexible connector.



PTSC



PTSG



Due to ongoing research and our commitment to product development, details are subject to change without notice. Details accurate at time of print

Please refer to britex.com.au for the most current product information. Allow +/- 5mm tolerance for dimensions and setouts shown in product literature.