

Installation Guide

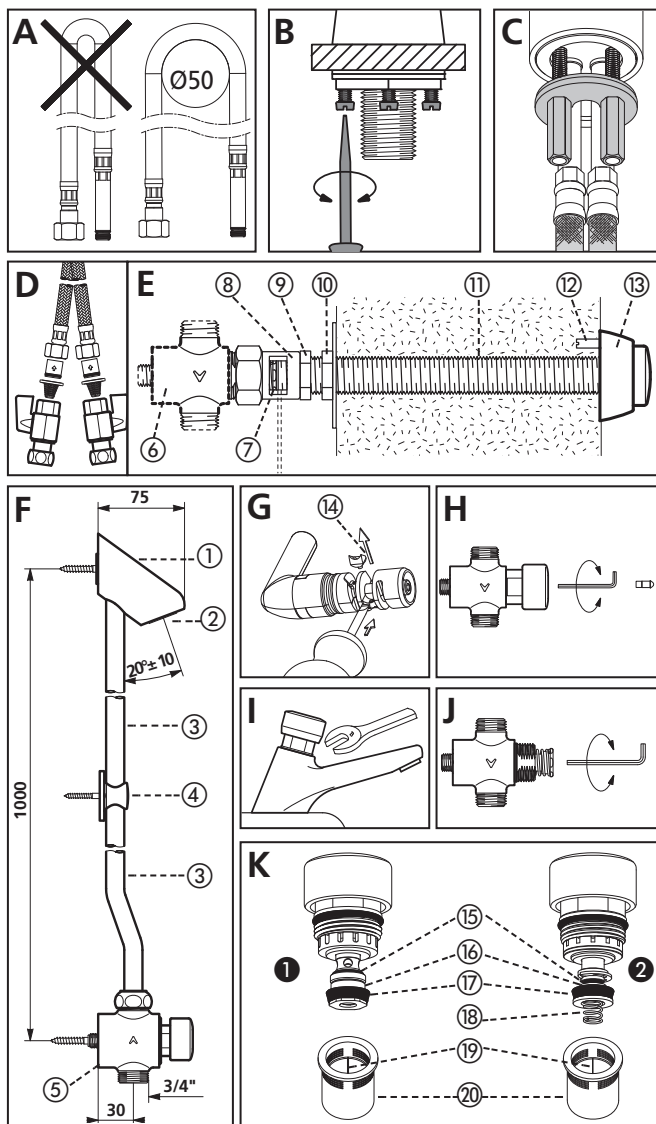
Product Code:

TW-9101

Product Name:

Eco Timed Flow Pillar Tap - Cold

European made, anti-vandal timed flow pillar taps supplied for use in conjunction with BRITEX troughs, basins and sinks. Highly vandal resistant and water efficient. Ideal for public spaces and education facilities.



OPERATION

EN

- Valve opens by pressing on the push-button or pushing the lever.
AB Model: valve opens by pressing then releasing the push-button.
- Mixer: temperature selection by the side lever.
- Automatic shut-off after ~7 seconds for washbasins, ~3 seconds or 7 seconds for urinals (depending on the model), and ~30 seconds for showers (+5/-10 at 3 bar according to the European Standard EN-NF 816).
(Other shut-off delays: TEMPOSTOP swan neck ~3 seconds, TEMPOSTOP chain-pull shower and TEMPOSTOP shower 1/2" ~15 seconds).

INSTALLATION

- Tap: supply with cold water (insert the blue or grey marker) or mixed water (insert the red marker).
- Mixer: supply with cold water and hot water at 50°C (maximum recommended 70°C), and balance hot and cold water pressure ($\Delta P < 1$ bar). Maximum pressure: 10 bar. Recommended dynamic pressure: 1 - 5 bar. Take care not to pinch the flexibles (Fig. A).
- Respect the direction of the water flow, see arrow marked on the valve body.

Deck-mounted washbasin model

- Drill hole diameter: \varnothing 21mm for taps or \varnothing 34mm for mixers.
- Mount the mixer/tap body onto the washbasin and tighten the nuts:
 - Model with back-nut: tighten the 3 stainless steel screws on the back-nut (Fig. B).
 - Mixer: tighten the nuts (Fig. C) onto the fixing flange. Install the filters (Fig. D) supplied as shown in the diagram. They will protect the non-return valves.
- Ensure a suitable waterproof seal between the mixer/tap and the work plan appropriate to the type of installation.
- Connect the water supply and activate the valve several times to stabilise the timing.