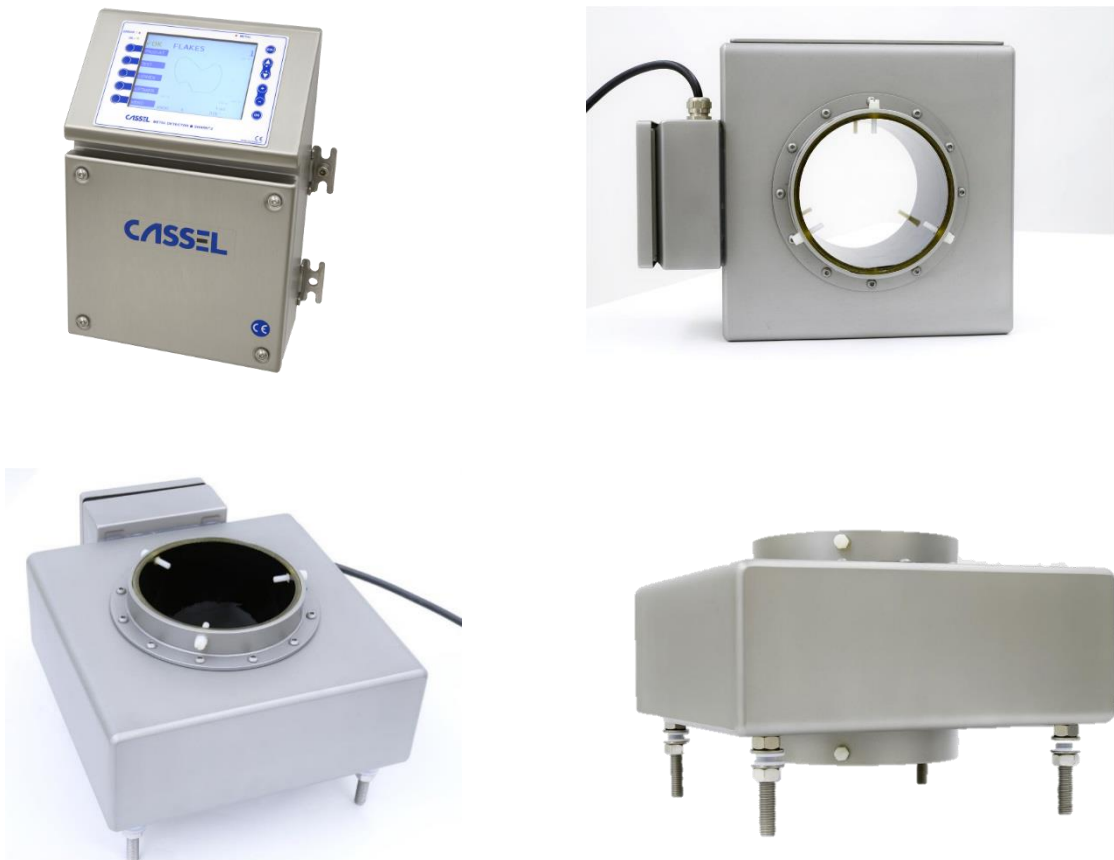


Free Fall Metal Detector

SHARK 2A GF-TD-R 0180

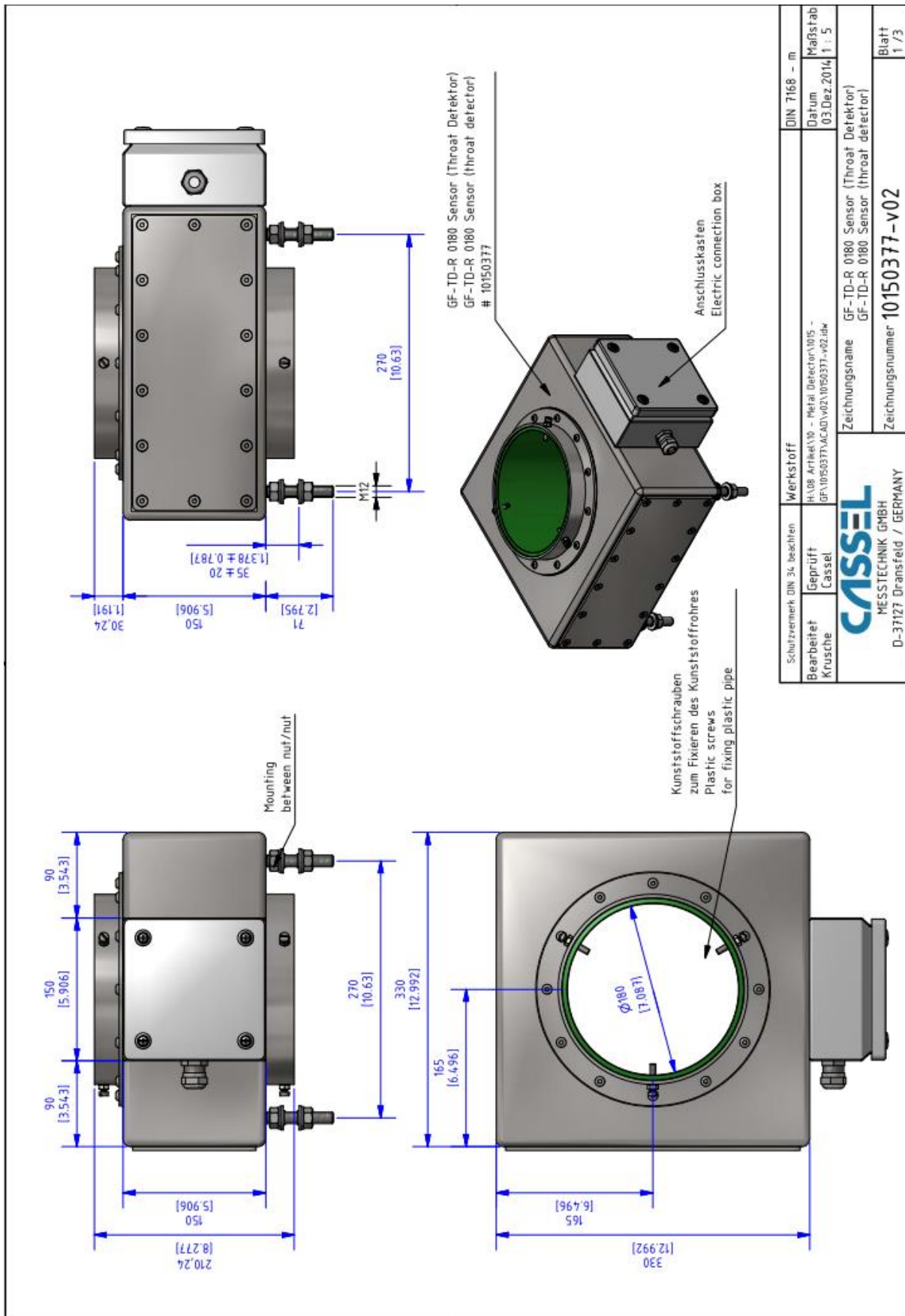
Specifications	
Model	METAL SHARK® 2
Control Electronics	Digital signal processor, digital noise filter, digital balance control, digital frequency control with synthesizer, Power-Drive-Transmitter-Circuit, suitable with multi-frequency sensors, powerful graphics processing unit
Input Signals	8 free configurable, 24 V DC, e.g.: reject confirmation, air pressure monitor, conveyor belt control
Output Signals	2 potential free: Metal and Error 8 free configurable, 24 V DC, e.g.: pusher magnetic valve, optic/acoustic alarm
Measuring Method	Inductive; multi channel operation, balanced receiver coils
Metal Detection	Ferrous, non-ferrous (e.g. aluminum or copper) and stainless steel
Product Compensation	120 storage spaces, compensation performed automatically, with Teach-Assistant
Protection Type	IP65; with Option LPW: IP66; with Option HPW: IP67
Environment	Standard: temp. -10°C to +40°C, rel. humidity 30 to 85% not condensing; Options: -40°C or +55°C
Product Temperature	-30°C to +60°C, Option: -40°C to +120°C
Power Supply	Single-Phase 110 - 240 VAC, 50/60 Hz, fuse 10 A (slow), typ. power consumption 20W, max. 60W
Interfaces	RS232, USB, optional Ethernet and WLAN for HACCP- and IFS-documentation
Maintenance	Maintenance-free, sensor calibrates itself automatically and continuously
Diagnosis	Integrated diagnostic software, automatic selftest
Best possible sensitivities:	Fe 1.2 NFe 1.5 SS 1.7 Ø mm @ 300kHz:
ATEX:	Zone 22 (EN1127-1) category II 3D T3

Photos:

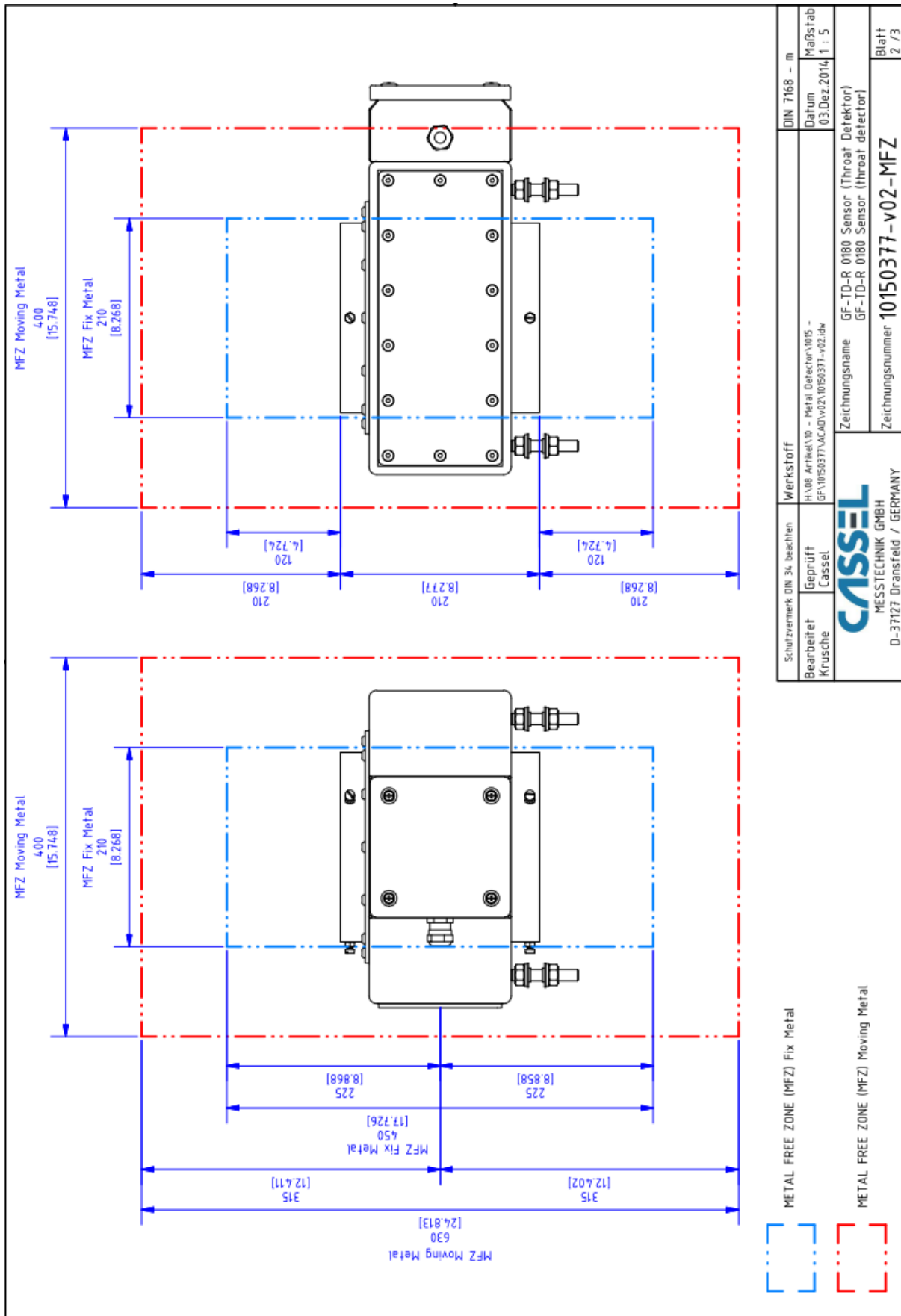




Free Fall Metal Detector



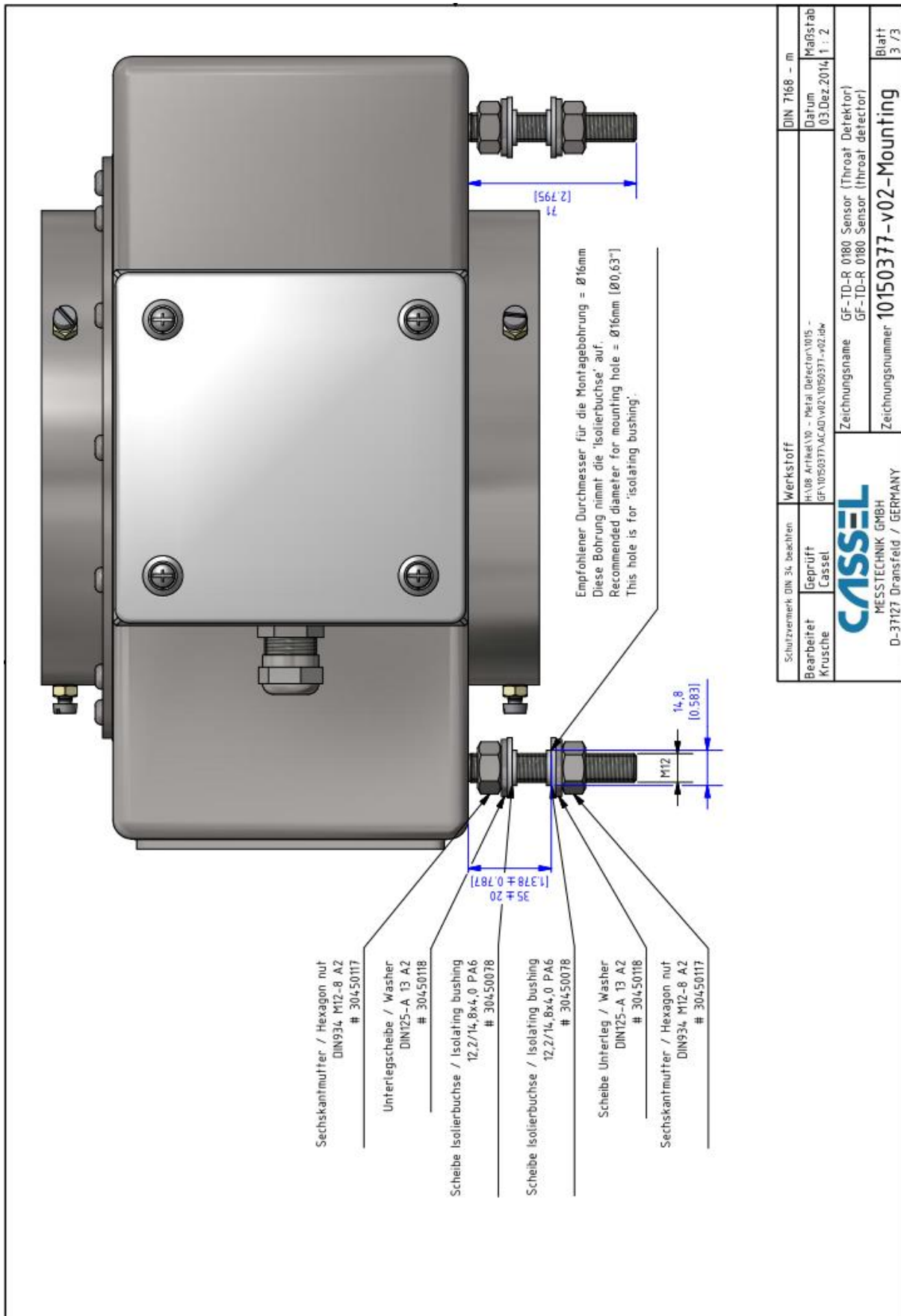
Free Fall Metal Detector



Schutzzeichnung DIN 3d beachten Bearbeiter Krüschke Geprüft Cassel	Werkstoff H1.08 Artikel/V0 - Metal Detector/1015 - GFV1050377-ACAD/V02/10150377-v02.idw Zeichnungsname GF-TD-R 0180 Sensor (Throat Detektor) GF-TD-R 0180 Sensor (throat detector)	DIN 7168 - m Datum 03.Dez.2014 Maßstab 1 : 5
<b>CASSEL</b> MESSTECHNIK GMBH D-37127 Dransfeld / GERMANY		Zeichnungsnummer <b>10150377-v02-MFZ</b> Blatt 2 / 3



Free Fall Metal Detector



Schutzzeichnerk. DIN 34 beachten		Werkstoff	DIN 7168 - m
Bearbeitet Krusche	Geprüft Cassel	H:\08 Artikel\10 - Metal detector\1015 - GF\10150377\ACAD\102\10150377-v02.idw	Datum 03.Dez.2014
 MESSTECHNIK GMBH D-37127 Dransfeld / GERMANY		Zeichnungsname GF-TD-R 0180 Sensor (Throat Detektor) GF-TD-R 0180 Sensor (throat detector)	Maßstab 1 : 2
Zeichnungsnummer 10150377-v02-Mounting			Blatt 3 / 3