

# ***XG0807DCW***

## **ELEVATING WORK PLATFORM**



## INDUSTRY EXPERTISE

XCMG Sales & Service is one of Australia's **fastest growing** construction and mining equipment suppliers.

Offering premium quality excavators, wheel loaders, compaction rollers, graders, access equipment and mini excavators, XCMG Sales & Service has **the products and the support** to keep you working on any job site.

## MACHINERY SALES

XCMG Sales & Service know construction and mining equipment. You can count on our **dedicated and knowledgeable team** of product experts to take the time to understand and satisfy your machinery needs by recommending the **right solution for the job**.

## RENTALS & HIRE

If you need a high-performance machine with reliability you can **trust**, and the flexibility of hiring, we have you covered.

Our fleet is diverse, with machines to suit almost any job. Furthermore, because our rental fleet is maintained by factory-trained technicians, you can be confident that you'll not only be getting the best machines on the market, but that it's going to **work as hard as you do**, day-in day-out.

## AFTERMARKET SUPPORT

We're here to help keep you and your machine working. With an **exceptional over-the-counter fill rate** on spare parts, you're assured that when you buy a machine from XCMG Sales & Service, you'll be looked after throughout your machine's entire lifetime, from start to finish.

Every service job is as important to us as it is to you, and with a dedicated team of machinery technicians, we have ample resources to look after any of your machine repairs or servicing requirements **quickly and efficiently**.

## ABOUT

**The World's 3rd largest manufacturer of construction and mining equipment.**

*Founded in 1943, 8 decades of experience.*

*Manufacturing in USA, Germany, China, Brazil and India.*

*Extensive supply chain and dealer network throughout Australia.*

*Deep relationships with corporate giants: Rio Tinto, BHP and MMG in Australia.*

## MINI / LARGE EXCAVATORS

*1 to 49 Tonne*

## WHEEL LOADERS

*5 to 100 Tonne*

## COMPACTION ROLLERS

*1.5 to 30 Tonne Smooth & Padfoot*

## GRADERS

*7.5 to 70 Tonne*

## ACCESS EQUIPMENT

*Lift Heights From 5 to 21 Metres*



## NEWCASTLE (NORTHERN NSW)

Situated in Hexham on the Pacific Highway. Serves the Northern NSW region from the Hawkesbury River to the QLD border. Company headquarters: complete sales, service (in-house / field), hire, parts and corporate shared services.

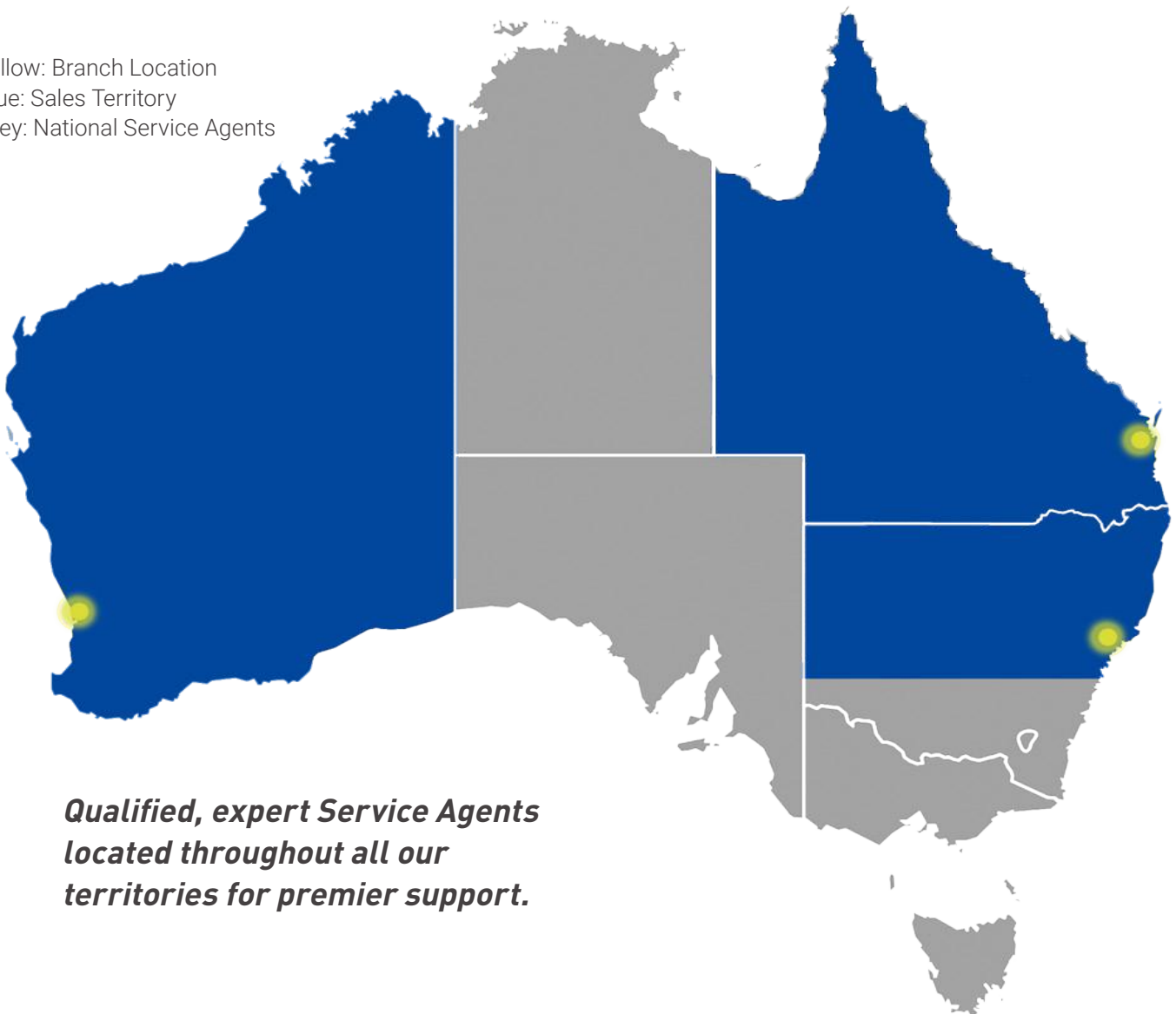
## PERTH (WESTERN AUSTRALIA)

Located in Welshpool just 15 minutes from the CBD, serves the entire state of Western Australia. Sales, rentals, parts and service, including field service capabilities to various mine sites throughout WA.

## BRISBANE (QUEENSLAND)

Situated 30 minutes from the CBD, conveniently located to serve all areas of Queensland. Sales, rentals, parts and service (in-house and field).

Yellow: Branch Location  
Blue: Sales Territory  
Grey: National Service Agents



***Qualified, expert Service Agents  
located throughout all our  
territories for premier support.***

## PERFORMANCE, RELIABILITY & VALUE

### GLOBAL DOMINANCE

XCMG is the World's 3rd largest construction machinery manufacturer, with branches, dealers and service agents throughout Australia.

### SAFETY COMPLIANCE

The XG0807DCW complies with AS, NZS, ANSI and CE safety specifications and requirements for elevated work platforms.

### DRIVE SYSTEM

A 24V DC electric drive motor is engineered to have no hydraulic leaks and better battery results, while also including 25% gradeability.

### EASY MAINTENANCE

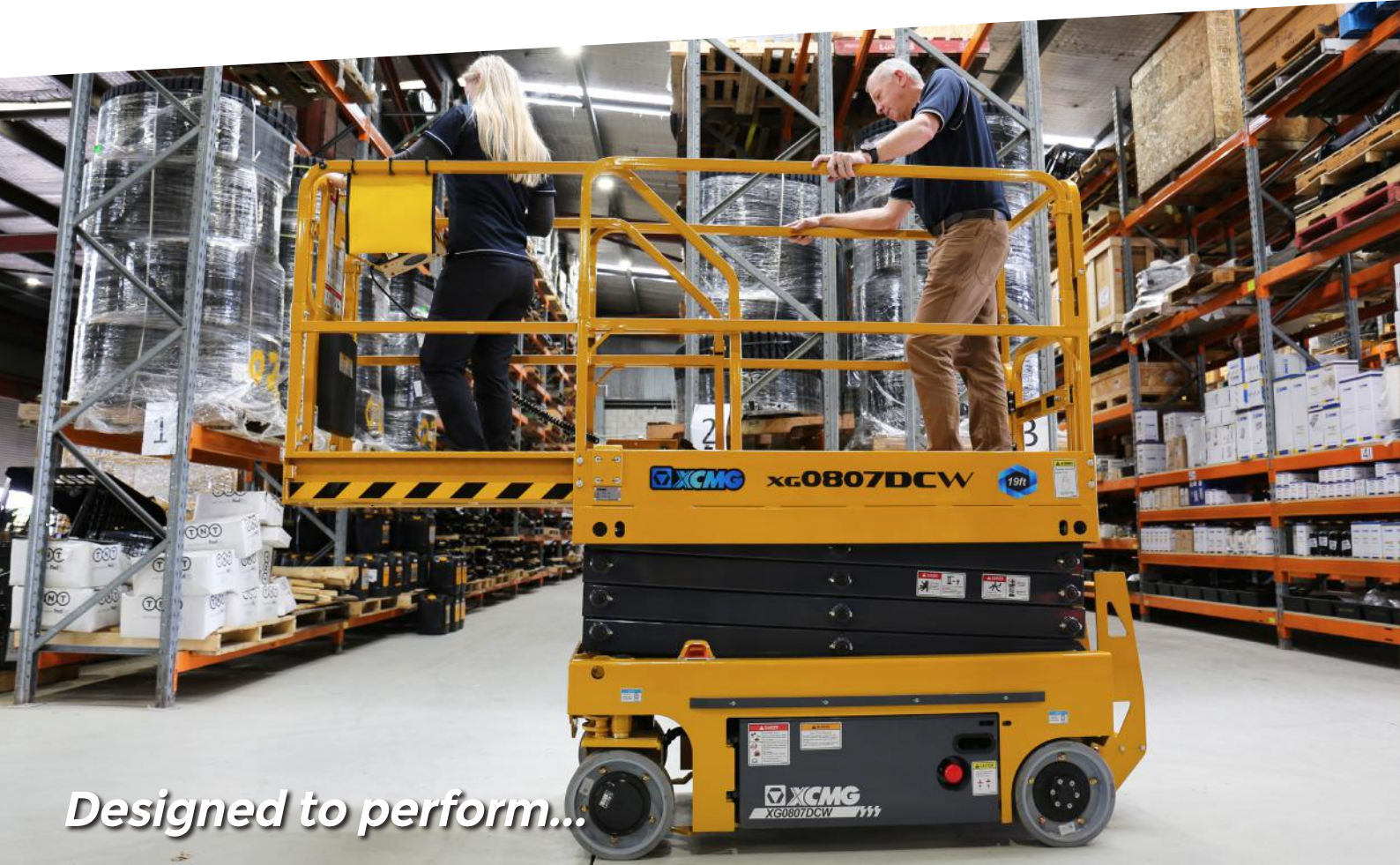
One of the standout features of this machine is the maintenance-free batteries with 30-amp charger plus no greasing required on scissor components.

### COMPACT DESIGN

A compact design and zero turn radius makes it easier for the operator to navigate through narrow aisles and doorways.

### USER FRIENDLY CONTROLS

Toggle and joystick controls, moveable controller and simple ground control switches with hour meter, fault warning and charge level.



*Designed to perform...*

# XG0807DCW ELEVATING WORK PLATFORM

## EXTENDABLE PLATFORM

The 4 stage 900mm extending platform with lock pedal for variable extension, plus lanyard connection points in all four corners, creates a larger, safer and more versatile working area for the operator.

## ADDED OPERATING FEATURES

A charge port and battery level display under steps, front wheel drive with multiple disc brakes, and fold-down rails with attached clips ensure easy use and safety for the operator.

## EXCELLENT DESIGN

Premium componentry throughout, fork sleeves and chain lugs for easy lifting and transport, and non-marking wheels as standard.

## FASTER LIFTING

Faster lift speeds than many competitors and lift prevention on angled gradient, ensures more efficiency, less time spent waiting and improved safety for the operator.

## SAFETY FEATURES

2x e-stops plus isolator, manual override emergency release, pothole protection bar below chassis, plus motion, gradient and load warning audible alarms, ensure operator and bystander safety.

## UNMATCHED SUPPORT

Product experts at your local dealer provide exceptional support throughout your machine's lifetime: operation, maintenance and service from the delivery date through to its very last day on the job.



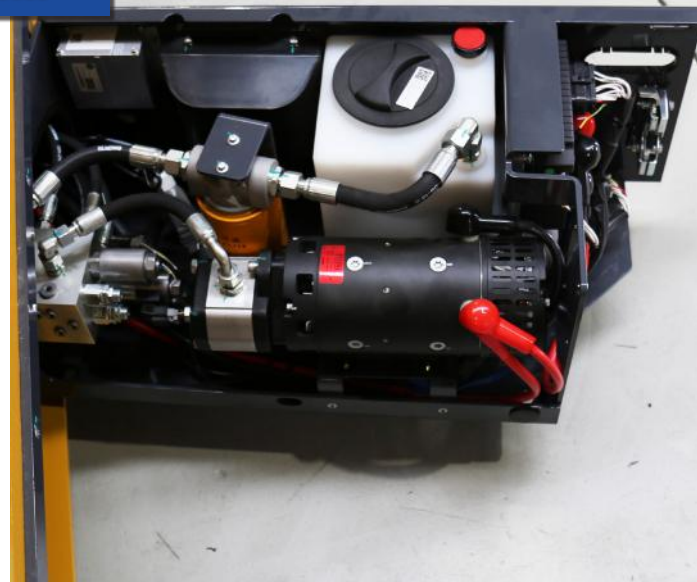
*...built to last.*



**User friendly controls and moveable controller**



**Maintenance-free batteries and easy motor access**



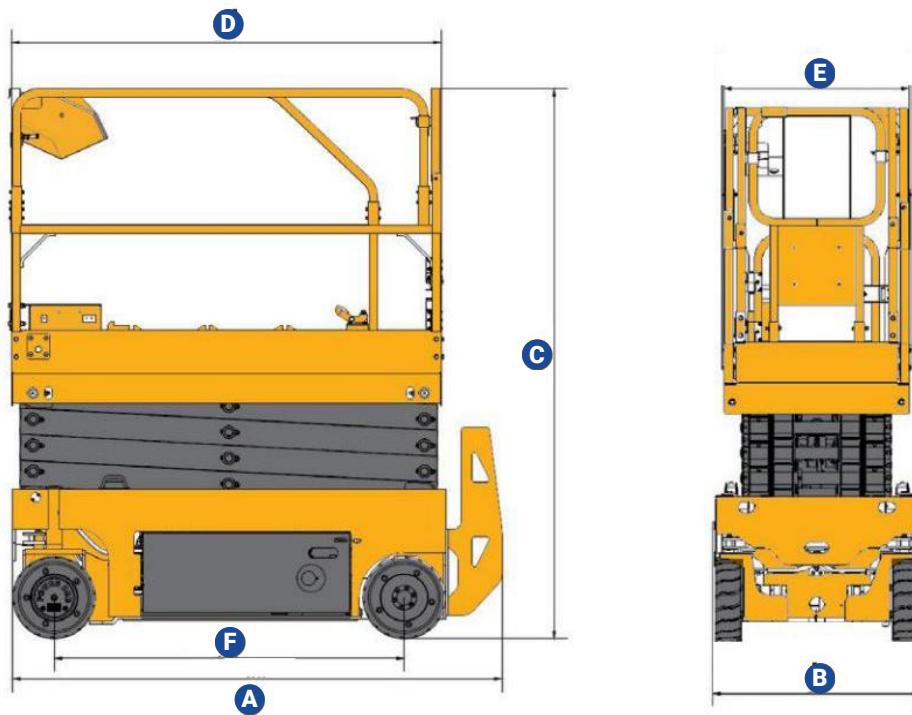
# XG0807DCW ELEVATING WORK PLATFORM



Front wheel drive and non-marking tyres



# XG0807DCW SPECIFICATIONS



XG0807DCW	A	A (No Ladder)	B	C	C (Platform Folded)	D	E	F
mm	1900	1680	810	2160	1830	1670	740	1360

## KEY PERFORMANCE SPECIFICATIONS

Key Specs	Length of Extension Platform:	900 mm
	Maximum Working Height:	7.8 m
	Maximum Platform Height:	5.8 m
	Minimum Ground Clearance:	70/20 mm
	Minimum Turning Radius:	0/1.75 m
	Lifting Motor:	3.3 kW
	Lifting/Descending Duration of Platform:	13-30/25-35 s
	Maximum Travel Speed at Low Level:	4.5 kmph
	Maximum Travel Speed at High Level:	0.8 kmph
	Maximum Gradeability:	25 %
	Maximum Inclination:	1.5/3 °
	Battery:	4x6/280 v/Ah
	Charger:	24/30 v/A
	Tyre Specification:	323x100
	Total Machine Weight:	1580 kg
Load Capacity:	230 kg	
Load Capacity of Extended Platform:	115 kg	
Maximum Occupant Capacity:	2 People	

Note: specifications listed above are correct at February 2022 and are subject to change any time. For additional information visit [www.xcmgmachinery.com.au](http://www.xcmgmachinery.com.au).