

SEGMENsensor

Plastic square shape capacitive sensors **CE07** series



Features

- ◆ Be able to detect both metal and nonmetal objects;
- ◆ Be able to detect various media via nonmetallic container;
- ◆ Reliable liquid level detecting;

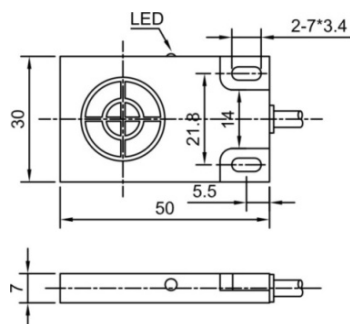
Part number

NPN NO	CE07SF05DNO	CE07SN08DNO	PNP NO	CE07SF05DPO	CE07SN08DPO
NPN NC	CE07SF05DNC	CE07SN08DNC	PNP NC	CE07SF05DPC	CE07SN08DPC

Technical specifications

Mounting	Flush	Non-flush	Consumption current	≤15mA
Rated distance [Sn]	5mm (adjustable)	8 mm(adjustable)	Circuit protection	Reverse polarity protection
Assured distance [Sa]	0...4mm	0...6.4mm	Output indicator	Yellow LED
Dimensions	30*50*7mm		Ambient temperature	-10°C...55°C
Output	NO/NC(depends on part number)		Ambient humidity	35-95%RH
Supply voltage	10...30 VDC		Switching frequency [F]	60 Hz
Standard target	Fe15*15*1t	Fe24*24*1t	Voltage withstand	1000V/AC 50/60Hz 60S
Switch-point drifts [%/Sr]	≤±20%		Insulation resistance	≥50MΩ (500VDC)
Hysteresis range [%/Sr]	3...20%		Vibration resistance	10...50Hz (1.5mm)
Repeat accuracy [R]	≤3%		Degree of protection	IP67
Load current	≤200mA		Housing material	PBT
Residual voltage	≤2.5V		Connection type	2m PVC cable

Dimensions



Wiring diagram

