

OPERATOR'S MANUAL

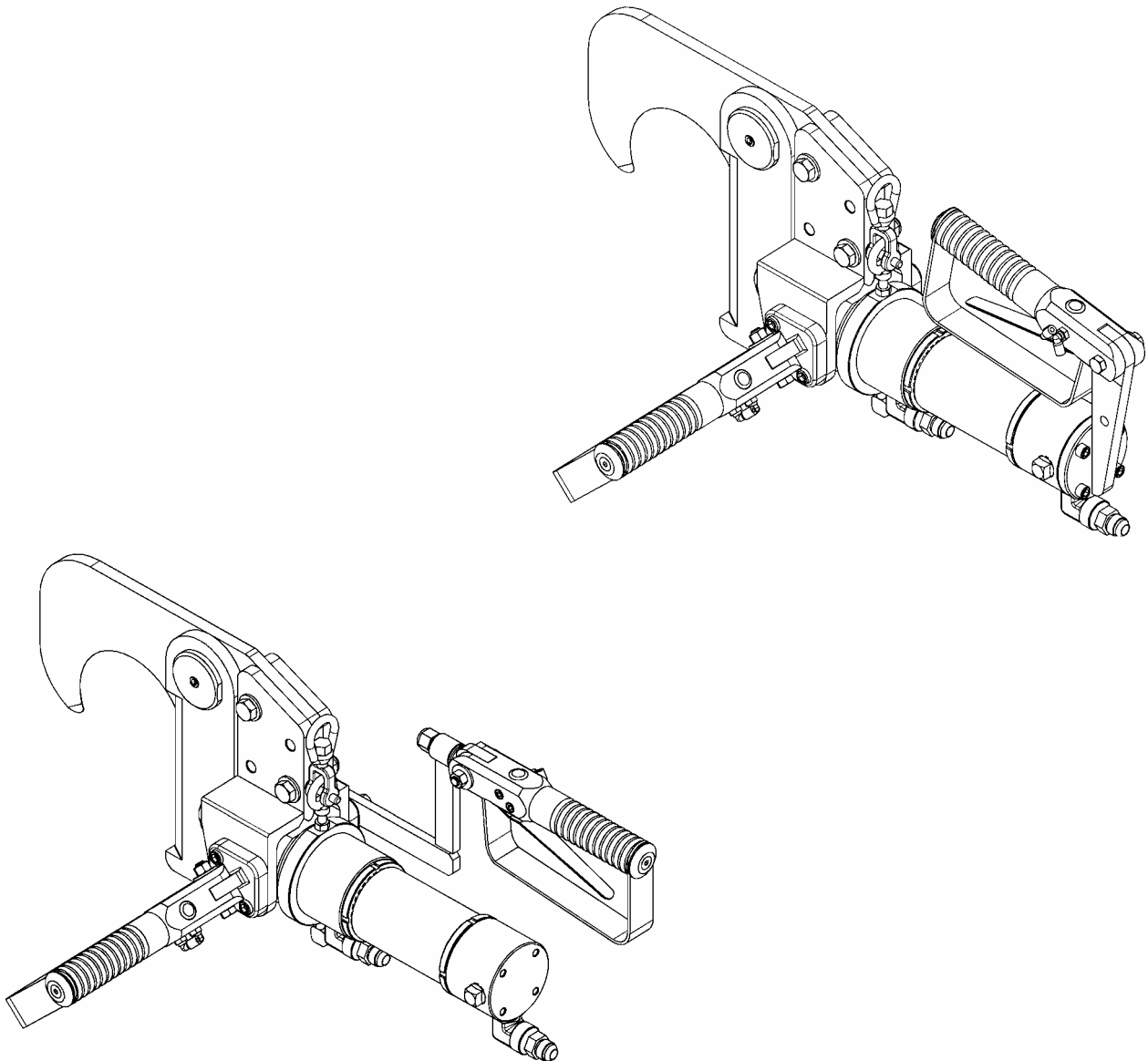
INCLUDING: OPERATION, INSTRUCTION, INSTALLATION, MAINTENANCE AND PARTSBOOK

IMPORTANT: READ THIS MANUAL CAREFULLY BEFORE INSTALLING, OPERATING OR SERVICING THIS TOOL.

HORN AND LEG CUTTER "HC-7"

TOOL DATA

MODEL: HC-7
ASSEMBLY NO. 6440000
TYPE: AIR/HYDRAULIC OPERATED
NET WEIGHT: 57 LBS (26 KG)
HYDRAULIC PRESSURE: 1500 P.S.I.
INLET AIR PRESSURE: 90 P.S.I. (6-7 BARS)



 **WARNING**

= Hazards or unsafe practices which could result in severe personal injury, death or substantial property damage.

 **CAUTION**

= Hazards or unsafe practices which could result in minor personal injury, product or property damage.

 **NOTICE**

= Important installation, operation or maintenance information.

OPERATING AND SAFETY INSTRUCTIONS

 **WARNING**

DO NOT OPERATE THIS TOOL UNTIL YOU HAVE READ AND UNDERSTOOD THE SAFETY INSTRUCTIONS AND OPERATING MANUALS.

 **WARNING**

DO NOT OPERATE THIS TOOL UNTIL YOU HAVE RECEIVED TRAINING IN THE HANDLING, OPERATION AND USE OF THIS TOOL.

 **WARNING**

STOP USING A MALFUNCTIONING OR DEFECTIVE TOOL IMMEDIATELY. REPORT ANY PROBLEMS OR DEFECTS TO YOUR SUPERVISOR FOR REMOVAL OF THE TOOL FROM SERVICE.

 **WARNING**

DO NOT ATTEMPT TO REPAIR THE TOOL YOURSELF.

 **WARNING**

DO NOT ALLOW UNAUTHORIZED PERSONS TO USE TOOL.

 **WARNING**

REMOVE AND DISCONNECT POWER FROM THE TOOL WHEN TOOL IS LEFT UNATTENDED OR IS NOT IN USE.

 **WARNING**

NEVER TIE DOWN, BYPASS, ALTER OR MODIFY THE ACTIVATING SWITCHES OR TRIGGERS OF THIS TOOL.

 **WARNING**

NEVER MAKE ALTERATIONS OR MODIFICATIONS TO THIS TOOL.

 **WARNING**

BE CONSTANTLY AWARE AND ALERT FOR UNSAFE CONDITIONS AND REPORT THEM IMMEDIATELY TO YOUR SUPERVISOR.

 **WARNING**

NEVER PLACE YOUR HAND OR ANY PART OF YOUR BODY IN THE CUTTING PATH OF THE TOOL.

 **WARNING**

NEVER ALLOW ANYONE ELSE TO PLACE THEIR HANDS OR ANY PART OF THEIR BODY IN THE CUTTING PATH OF THE TOOL.

 **WARNING**

DO NOT ACTIVATE CONTROL SWITCHES OR TRIGGERS OF THIS TOOL UNLESS YOU INTEND TO TEST OR OPERATE THIS TOOL.

 **WARNING**

DO NOT USE THIS TOOL FOR ANY PURPOSE OTHER THAN IT'S INTENDED PURPOSE.

 **CAUTION**

WHEN OPERATING THIS TOOL WEAR THE PROTECTIVE GEAR AND SAFETY EQUIPMENT SUPPLIED TO YOU.

 **WARNING**

THE NOISE EMISSION (SOUND PRESSURE LEVEL) AT THE WORKSTATION MAY EXCEED 80 dB (A). EAR AND SOUND PROTECTION GEAR IS REQUIRED.

OPERATING INSTRUCTIONS

⚠ WARNING ONLY TRAINED PERSONNEL ARE TO OPERATE THIS TOOL.

1. TO ENSURE TOOL IS OPERATING PROPERLY, PERFORM FOLLOWING STEPS AT START OF EACH SHIFT:
 - MAKE SURE TOOL MOVES UP AND DOWN FREELY WHILE HANGING FROM BALANCER OVERHEAD.
 - WITH POWER TO TOOL TURNED ON, TEST TRIGGER FOR PROPER OPERATION.
 - DEPRESS EACH TRIGGER SEPARATELY. TOOL SHOULD NOT ACTIVATE. DEPRESS BOTH TRIGGERS. TOOL SHOULD ACTIVATE.
 - IF TOOL HAS "ANTI-TIE DOWN" OPTION, BOTH TRIGGERS MUST BE DEPRESSED SIMULTANEOUSLY FOR TOOL TO ACTIVATE.
2. TO PERFORM WORK, HOLD TOOL FIRMLY AT BOTH HANDLES. SQUEEZE TRIGGERS TO ACTIVATE TOOL.
3. POSITION TOOL AND PERFORM CUTTING OPERATION.

MAINTENANCE

⚠ WARNING ONLY TRAINED AND QUALIFIED PERSONNEL ARE TO PERFORM MAINTENANCE AND SERVICE TO THIS TOOL.

1. MAKE ALL NECESSARY LINE CONNECTIONS TO THE TOOL.
2. AN AIR FILTER-REGULATOR-LUBRICATOR (PART NO. 7200030) MUST BE INSTALLED IN AIR SUPPLY FOR EACH TOOL.
3. FILL LUBRICATOR WITH KENTMASTER AIR MIST OIL (PART NO. 7903050). SET DRIP RATE ACCORDING TO INSTRUCTIONS SUPPLIED. TURN ADJUSTMENT ON SIGHT FEED DOME TO INCREASE/DECREASE OIL DELIVERY. MONITOR THE DEVICE BEING LUBRICATED AND READJUST IF NEEDED.
4. TOOL REQUIRES 90 P.S.I. AIR PRESSURE.

POWER SUPPLY

1. HYDRAULIC PUMP (HYDRAULIC POWER SUPPLY)

KENTMASTER HYDRAULIC PUMP HPP-I-A (KENTMASTER PART NUMBER 6515000)

2. HYDRO POWER INTENSIFIER (AIR / HYDRAULIC POWER SUPPLY)

KENTMASTER HYDRO POWER INTENSIFIER HP-I (KENTMASTER PART NUMBER 6510200)

BLADE REMOVAL AND CLEANING.

⚠ WARNING ALWAYS DISCONNECT POWER SUPPLY FROM TOOL BEFORE INSTALLING OR REMOVING BLADE FROM TOOL.

⚠ WARNING ALWAYS WEAR WIRE MESH GLOVES WHEN INSTALLING OR REMOVING BLADE FROM TOOL.

1. REMOVE BOLT AND NUT (ITEM NO. 1 AND 2, FIG. NO. 1).
2. REMOVE PIN, NUT, WASHER (ITEMS 4, 5, 6, 7 FIG. 1)
3. REMOVE MOVABLE BLADE (ITEM NO. 3, FIG. NO. 1).
4. TOP BLADE: REMOVE NUTS AND BOLTS (ITEMS 8,9,10,11, FIG.1)
5. PULL OUT LEFT BLADE MOUNTING (ITEM 12, FIG. 1)
6. REMOVE TOP BLADE (ITEM 13, FIG. 1)
7. CLEAN ALL PARTS REMOVED WITH SOAP AND WATER.
8. SHARPEN OR REPLACE BLADES WHEN NECESSARY.
9. REASSEMBLE IN REVERSE ORDER.

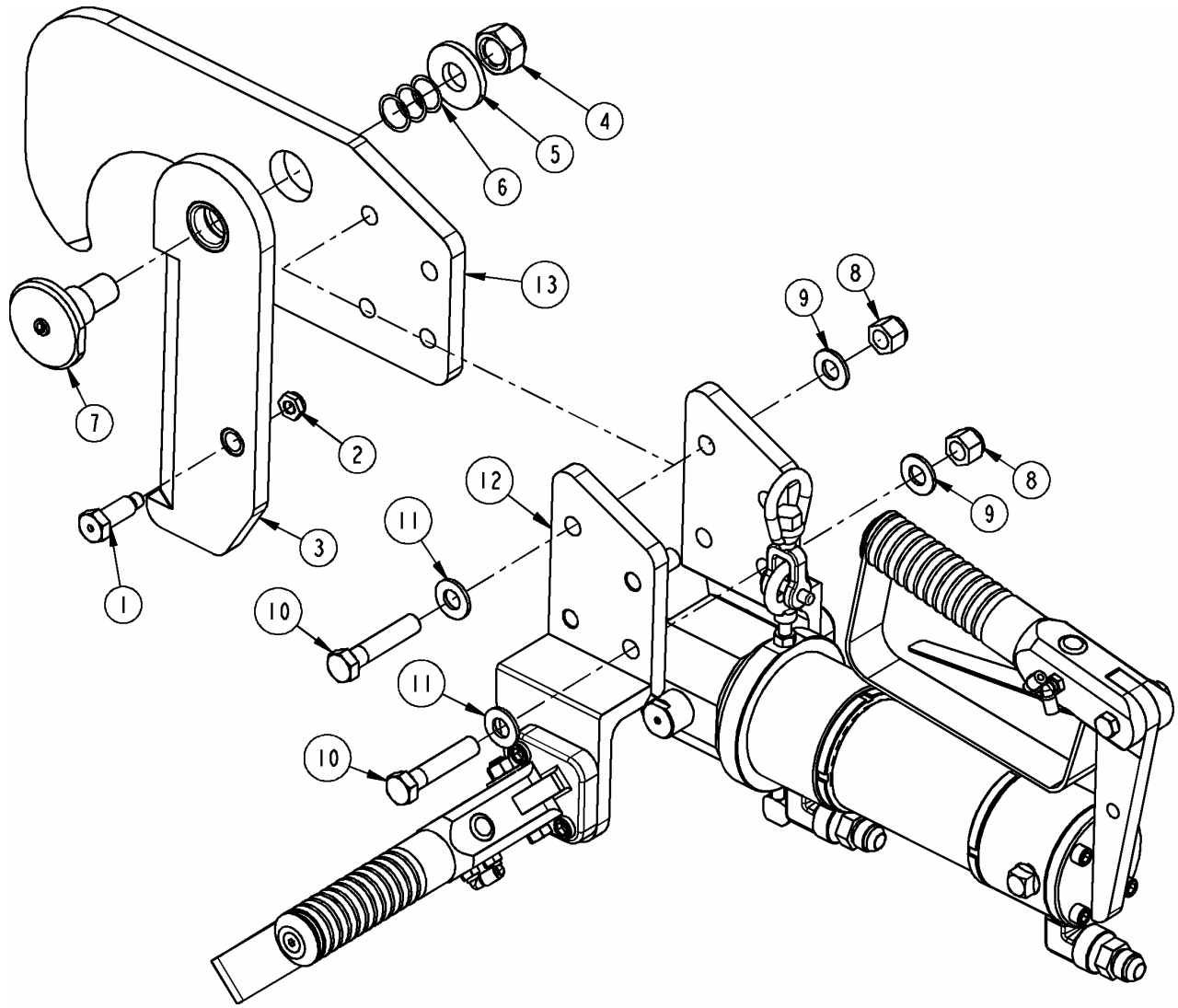
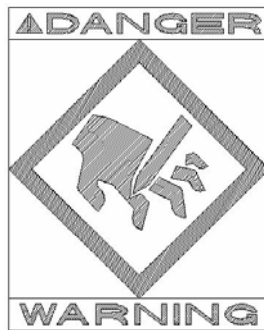


Figure 1 MODEL HC-7- BLADE REPLACEMENT

SERVICE

1. KEEP GOOD RECORDS OF ALL SERVICE ACTIVITY AND INCLUDE TOOL IN PREVENTIVE MAINTENANCE PROGRAM.
2. USE ONLY GENUINE KENTMASTER REPLACEMENT PARTS TO ASSURE PROPER PERFORMANCE OF TOOL.
3. CONTACT THE KENTMASTER SUPPLIER NEAREST YOU FOR PARTS AND CUSTOMER SERVICE INFORMATION.



PARTS BOOK

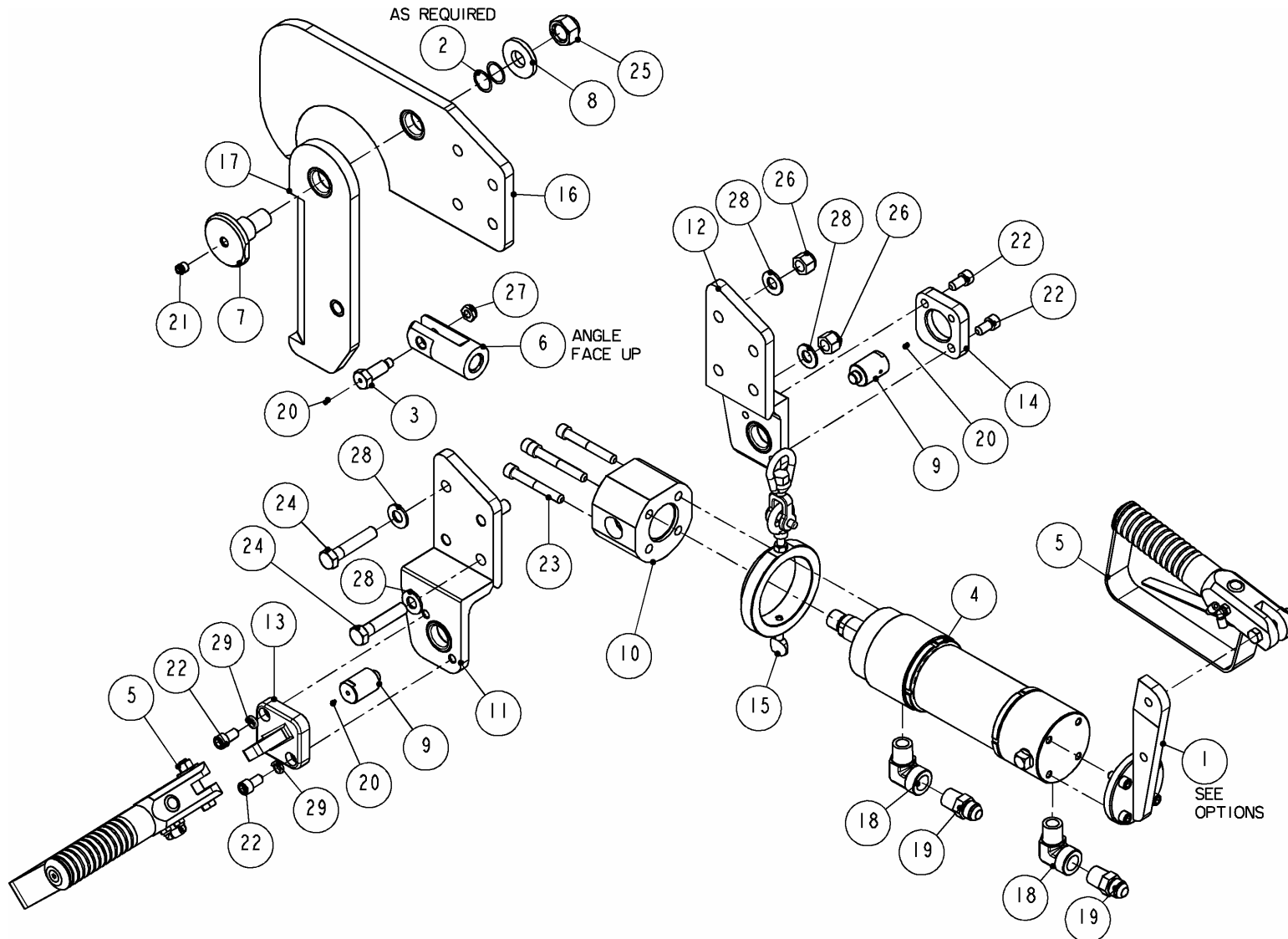


Figure 2 644000: MODEL "HC-7" – MAIN ASSEMBLY

KENTMASTER MFG. CO., INC. 1801 SOUTH MOUNTAIN AVE., MONROVIA, CALIFORNIA 91016 UNITED STATES OF AMERICA

☎ TELEPHONE: (626) 359-8888 FAX: (626) 303-5151

6640000: HC-7, HORN AND LEGS CUTTER			
ITEM	PART #	DESCRIPTION	QTY
1	6640281	REAR FIXED HANDLE MOUNTING	1
	6640500	SWIVEL HANDLE MOUNTING	1
2	6201210	SHIM WASHER	3
3	6541050	PIN	1
4	6560121	CYLINDER ASSEMBLY	1
5	6600530	AIR HANDLE	2
6	6640250	CLEVIS	1
7	6640310	BLADE PIVOT PIN	1
8	6640320	SPACER	1
9	6640350	PIVOT PIN	2
10	6640360	CYLINDER MOUNT	1
11	6640370	BLADE MOUNTING ASS'Y, LEFT	1
12	6640380	BLADE MOUNTING ASS'Y, RIGHT	1
13	6640390	FRONT HANDLE MOUNTING	1
14	6640400	COVER PIN	1
15	6640640	HANGER ASSEMBLY	1
16	6640650	UPPER BLADE	1
17	6640660	MOVABLE BLADE	1
18	7000430	ELBOW	2
19	7012200	CONNECTOR	2
20	7014050	FITTING, LUBRICATION	3
21	7018150	FITTING - LUBE	1
22	8215060	SCREW	4
23	8215220	SCREW	4
24	8418200	SCREW	2
25	8502230	NUT	1
26	8504170	NUT	2
27	8504870	NUT	1
28	8505180	WASHER	4
29	8506660	WASHER	2

HANDLE CONTROL (OPTIONAL) 6630200: ANTI-TIE DOWN OPTION

7	7804310	AIR LOGIC MODULE	1
6	8028160	SCREW SRHMS 8-32 X 2.0"	2
5	8500080	NUT, HEX 8-32	2
4	7300790	TUBING, NYLON (GREEN) 5/32" X 20'	1
3	7300770	TUBING, NYLON (RED) 5/32" X 11"	1
2	7038150	Y TUBE TO TUBE	2
1	7300780	TUBING, NYLON (RED) 5/32" X 20'	2
ITEM	PART	DESCRIPTION	QTY
6630200 - ANTI TIE DOWN OPTION			

Figure 3 BOM FOR MODEL "HC-7"

HC-7 WITH REAR FIXED HANDLE

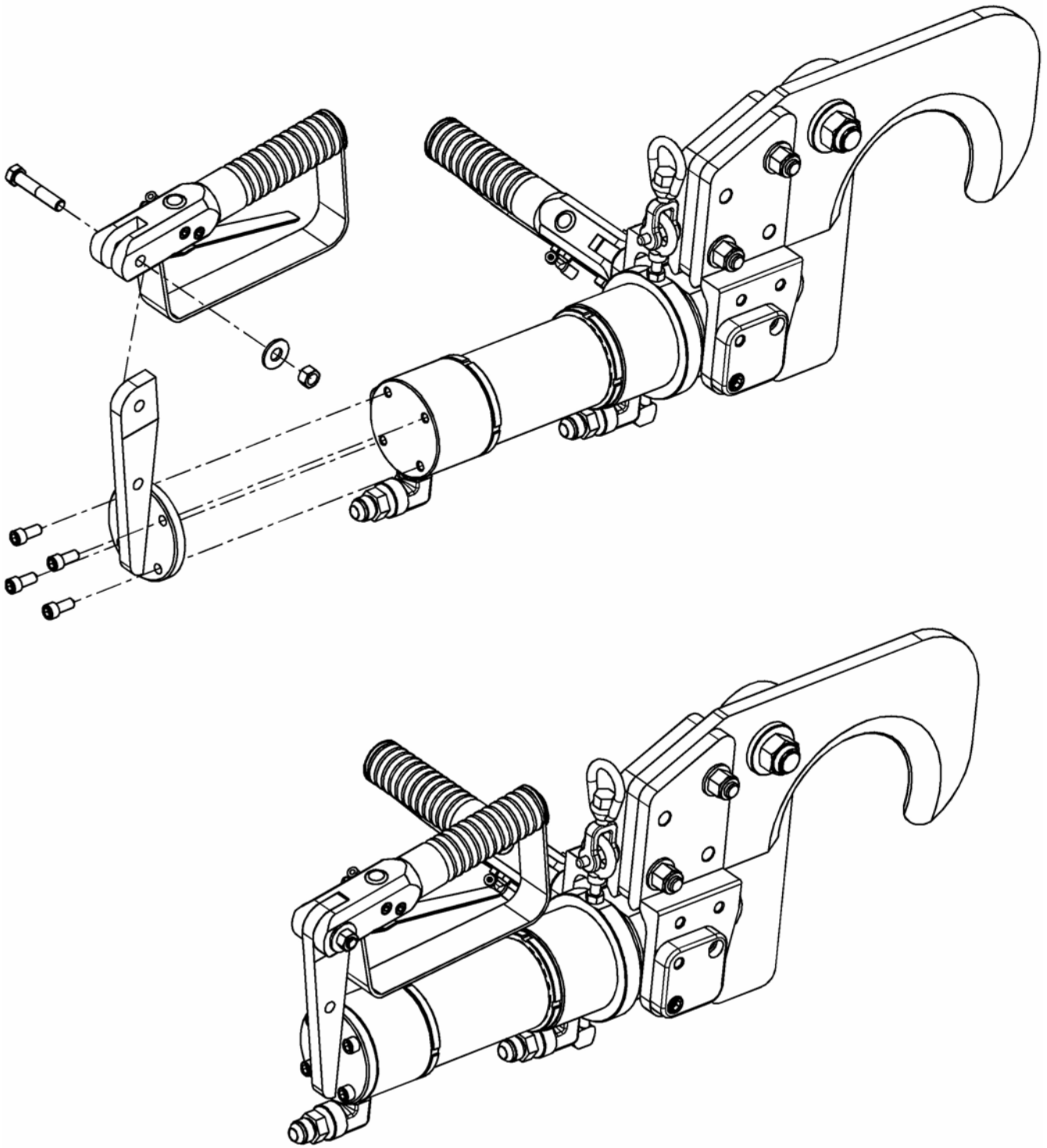


Figure 4 HC-7 WITH REAR FIXED HANDLE

HC-7 WITH SWIVEL HANDLE

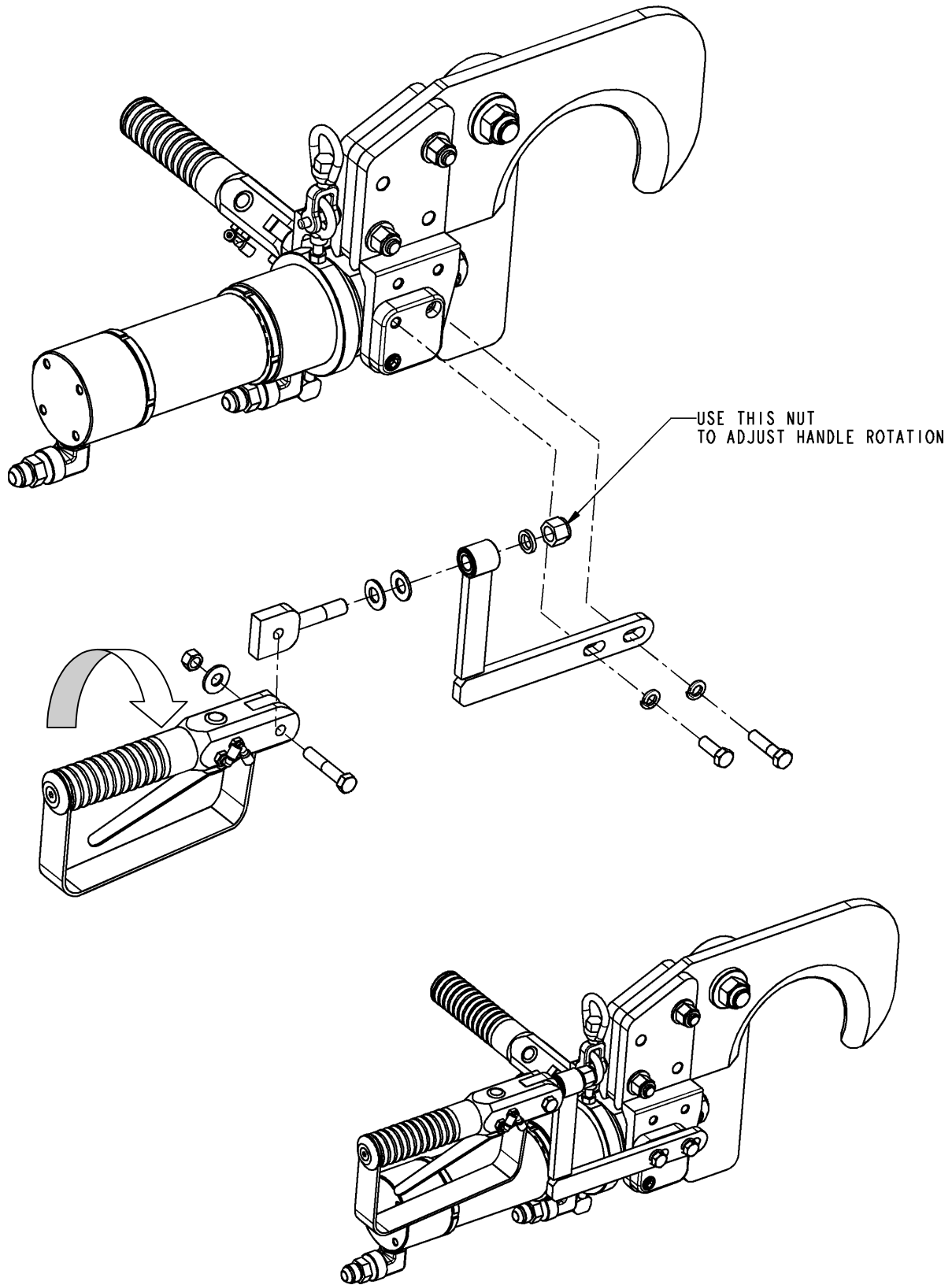
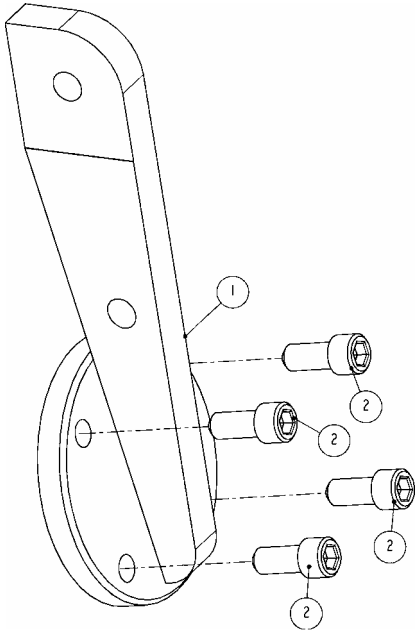


Figure 5 HC-7 WITH SWIVEL HANDLE

HANDLE MOUNTING



6640281: REAR FIXED HANDLE MOUNTING			
ITEM	PART #	DESCRIPTION	QTY
1	6640280	REAR HANDLE BRACKET	1
2	8213060	SCREW	4

Figure 6 6640281: REAR FIXED HANDLE MOUNTING

6640500: SWIVEL HANDLE MOUNTING			
ITEM	PART #	DESCRIPTION	QTY
1	6640510	HANGER BUSHING ASSEMBLY	1
2	6640520	HANDLE MOUNTING PIN	1
3	8415080	SCREW	1
4	8415120	SCREW	1
5	8504170	NUT	1
6	8506160	WASHER	2
7	8705120	WASHER	1
8	8712040	SPRING WASHER	2

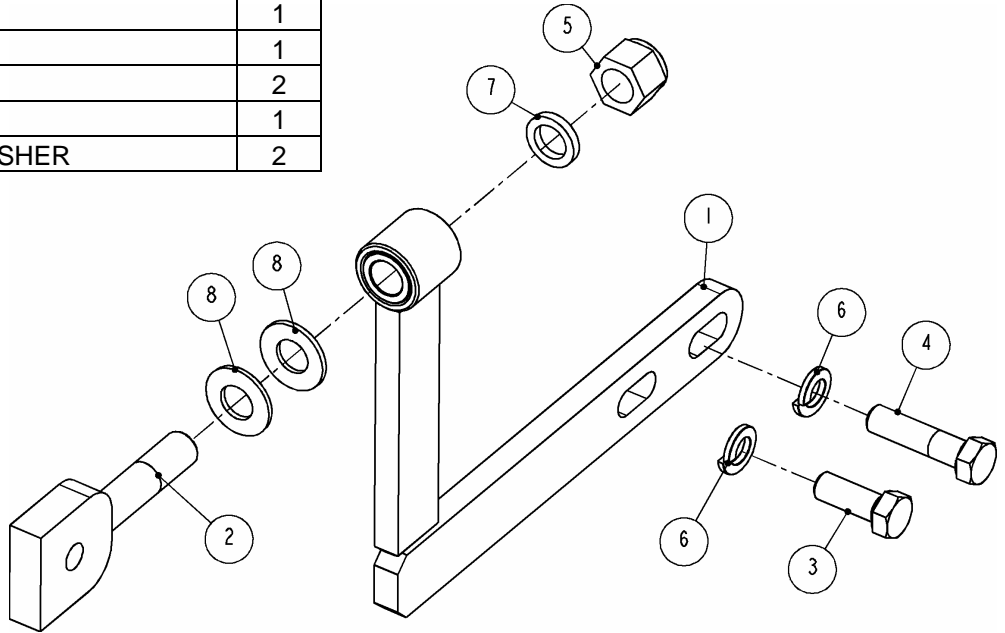
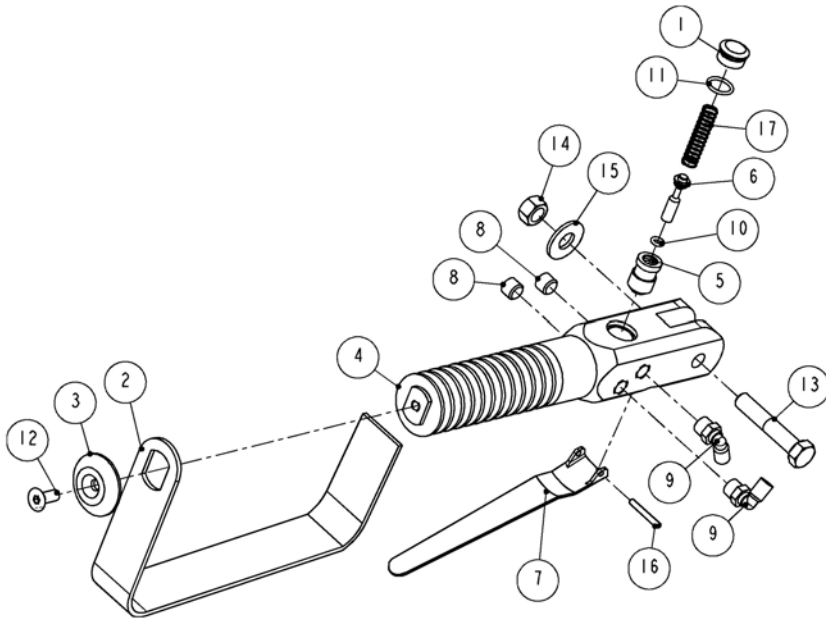


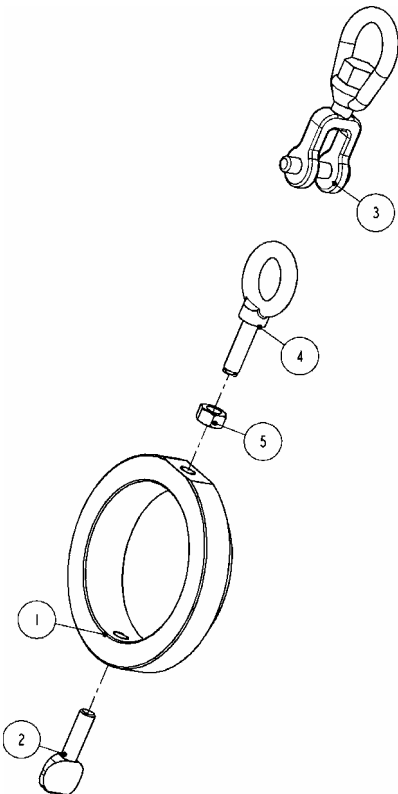
Figure 7 6640500: SWIVEL HANDLE MOUNTING

HANDLE AND HANGER



6600530: AIR HANDLE, REAR			
ITEM	PART #	DESCRIPTION	QTY
1	6300770	VALVE PLUG	1
2	6541690	GUARD	1
3	6541720	RETAINER	1
4	6600340	HANDLE	1
5	6600350	BUSHING	1
6	6600360	VALVE STEM	1
7	6600500	LEVER	1
8	7000010	PLUG	2
9	7036510	ELBOW	2
10	7680080	O-RING	1
11	7680140	O-RING	1
12	8241050	SCREW	1
13	8415160	SCREW	1
14	8500150	NUT	1
15	8505160	WASHER	1
16	8620080	PIN	1
17	8890010	SPRING	1

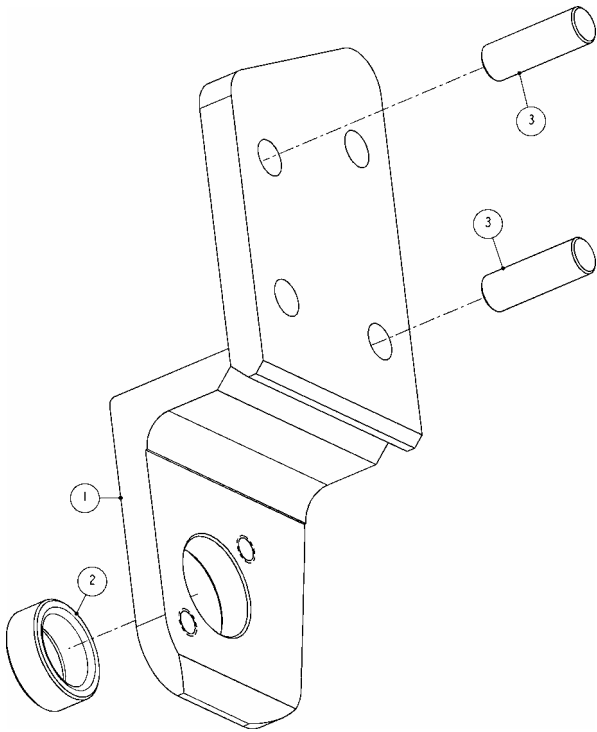
Figure 8 6600530: AIR HANDLE, REAR



6640640: HANGER ASSEMBLY			
ITEM	PART #	DESCRIPTION	QTY
1	6640630	SWIVEL	1
2	8443080	SCREW	1
3	8462250	JAW AND SWIVEL	1
4	8463070	SHOULDER EYE BOLT	1
5	8500130	NUT	1

Figure 9 6640640: HANGER ASSEMBLY

BLADE MOUNTINGS



6640370: BLADE MOUNTING, LEFT			
ITEM	PART #	DESCRIPTION	QTY
1	6640200	MOUNTING, LEFT	1
2	6640330	BUSHING	1
3	8621440	PIN	2

Figure 10 6640370: BLADE MOUNTING, LEFT

6640380: BLADE MOUNTING, RIGHT			
ITEM	PART #	DESCRIPTION	QTY
1	6640230	BLADE BRACKET, RIGHT	1
2	6640330	BUSHING	1

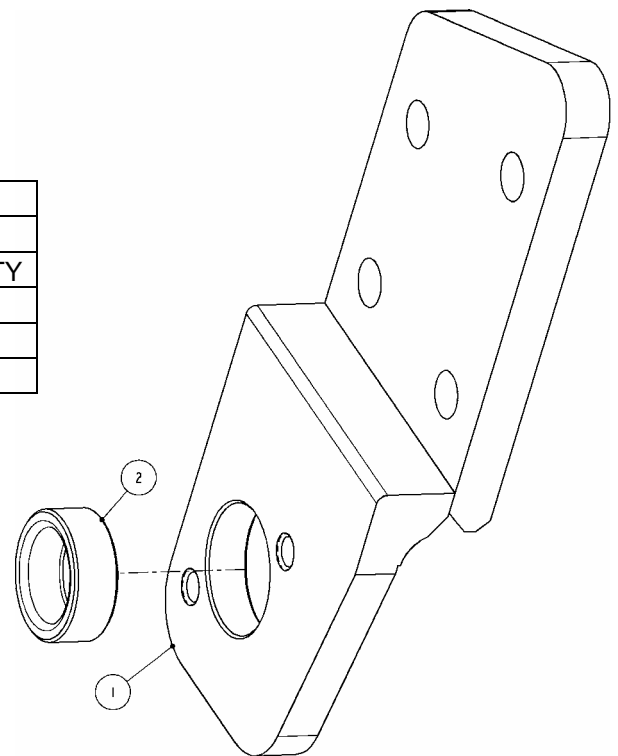


Figure 11 6640380: BLADE MOUNTING, RIGHT

BLADES

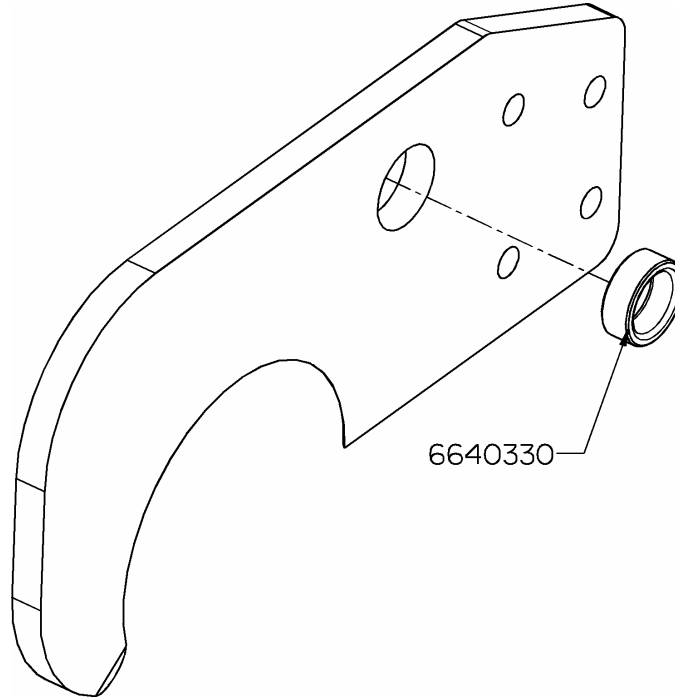


Figure 12 6640650: UPPER BLADE WITH BUSHING

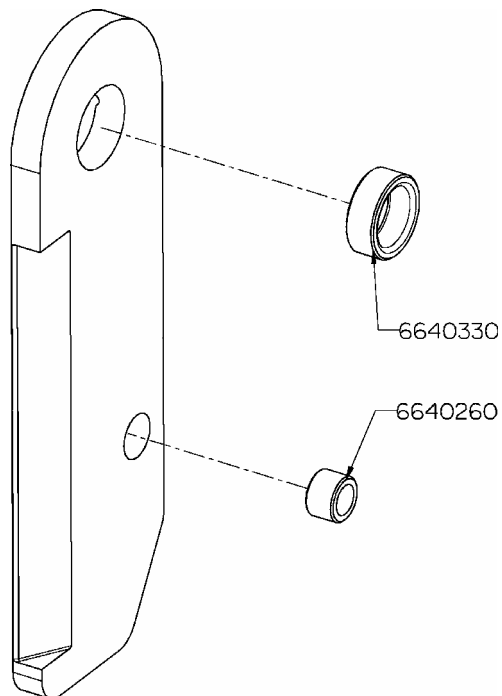
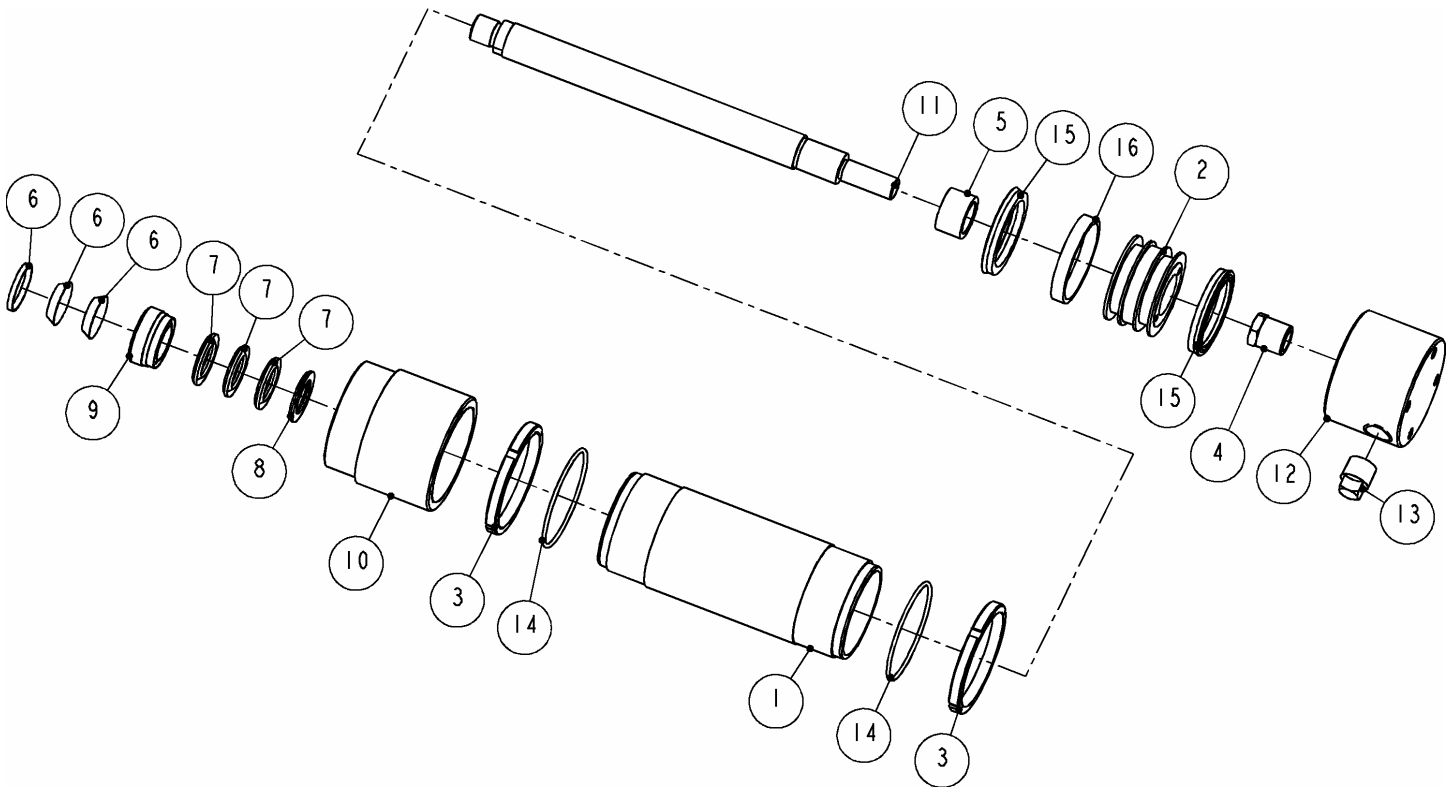


Figure 13 6640640: MOVABLE BLADE WITH BUSHINGS

CYLINDER

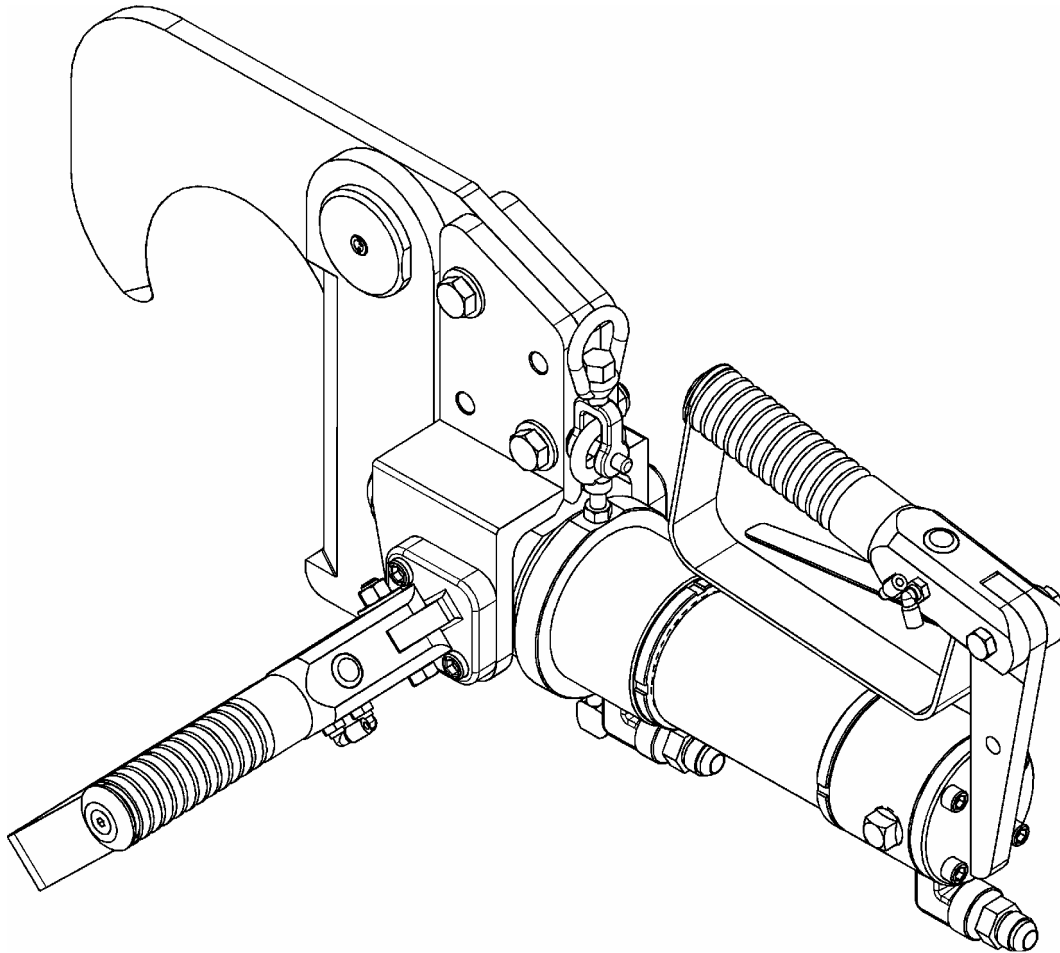


6560121: CYLINDER ASSEMBLY			
ITEM	PART #	DESCRIPTION	QTY
1	6008100	BODY, CYLINDER	1
2	6008120	PISTON	1
3	6008150	RING, LOCK	2
4	6008160	CUSHION	1
5	6008170	CUSHION, FRONT	1
6	6512110	SEAL GUARD - 3 PC. SET	1
7	6512140	PACKING ROD	3
8	6512150	ADAPTOR, PACKING	1
9	6541450	NUT, PACKING	1
10	6560070	HEAD, ROD END	1
11	6560080	SHAFT, CYLINDER	1
12	6640720	HEAD, BLIND END	1
13	7000140	PLUG	1
14	7681480	O-RING	2
15	7710520	SEAL	2
16	7710530	WEAR RING	1

Figure 14 6560120: CYLINDER ASSEMBLY

[ENGLISH]

GENERAL INFORMATION



MODEL

“HC-7” HORN AND LEGS CUTTER

SERVICE CENTERS

KENTMASTER LTD. (U.K)
16 AVONBANK INDUSTRIAL CENTRE
WEST TOWN ROAD
AVONMOUTH - BRISTOL BS11 9DE
UNITED KINGDOM

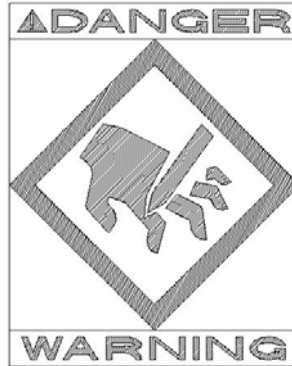
☎ TELEPHONE: ++ 44- (0) 117- 9235035
FAX: ++ 44- (0) 117- 9829010

KENTMASTER MFG. CO., INC.
1801 SOUTH MOUNTAIN AVE.
MONROVIA, CALIFORNIA 91016
UNITED STATES OF AMERICA

☎ TELEPHONE: (626) 359-8888
FAX: (626) 303-5151

NOTICE TO EMPLOYER AND PURCHASER OF TOOL
NOTICE TO SAFETY DIRECTOR

You have purchased a powerful tool that, if misused, can cause severe injury and harm to your employees. You must instruct your employees in the safe and proper use of this tool and to follow the safety procedures and instructions that have been supplied by the manufacturer of this tool. Please follow the following instructions.



1. Instruct tool operators to test the tool each day before using it to be sure it does not malfunction. Remove and repair any tool that malfunctions.
2. Instruct tool operators to immediately stop using a tool that malfunctions or is defective.
3. Instruct personnel to immediately remove all tools that malfunction. Be sure to disconnect tool from power supply.
4. Instruct all personnel to stay clear of tool, and not to stand or walk in front of, or next to tool when in use.
5. Point out to all personnel the dangers related to the misuse of tool and the importance of following safety procedures and instructions.
6. Do not make, or allow others to make, alterations or modifications to this tool. Replace all lost or illegible labels.
7. Follow all safety, installation and maintenance instructions provided with this tool. Establish proper safety procedures in accordance with local and national requirements to prevent accidental energizing of tool that can cause injuries.
8. If this tool is sold or change in ownership takes place, you must provide the new owner all safety instructions, notices and maintenance instructions you were originally provided. You can obtain additional copies of the instructions from Kentmaster, free of charge upon request.
9. Give copies of instructions to: **(A) Tool Operators**
(B) Maintenance Supervisor
(C) Clean-up Supervisor

GENERAL INFORMATION


COVERING: SAFETY PRECAUTIONS AND PLACING INTO SERVICE


HORN AND LEGS CUTTER


READ THIS MANUAL CAREFULLY BEFORE INSTALLING, OPERATING OR SERVICING THIS TOOL


IT IS THE RESPONSIBILITY OF THE EMPLOYER TO PLACE THIS INFORMATION INTO THE HANDS OF THE OPERATOR.


PLACING INTO SERVICE

 **WARNING** = Hazards or unsafe practices which could result in severe personal injury, death or substantial property damage.

 **CAUTION** = Hazards or unsafe practices which could result in minor personal injury, product or property damage.

 **NOTICE** = Important installation, operation or maintenance information.

 **WARNING** Installation, adjustment repair and maintenance of this tool must be made by trained and qualified personnel.

 **WARNING** Always disconnect power supply from tool before:
(A) Installing or removing blade from tool.
(B) Making repairs or adjustments to the tool.
(C) performing maintenance or cleanup work.

DECLARATION OF CONFORMITY

DECLARATION OF CONFORMITY

DECLARATION DE CONFORMITE -DECLARACION DE CONFORMIDAD- ERKLARUNG BEZUGLICH EINHALTUNG DER VORSCHRIFTEN
DICHIARAZIONE DI CONFORMITA . CONFORMITEITSVERKLARING

MANUFACTURED BY:

FABRIQUE PAR:
FABRICADA POR:
HERGESTELLTVON:
FABBRICATO DA:
VERVAARDIGD DOOR:

KENTMASTER MFG CO., INC.
1801 SOUTH MOUNTAIN AVE.
MONROVIA, CALIFORNIA 91016
UNITED STATES OF AMERICA
TELEPHONE (626) 359-8888 FAX (626) 303-5151

TYPE / SERIES: HORN AND LEGS CUTTER

TYPE / SERIE:
TIPO / SERIE:
TYP / SERIE:
TIPO / SERIE:
TYPE / SERIE:

MODEL: HC-7

MODELE:
MODELO:
MODELL:
MODELLO:
MODEL:

SERIAL NO. RANGE: XXXXX

N SERIE: • GAMA DE No. DE SERIE: • SERIEN-NR.-BEREICH: • NUMERI DI SERIE: • SERIENNUMMERS:

This product complies with the following European Community Directives:

Ce produit est conforme aux directives de la Communauté européenne suivantes:
Este producto cumple con las siguientes Directrices de la Comunidad Europea:
Dieses Produkt erfüllt die folgenden Vorschriften der Europäischen Gemeinschaft:
Questo prodotto è conforme alle seguenti direttive CEE:
Dit produkt voldoet aan de volgende EG-richtlijnen:

89/392/EEC, 91/368/EEC, 93/44/EEC, 93/68/EEC

The following Standards were used to verify compliance with the Directives:

Les normes suivantes ont été utilisées pour vérifier la conformité avec les Directives:
Las siguientes Normas se usaron para verificar el cumplimiento de las Directrices:
Folgende Normen wurden angewandt, um Erfüllung der Vorschriften zu bestätigen:
Per verificare la conformità del prodotto alle direttive sono stati usati i seguenti standard:
De volgende normen zijn gebruikt om naleving van de richtlijnen te bevestigen:

EN 292

Approved by: _____

Date: AUG - 1 - 2003

RALPH KARUBIAN MONROVIA, CA. U.S.A
(Engineering Manager) (Directeur technique) (gerente de ingenieria) (verantwortlicher Konstruktionsleiter) (Responsabile tecnico) (ondersteunend technisch manager)

Kentmaster Worldwide Location

Kentmaster Equipment (Aust) PTY.LTD.
Unit 2,24 Central Court
Browns Plains Qld. 4118
Australia

Telephone: (07) 3806-8400
Fax: (07) 3806-7933
Australia@Kentmaster.com

Kentmaster do Brasil, Ltda.
Av. Dr. Joao Teodoro No. 805
Bairro De Vila Rezende
13405-240 Piracicaba, SP,
Brazil

Telephone #1: (019) 3 413 3113
Telephone #2: (019)983-4973
Fax: (019) 3 413 3113
Brazil@Kentmaster.com

Kentmaster (IRL) LTD.
Benamore, Dublin Road.
Roscrea,
CO, Tipperary,
Ireland

Telephone: (353) 0505-23292
Fax: (353) 0505-23299
Ireland@Kentmaster.com

Kentmaster Equipment (NZ) LTD.
5 Cooper Street
Havelock North
New Zealand

Telephone #1: (64) 6 8777 857
Telephone #2: 0800 KENTMASTER
Fax: (64) 6 8777 858
NewZealand@Kentmaster.com

Kentmaster South Africa (PTY) LTD.
Johannesburg - S. Africa
Unit 54 Sunnyrock Park
Sunrock Close, Germiston
South Africa

Telephone: (27) 11-455-3748
Fax: (27) 11-455-3749
SouthAfrica@Kentmaster.com

Kentmaster (UK) LTD.
Unit 16 Avonbank Ind. Centre
West Town Rd, Avonmouth-Bristol,
BS11 9DE
England

Telephone: (44) 117-923-5035
Fax: (44)-117-932-9010
UK@Kentmaster.com

Kentmaster Mfg. Co., Inc.
1801 South Mountain Ave.
Monrovia, CA, 91016
USA

Telephone #1: (626) 359-8888
Telephone #2: (800) 421-1477
Fax: (626) 303-5151
info@Kentmaster.com

Kentmaster Omaha
4417 South 139th Street
Omaha, NE, 68137
USA

Telephone #1: (402) 896-3355
Telephone #2: (800) 367-3181
Fax: (402) 896-3311
Omaha@Kentmaster.com

INDEX

OPERATING AND SAFETY INSTRUCTIONS	2
OPERATING INSTRUCTIONS	3
MAINTENANCE	3
POWER SUPPLY	3
1. HYDRAULIC PUMP (HYDRAULIC POWER SUPPLY)	3
2. HYDRO POWER INTENSIFIER (AIR / HYDRAULIC POWER SUPPLY)	3
BLADE REMOVAL AND CLEANING	3
SERVICE	4
PARTS BOOK	5
HANDLE CONTROL (OPTIONAL) 6630200: ANTI-TIE DOWN OPTION	6
HC-7 WITH REAR FIXED HANDLE	7
HC-7 WITH SWIVEL HANDLE	8
HANDLE MOUNTING	9
HANDLE AND HANGER	10
BLADE MOUNTINGS	11
BLADES	12
CYLINDER	13
GENERAL INFORMATION	16
DECLARATION OF CONFORMITY	17
<i>Kentmaster Worldwide Location</i>	<i>18</i>
INDEX	19
FIGURES - INDEX	19

FIGURES - INDEX

Figure 1 MODEL HC-7– BLADE REPLACEMENT	4
Figure 2 644000: MODEL “HC-7” – MAIN ASSEMBLY	5
Figure 3 BOM FOR MODEL “HC-7”	6
Figure 4 HC-7 WITH REAR FIXED HANDLE	7
Figure 5 HC-7 WITH SWIVEL HANDLE	8
Figure 6 6640281: REAR FIXED HANDLE MOUNTING	9
Figure 7 6640500: SWIVEL HANDLE MOUNTING	9
Figure 8 6600530: AIR HANDLE, REAR	10
Figure 9 6640640: HANGER ASSEMBLY	10
Figure 10 6640370: BLADE MOUNTING, LEFT	11
Figure 11 6640380: BLADE MOUNTING, RIGHT	11
Figure 12 6640650: UPPER BLADE WITH BUSHING	12
Figure 13 6640640: MOVABLE BLADE WITH BUSHINGS	12
Figure 14 6560120: CYLINDER ASSEMBLY	13