

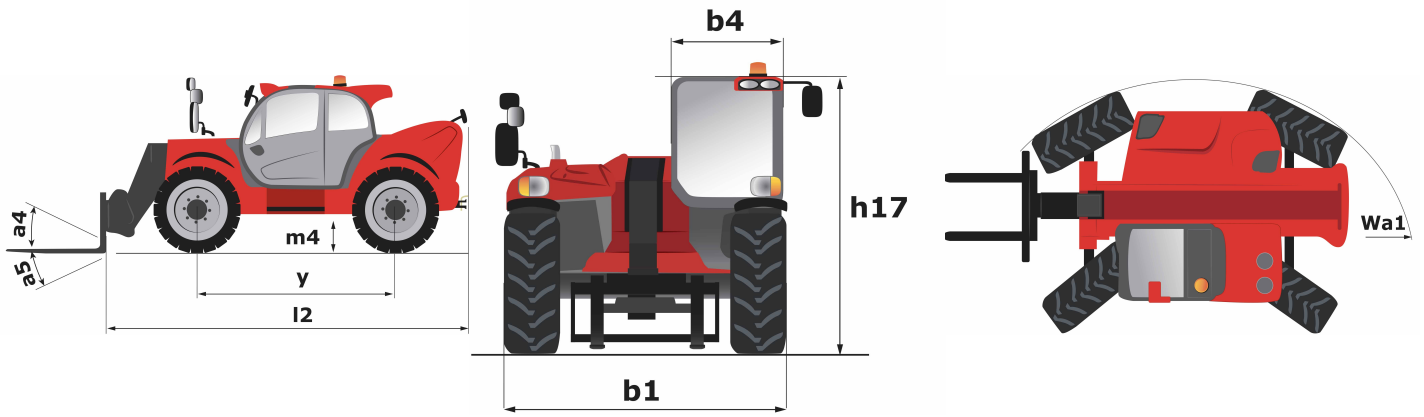
Technical sheet :

MHT-X 790



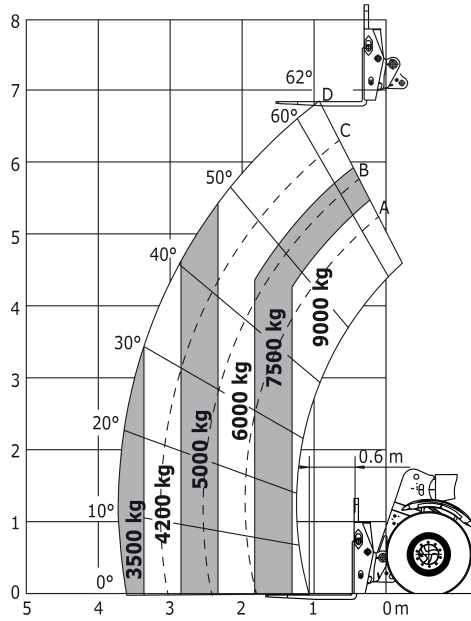
Capacities		Metric
Max. capacity	Q	9000 kg
Load centre of gravity	c	600 mm
Max. lifting height	h3	6.84 m
Max. Reach	l4	3.72 m
Weight and dimensions		
Unladen weight (with forks)		13160 kg
Ground clearance	m4	0.4 m
Wheelbase	y	2.87 m
Length to face of forks	l2	5.27 m
Overall width	b1	2.47 m
Overall height	h17	2.47 m
Overall cab width	b4	0.93 m
Tilt-down angle	a5	125 °
Tilt-up angle	a4	12 °
External turning radius (over tyres)	Wa1	4.88 m
Outer turning radius (with forks)	b15	5.59 m
Forks length / width / section	l / e / s	1200 mm x 200 mm / 60 mm
tires		
Standard tyres		Aeolus - TLAG P23 - 445/65 R22,5
Number of front wheels / rear wheels		2 / 2
Steering wheels (front / rear)		2 / 2
Drive wheels (front / rear)		2 / 2
Steering mode		2 wheel steer, 4 wheel steer, Crab mode
Engine		
Engine brand		John Deere
Engine norm		Stage III A
Engine model		4045PWX
Number of cylinders / Capacity of cylinders		4 - 4500 cm ³
I.C. Engine power rating / Power (kW)		137 Hp / 102 kW
Max. torque / Engine rotation		534 Nm@1500 rpm
Engine cooling system		Water
Battery / Batteries capacity		12 V / 180 Ah
Drawbar pull (Laden)		10905 daN
Transmission		
Transmission type		Hydrostatic
Number of gears (forward / reverse)		2 / 2
Max. travel speed		30 km/h
Parking brake		Automatic Negative Hand-brake
Service brake		Hydraulic
Hydraulics		
Hydraulic pump type		Load sensing pump
Hydraulic flow - Pressure		180 l/min - 270 Bar
Tank capacities		
Engine oil		13 l
Hydraulic oil		151 l
Fuel tank		150 l
Noise and vibration		
Noise at driving position (LpA)		79.7 dB(A)
Noise to environment (LwA)		103 dB(A)
Vibration on hands/arms		< 2.5 m/s
Miscellaneous		
Safety / Safety cab homologation		Standard EN 15000 - ROPS - FOPS cab (level 2)
Controls		JSM

Dimensional drawing



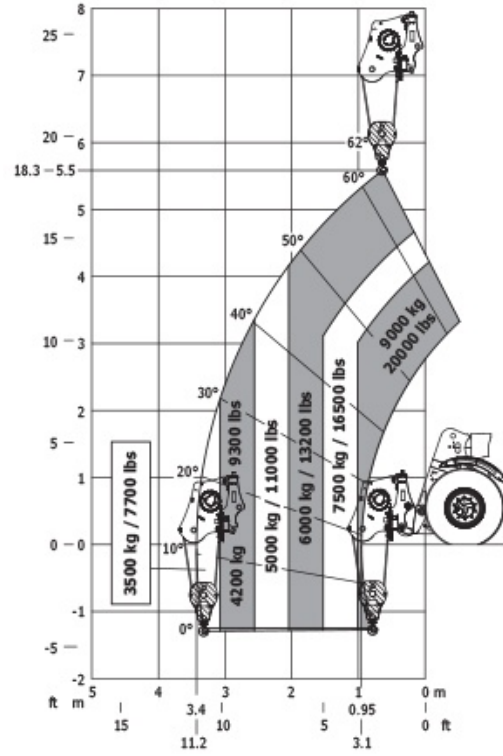
Load chart

Machine on tyres with forks LC 600 mm Metric

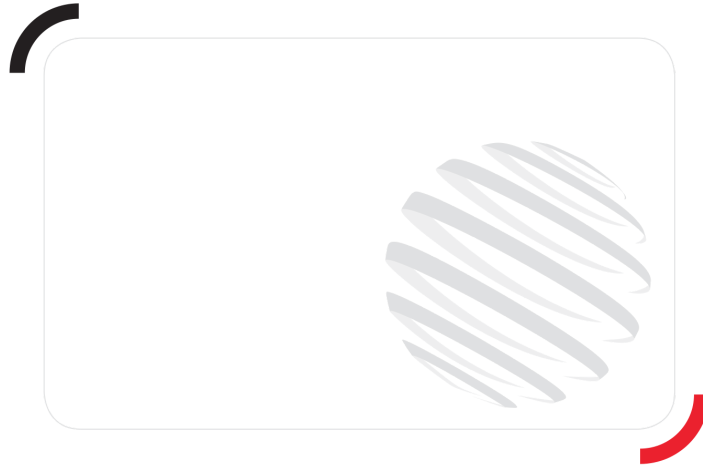


ANNEXE B

Machine on tyres with winch Metric



Machine on tyres with jib Metric
MHT-X 790



Siège Social
430 rue de l'Aubinière - 44150 Ancenis Cedex - France
Tel: +33(0)2 40 09 10 11 - Fax: +33 (0)2 40 09 10 97
www.manitou.com



This brochure describes versions and configuration options for Manitou products which may be fitted with different equipment. The equipment described in this brochure may be standard, optional or not available depending on version. Manitou reserves the right to change the specifications shown and described at any time and without prior warning. The manufacturer is not liable for the specifications given. For more information, contact your Manitou dealer. Non-contractual document. Product descriptions may differ from actual products. List of specifications is not comprehensive. The logos and visual identity of the company are the property of Manitou and may not be used without authorisation. All rights reserved. The photos and diagrams contained in this brochure are provided for information only.

MANITOU BF SA - Limited company with board of directors - Share capital: 39,668,399 euros - 857 802 508
RCS Nantes