

SCOUT

814WUAX200P60 180°

EAN 4031582428636

Swivel castor with automatic directional stability and wheel brake, plate fitting. Wheel centre made of Polyamide, Tread: Polyurethane, with threadguards, precision ball bearing, sealed



BETTER MOBILITY. BETTER LIFE.



Picture may differ from original product

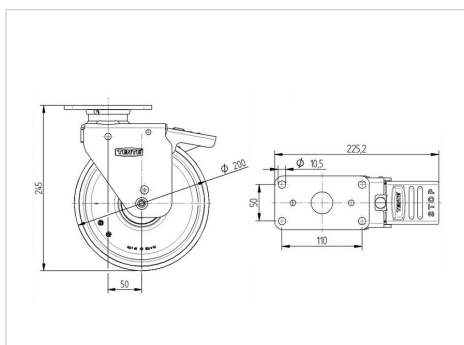
Technical Data

Wheel diameter	200 mm
Width of Tread	40 mm
Castor width	74 mm
Size of Plate	130 x 74 mm
Plate hole centres	110 x 50 mm
Plate hole	10,5 mm
Offset	50 mm
Swivel Interference	324 mm
Overall height	245 mm
Temperature	-40 / +80 °C
Weight	3.201 kg
Swivel Radius	162 mm
Hardness of tread	Shore A 95
Load capacity	250 kg

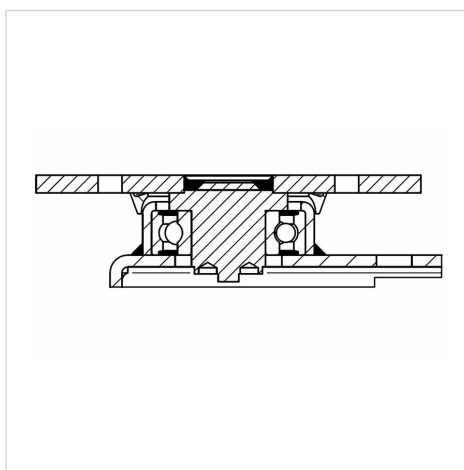
Advantages at a glance

Roll performance	● ● ● ○ ○
Movement noise	● ● ● ○ ○
Attrition	● ● ● ● ○
Corrosion resistance	● ● ● ○ ○

Dimensions



Structure & Mounting



SCOUT

814WUAX200P60 180°

EAN 4031582428636



BETTER MOBILITY. BETTER LIFE.

Structure & Mounting

