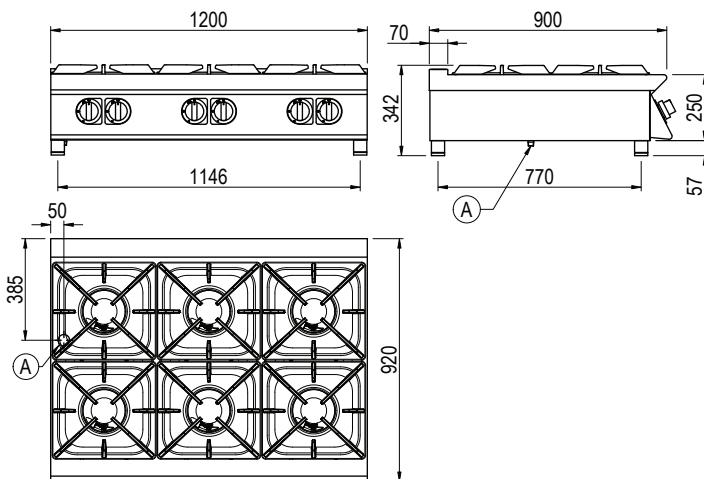




Product Information:

- Class leading, European style, professional quality and reliability since 1963
- 900 series, high performance open burners (6 x 36 MJ/h)
- Black enamelled cast iron trivets; acid, alkaline and flame resistant with extra long fingers to allow use with small and large pots
- Open burners complete with flame failure device and pilot burner, both heavily protected against accidental impact and overflows
- Open burner temperature regulation via variable power flame control
- Robust 304 grade stainless steel construction with rounded corners for improved cleaning
- Hermetically sealed, pressed work surface with raised edges to protect from overflow
- 24-month warranty

General Drawing:



Specifications:

| | | |
|---|-------------------|-------------------|
| Model | CG960TT | |
| W x D x H (mm) | 1200 x 920 x 342 | |
| Weight | 100kg | |
| Packed Dimensions (mm) | 1250 x 1025 x 570 | |
| Packed Weight (mm) | 117kg | |
| Gas Connection | Natural | Universal LPG |
| Minimum Normal Test Gas Pressure | 1/2" BSP 1.3 kPa | 1/2" BSP 2.75 kPa |
| Maximum Normal Test Gas Pressure | 3.5 kPa | 3.5 kPa |
| Nominal Test Point Pressure | 1.0 kPa | 2.65 kPa |
| Total Nominal Gas Consumption | 216 MJ/h | 216 MJ/h |

Note: It is the responsibility of the installing gas plumber to ensure correct supply and connection sustaining appropriate pressure, when all installed gas appliances are operating at maximum.

Legend:

A Gas Connection