

NDF180

Dual Fuel Burner

1125kW 4450kW



NDF180 Dual Fuel Burner features:

- Burner mounted control panel
- Simple switch changeover between fuels
- 2-stage control (high/low) NDF35-100
- Designed and approved in accordance with the European Standard EN 676 and EN267
- NDFL - Class 'D' oil 5.5 cSt @ 40°C
- NDFR - Class 'G' oil 40 cSt @ 100°C
- Fully closing air damper
- Oil Heater – Burner mounted pumping & heating unit included with burner to heat oil for atomisation for NDFR
(Intermittent operation during standby to maintain oil temperature for immediate restart)
- NDFR burners require a pre-heated ringmain oil supply, minimum temperature @ 83°C for Class 'G' oil
- All kW ratings are nett CV
- Suitable for high resistance boilers
- Industry standard components easily available
- Options Extras:
 - Modulating control (Std on NDF100-41 and above)
 - Air inlet silencer (Std on NDF100-41 and above)
 - Acoustic cover (wheel-over)
 - Water level control panel (AOTC)
 - Free-standing pumping & heating unit



For more information on all Nu-way products
please visit www.nu-way.co.uk



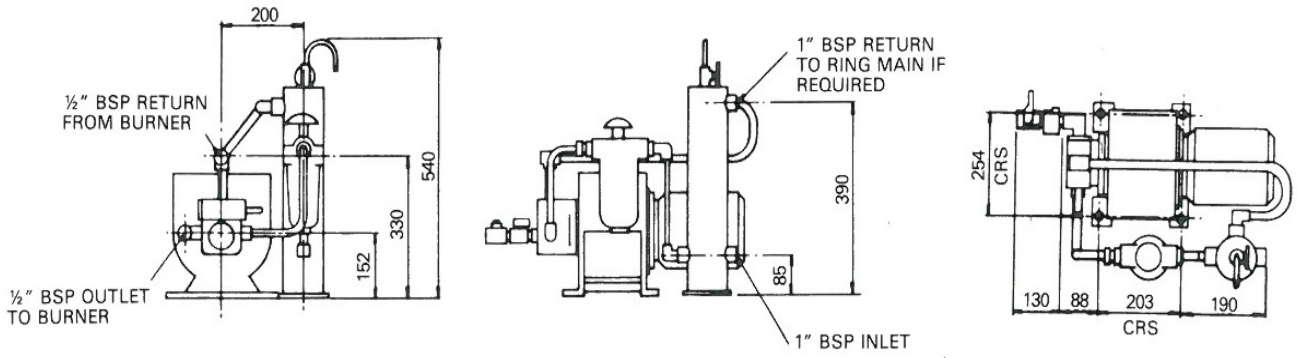
NDFL – DISTILLATE FUEL MODULATING		
Separate Panel and Pump Unit		
Burner Type		NDFL180-44
Capacity	kW	1125-4450
Fan Motor	V/ph/Hz	380-420/3/50
	kW	15.0
Run Current	A/each phase	31.0
Cable size	mm ²	10.0
Fuse	A (HRC)	50
Pump Motor	kW	1.5
Control unit		LFL
Flame monitoring		UV Cell
Control Options		Modulating
Air damper motor		Standard
Pressure gauge		Standard
Noise	@ 1m dBA	96
Gross weight	kg	420
Packing dimensions	l x w x h (cm)	

Other electrical supply options available on request.

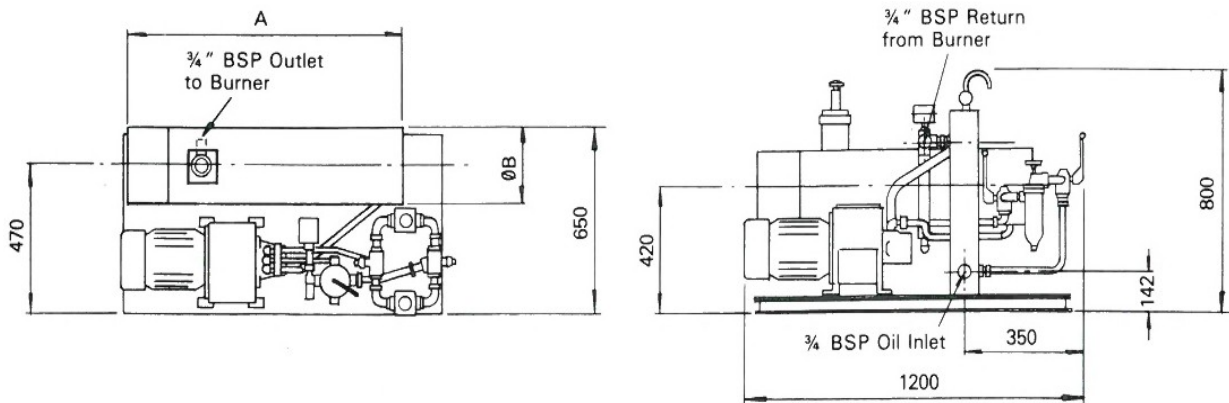
NDFR – RESIDUAL FUEL MODULATING		
Separate Panel and Pumping & Heating Unit		
Burner Type		NDFR180-44
Capacity	kW	1125-4450
Fan Motor	V/ph/Hz	380-420/3/50
	kW	15.0
Run Current	A/each phase	48.0
Cable size	mm ²	16.0
Fuse	A (HRC)	80
Pump Motor	kW	1.5
Pre-Heater	kW	12.0
Control unit		LFL
Flame monitoring		UV Cell
Control Options		Modulating
Air damper motor		Standard
Pressure gauge		Standard
Noise	@ 1m dBA	96
Gross weight	kg	520
Packing dimensions	l x w x h (cm)	

Other electrical supply options available on request.

All data calculated at 415 volts. Motors are 2 pole. Distillate fuel burners are monobloc. Residual fuel burners have separate pumping and heating units. Modulating burners have separate control panel. Motors 5.5kW and over are star delta start. 1 kW = 1.34 HP. Run currents are for oil firing when on gas, this will be reduced to burner motor only unless oil is circulated.



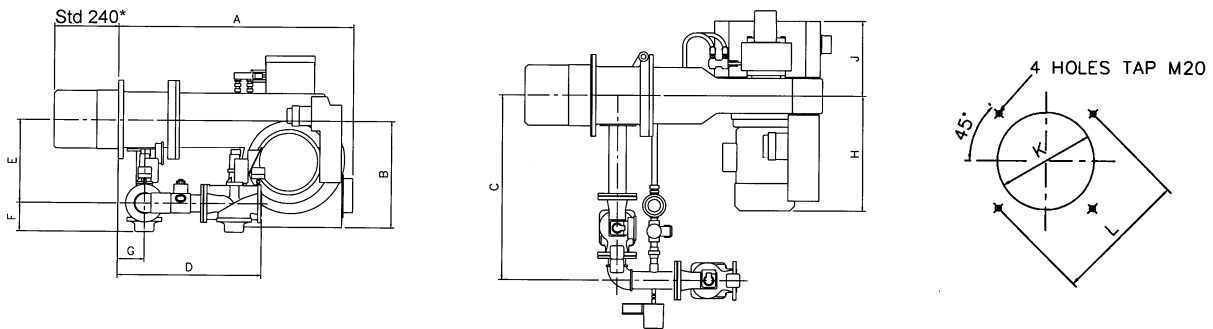
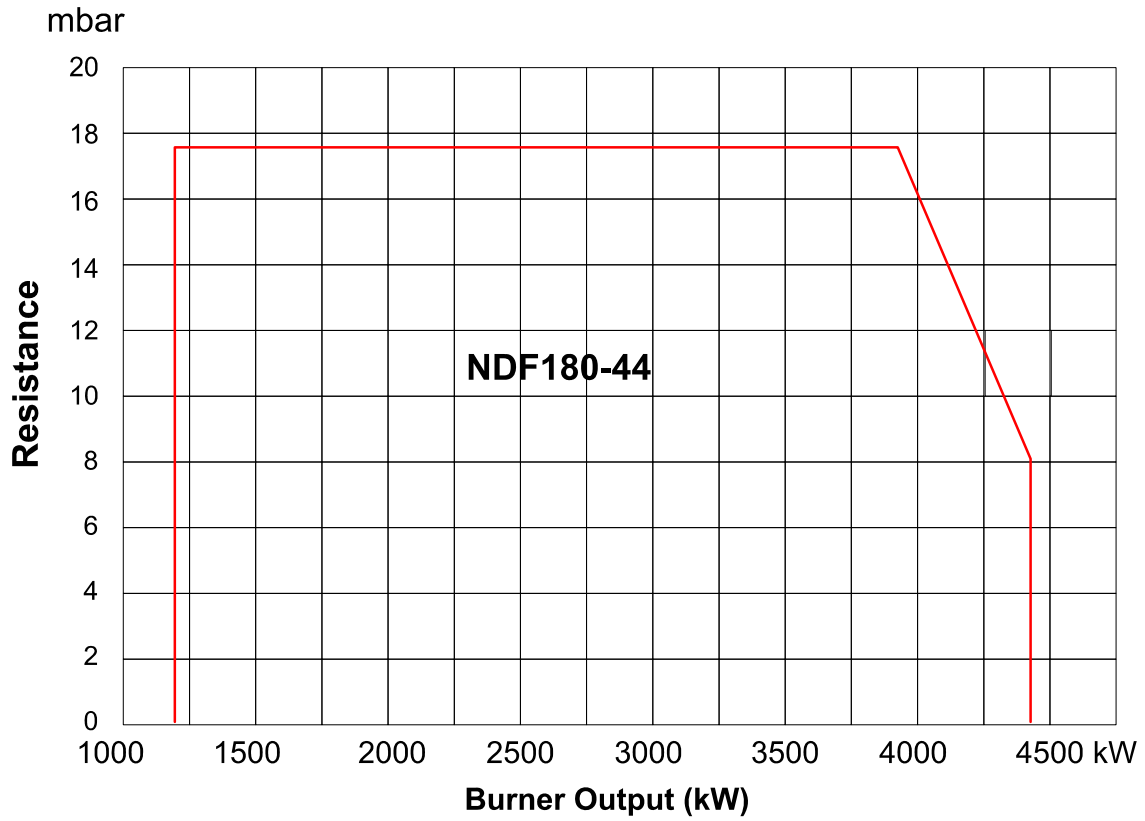
NDFL Modulating: Pump Unit



kW	Dim A	ØB
4.5 & 6.0	692mm	155mm
7.5 & 9.0	684mm	224mm
12.0	586mm	224mm

NDFR Modulating and Sliding High/Low: Pump Unit

BURNER SELECTION CHART



Burner	A	B	C	D	E	F	G	H	J	K	L
NDF180-44	1245	560	925	760	410	165	141	600	385	350	454

Enertech Limited, P O Box 1, Vines Lane
Droitwich, Worcestershire, WR9 8NA

tel: +44 (0) 1905 794331 • fax: +44 (0) 1905 794017
email: info@nu-way.co.uk • web: www.nu-way.co.uk

