

Assembly Instructions

**Mobile Lead Apron Rack
for 5 Vests and Skirts**



Mobile Lead Apron Rack for 5 vests and skirts

Key Benefits

Maximum Durability

- Crafted from top-quality, thick steel to withstand the test of time.
- Capable of holding up to 150kg without bending or breaking, it offers unbeatable strength.

Unmatched Safety

- Solid base ensures stability, preventing tipping and injuries.
- Secure hooks keep aprons firmly in place.
- Ergonomic height (130 cm) reduces strain, making it easier to hang and retrieve aprons.

Effortless and Time-Saving Organisation

- Offering a simplified workflow with dedicated rods for tops and skirts, matching the order of wear and removal.
- Additional rails for x-ray accessories like thyroid collars and sleeves.

All-Time Mobility

- Designed for ease of movement, the hospital-grade castor wheels glide effortlessly across rooms and locations.
- With strong brakes for secure positioning.

Hassle-Free Maintenance

- Smooth, powder-coated finish resists rust and corrosion.
- Wipes down quickly for hassle-free maintenance.

Space-Saving Design

- Compact footprint ideal for smaller clinics or hospitals.
- Holds up to 5 aprons while occupying minimal floor space.

Extended Apron Lifespan

- Prevents folding, wrinkling, and creasing.
- Prolongs apron durability, saving costs of frequent replacements.



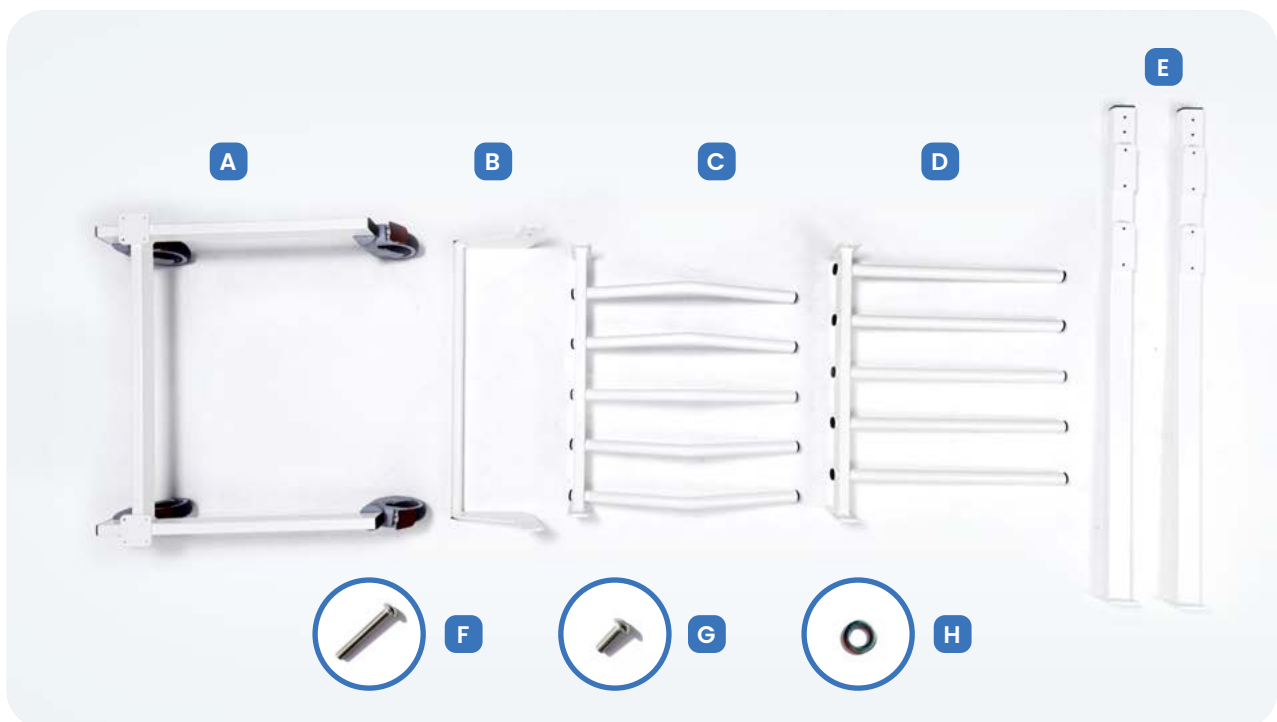
Parts list and assembly tools

Parts

- | | |
|---|--------------------------------|
| A Rack base with 4 wheels | E 2 side upright poles |
| B Top accessories bar | F 12 screws (M6 x 40mm) |
| C Upper cross bar (for 5 vests) | G 8 screws (M6 x 16mm) |
| D Lower cross bar (for 5 skirts) | H 20 washers |



HEAVY PARTS:
2 people are
required for
assembly!



Assembly Tools

- | | |
|-----------------------------------|--|
| I Provided Allen key (4mm) | J Power Drill with Allen Key size 4mm |
|-----------------------------------|--|

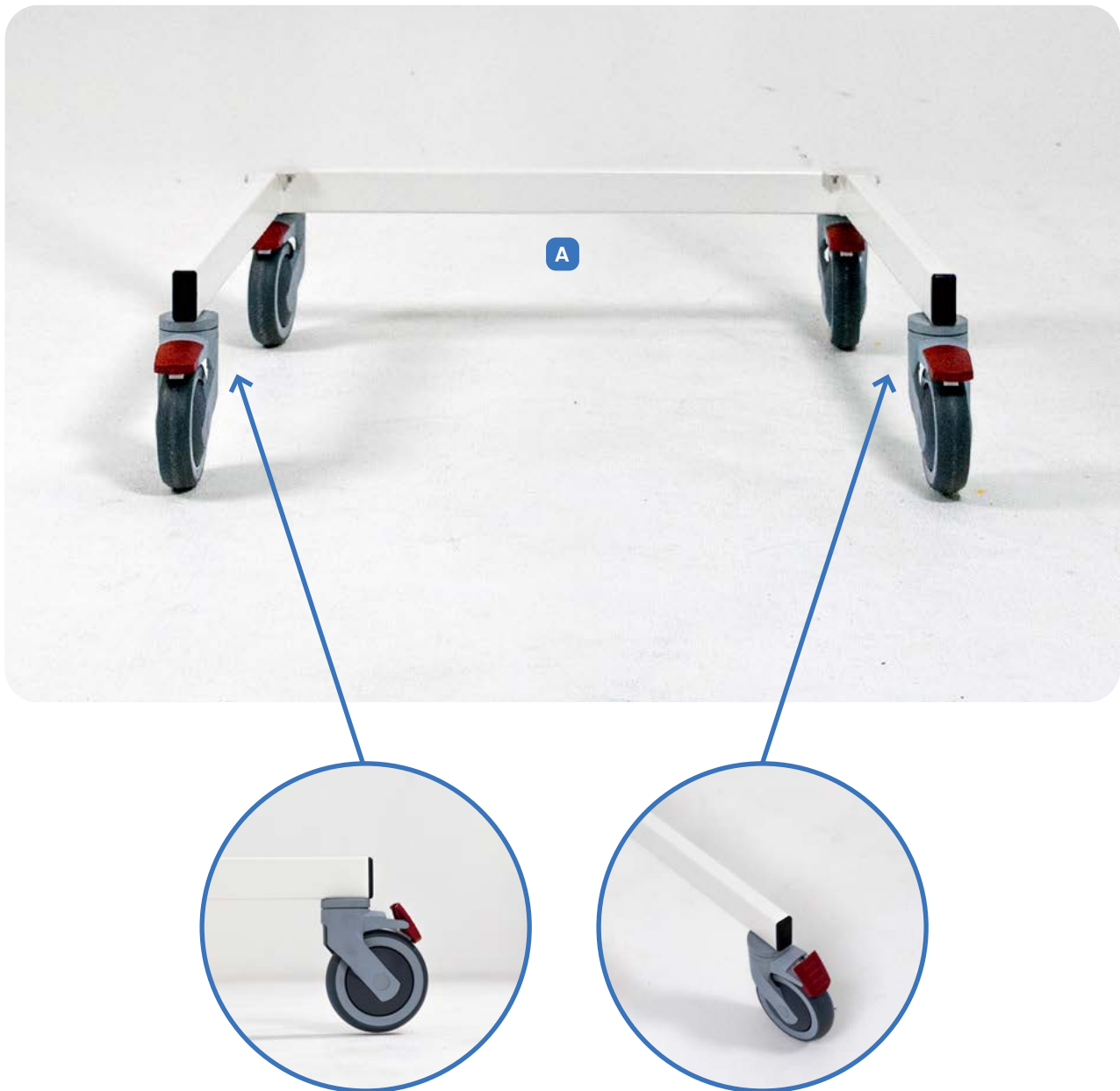
Assembly Time:

- K** 15 to 30 minutes



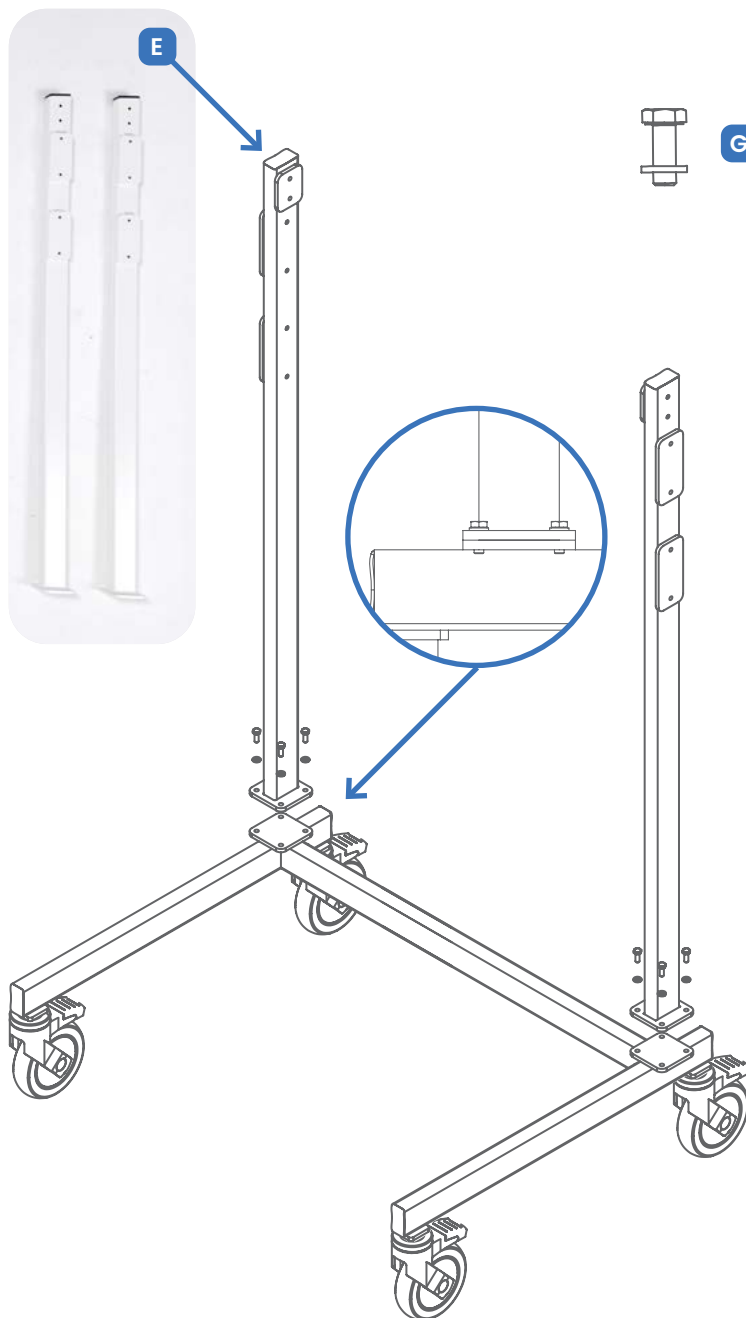
Step 1: Attaching the poles to the rack base

Place rack base with 4 wheels on the floor. Lock the wheel brakes so the rack base cannot move around during assembly process.



Step 2: Attach the vertical poles to the rack base

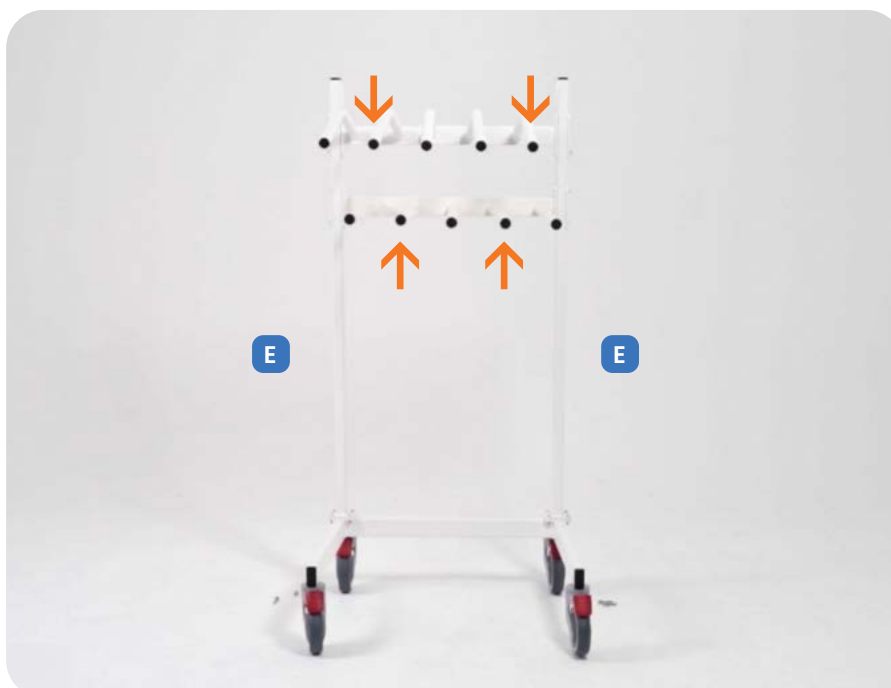
Take 4 screws (Part G) and screw the upright poles to the rack base.



Step 3: Attach the lower (D) and upper (C) cross bars to the side poles (E)



The upper and lower hanger bars are assembled in an offset way to prevent vests and skirts from overlapping.



Step 4: Attach and secure the lower cross bar (D)



This assembly requires two people to ensure the cross bar is held steady during the assembly process.

Position the Lower Cross Bar (D):

- Take Part D (the lower cross bar used to hang skirts).
- Place Part D between the left and right upright poles (E).



Attach the Cross Bar (D) to the Side Upright poles (E):

- While one person holds Part D in place, the other person should proceed with the screws.
- Use 4 screws (F: M6 x 40mm) to attach Part D to the upright poles (E).



Insert the long screws (F) from the outside of the upright poles (E), going towards the inside.



Insert the Screws:

- Insert the screws (F) from the outside of the upright poles (E), going towards the inside.
- Make sure the screw caps are facing outward.

Tighten the Screws (F)

- Securely tighten the screws (F) on both the left and right sides until they are firm.

Step 5: Attach and secure the upper cross bar (C)



This assembly requires two people to ensure the cross bar is held steady during the assembly process.

Position the Upper Cross Bar (C):

- Take Part C (the upper cross bar used to hang vests).
- Place Part C between the left and right upright poles (E).



Attach the Cross Bar (C) to the Side Upright poles (E):

- While one person holds Part C in place, the other person should proceed with the screws.
- Use 4 screws (F: M6 x 40mm) to attach Part C to the upright poles (E).



Insert the Screws:

- Insert the screws (F) from the outside of the upright poles (E), going towards the inside.
- Make sure the screw caps are facing outward.



Insert the long screws (F) from the outside of the upright poles (E), going towards the inside.

Tighten the Screws (F):

- Securely tighten the screws (F) on both the left and right sides until they are firm.



Lower (D) and upper (C) are now correctly attached to upright poles (E)



Step 6: Attach the top accessories bar (B) to the top of the upright poles

Position the Top Accessories Bar (B):

- Take Part B (the accessories bar to hang collar, belts, etc).
- Position Part B over the left and right upright poles (E).



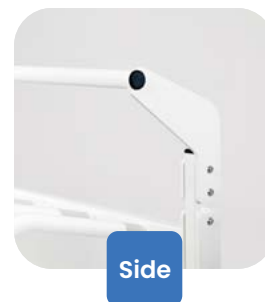
Attach the Top Accessories Bar (B) to the Upright Poles (E)

- While one person holds Part B in place, the other person should proceed with the screws.
- Use 4 of the long screws (F) to attach Part B to the upright poles (E).



Insert the Screws:

- Insert the screws (F) from the outside of the poles (E), going towards the inside.
- Make sure the screw caps are facing outward.



Tighten the Screws (F):

- Securely tighten the screws (F) on both the left and right upright poles until they are firm.

Correctly assembled rack



Deutsch Medical T/A Safeloox

PO Box 407, Carnegie VIC 3163, Australia

 1300 766 854

 hello@safeloox.com

 safeloox.com.au



Tired of messy,
creased aprons?

**Discover our
Australian-made
apron racks**

The smart & time-saving
way to store lead aprons



SCAN OR
CLICK TO
DISCOVER

