

RP1RS**18 Tray Reach-in Retarder Prover**

RP1RS

Product Features

- Full stainless steel construction internal and external
- Swing door fitted as standard
- Easy to use electronic panel
- Fitted with 18 removable tray slides
- 80mm gap between tray slides
- Humidity adjustable up to 100%
- Suitable for trays sized 457mm x 735mm and 405mm x 735mm
- Refrigeration adjustable down to -2°C
- Temperature adjustable up to 40°C
- Supplied on wheels

Sourced from the leading equipment manufacturers globally, the Paramount brand is renowned for quality equipment at an affordable price point. With a range including spiral dough mixers, hydraulic dividers, bun divider rounders, provers, deck and rotating ovens, bread slicers, planetary mixers and dough sheeters, Paramount offers solutions to your production requirements. Designed to withstand the demands of the modern bakery environment, the Paramount brand offers many years of trouble free operation.

A critical component in the quality of baked finish goods, our quality range of provers and retarder provers provide controlled climates with adjustable temperature and humidity settings.

RP1RS

18 Tray Reach-in Retarder Prover

Model RP1RS

Dimensions

Width	780mm
Depth	1150mm
Height	2180mm

Electrical Requirements

220-240V, 1P+N+E, 50Hz, 15amp

Nett Weight 110kg

Additional Information

Dimensions EXCLUDE all protrusions - door handles, drain, exits etc...

Minimum ceiling height required - 2200mm

Supplied fully assembled

Units require the following:

- Drain Outlet
- 1/2" BSP Inlet

moffat.com.au

moffat.co.nz

Australia

moffat.com.au

Moffat Pty Limited

Victoria/Tasmania

740 Springvale Road

Mulgrave, Victoria 3170

Telephone +613-9518 3888

Facsimile +613-9518 3833

vsales@moffat.com.au

New South Wales

Telephone +612-8833 4111

nswsales@moffat.com.au

South Australia

Telephone +613-9518 3888

vsales@moffat.com.au

Queensland

Telephone +617-3630 8600

qldsales@moffat.com.au

Western Australia

Telephone +618-9413 2400

wasales@moffat.com.au

New Zealand

moffat.co.nz

Moffat Limited

Rolleston

45 Illinois Drive

Izone Business Hub

Rolleston 7675

Telephone +64 3-983 6600

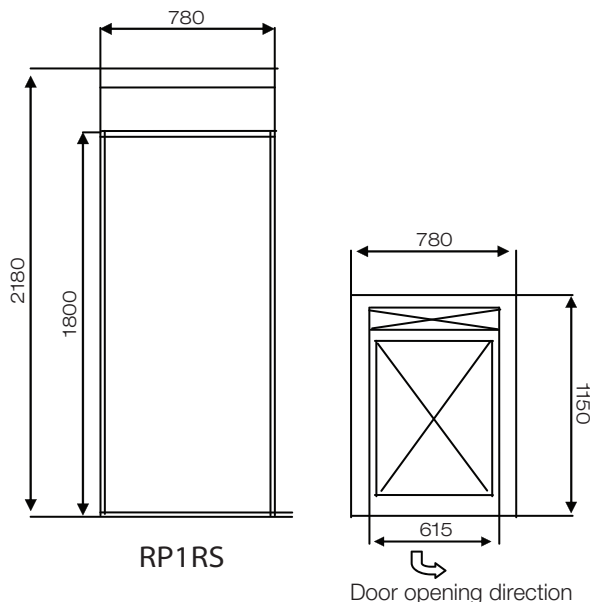
Facsimile +64 3-983 6660

sales@moffat.co.nz

Auckland

Telephone +64 9-574 3150

sales@moffat.co.nz



In line with policy to continually develop and improve its products, Moffat Limited reserves the right to change specifications and design without notice.

© Copyright Moffat Ltd
AN.P.01.21