

primus

laundry equipment

PROFESSIONAL WASHER EXTRACTOR

NF3JG
Washer

10kg



FEATURES WASHER EXTRACTOR

- Stainless steel outer and inner drum
- Industry-leading 440 GForce extraction removes more moisture, minimizing drying times and utility costs
- Totally freestanding: can be installed on any floor and any level
- Suspension with new out-of-balance logic
- Soap box with four compartments
- Door opens 180° for easy loading and unloading
- Standard with drain pump, drain valve optionally available
- Top, front and side panels standard available in anthracite grey
- Electrical heating or boiler-fed
- 6 wash programs
- Possibility of programming cycle modifier options
 - » Added prewash » Extra wash time » Extra rinse
- LED indication of the status of the program
- Time remaining countdown



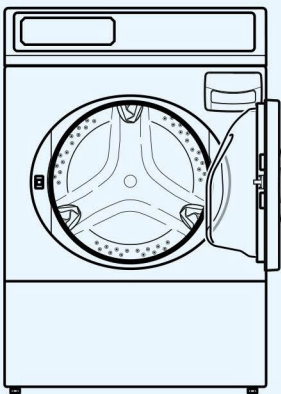
COMPACT
DESIGN



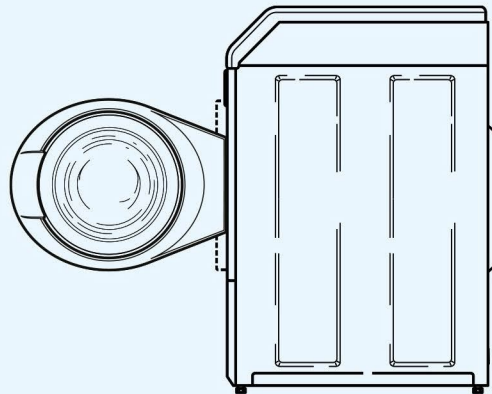
EASY
OPERATION

TYPE		NF3JG Washer
CAPACITY	kg	10
DRUM VOLUME	l	96,8
MOTOR		
Frequency controlled	kW	0,67
EXTRACTION SPEED	rpm	1200
G-FACTOR		440
ELECTRICAL CONNECTION		
		1x220-240V 50Hz 3x220-240V 50Hz 3x380-415V+N 50 Hz
ELECTRICAL HEATING	kW	4,8
DRAIN		
Pump		standard
Drain valve		available
DIMENSIONS		
HxWxD	mm	1027x683x704
Net weight	kg	113
TRANSPORT DATA		
Volume (packed)	m ³	0,71
Packed HxWxD	mm	1150x760x860
Gross weight	kg	122

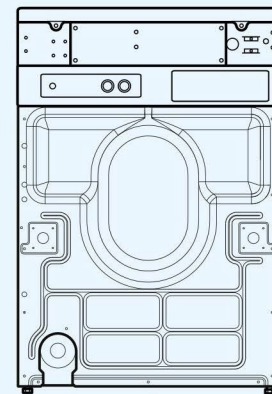
NF3JG Front View



NF3JG Side View



NF3JG Back



The Primus preserves the right to change the machines and the specification in this leaflet at any time, without prior notice. Details and photographs are only for information and never binding.

www.primuslaundry.com

