

JA120 DOME

PreAssembled

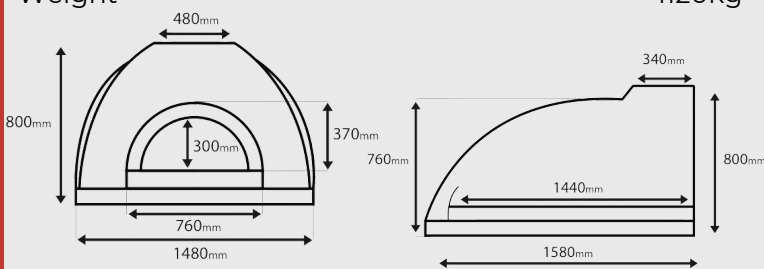
WHATS INCLUDED

- Cement/Clay Oven
- Reinforced Cement Base
- Stainless Steel Front Slab Cover
- Stainless Steel Flue & Cap
- Black Powder Coated Oven Door
- Stainless Steel/Alloy Pizza Paddle
- Recipe eBook
- Oven Stand/Stillage (Preassembled only)
- Assembly Instructions (DIY Kit only)
- 1 Year Warranty (Conditions Apply)



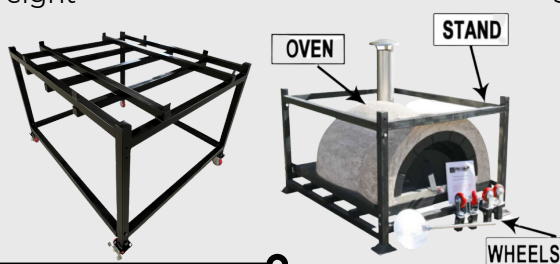
EXTERNAL DIMENSIONS

| | |
|-------------------------------|----------|
| Width (left to right) | 1480mm |
| Length (front to back) | 1580mm |
| Dome Height | 800mm |
| Outer Arch Width | 760mm |
| Outer Arch Height | 370mm |
| Flue Base Width | 380mm |
| Front Height | 800mm |
| Front Width | 1470mm |
| Dome Thickness | 50mm |
| Insulation Render Thickness | 70-100mm |
| Weight | 1120kg |



STAND/STILLAGE DIMENSIONS

| | |
|---------------------------|--------|
| Width (left to right) | 1647mm |
| Length (front to back) | 1756mm |
| Height (excluding wheels) | 1031mm |
| Stand Weight | 80kg |
| Wheel Height | 134mm |
| Wheel Weight | 3kg |

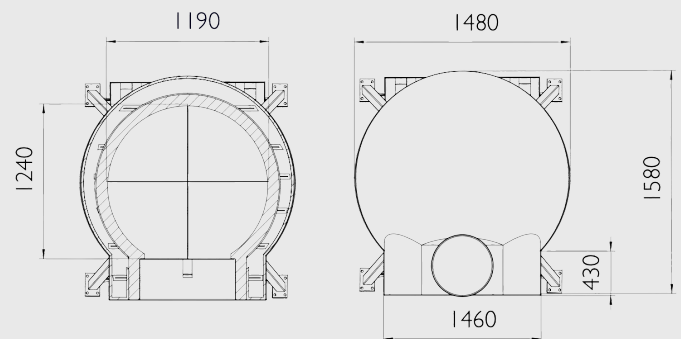


INTERNAL DIMENSIONS

| | |
|------------------------|--------|
| Width (left to right) | 1190mm |
| Length (front to back) | 1440mm |
| Dome Height | 740mm |
| Inner Arch Width | 760mm |
| Inner Arch Height | 300mm |
| Floor Brick Thickness | 38mm |

INTERNAL COOKING AREA

| | |
|------------------------|--------|
| Width (left to right) | 1190mm |
| Length (front to back) | 1240mm |



FLUE DIMENSIONS

| | |
|-------------------|--------|
| Flue Height | 1000mm |
| Flue Diameter | 150mm |
| Flue Cap Diameter | 275mm |

DIY KIT AVAILABLE

Box Dimensions

| | |
|------------------------|----------------------|
| Width (left to right) | 1120mm |
| Length (front to back) | 1170mm |
| Height | 970mm |
| Weight | 765kg |
| Minimum Base Suggested | 14800(W) x 1580(L)mm |



Stand / Stillage not included with kits