



# Complete Commercial Catering Equipment

ABN 63 052 427 719



where quality and performance  
go hand in hand

## VOLCANIC ROCK CHAR GRILLS



CHG - 450

- Heavy duty frame.
- Bench mounted or stand made to suit.
- Cast iron burners and grates.
- Pilot & flame failure to all burners.
- Stainless steel exterior.
- Various size available.

 P.O. Box 230, Tullamarine VIC 3043

 3 Pauljoseph Way, Truganina VIC 3029

 (03) 9334 5999

 ccce@bigpond.net.au

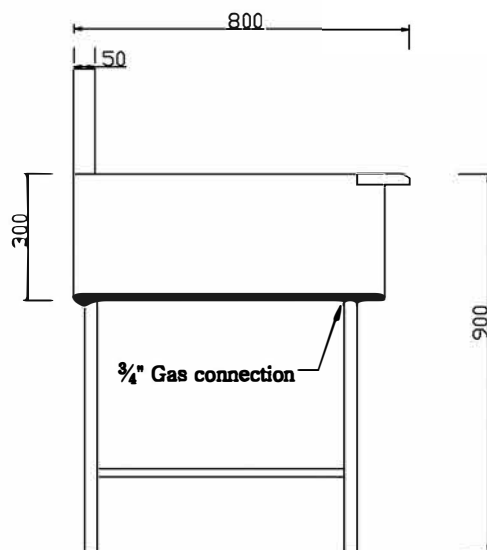
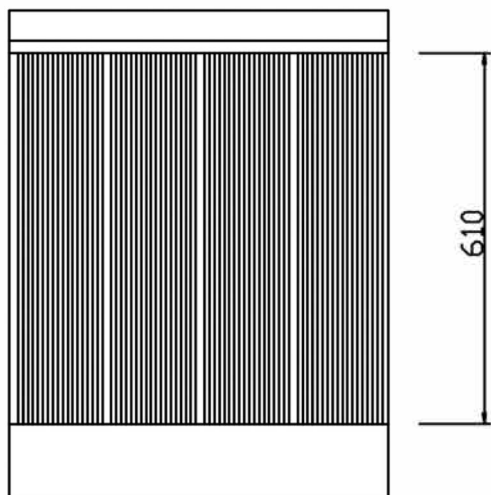
 [www.completecommercial.com.au](http://www.completecommercial.com.au)



[www.completecommercial.com.au](http://www.completecommercial.com.au)

# Volcanic Rock Char Grill

(width depends on model)

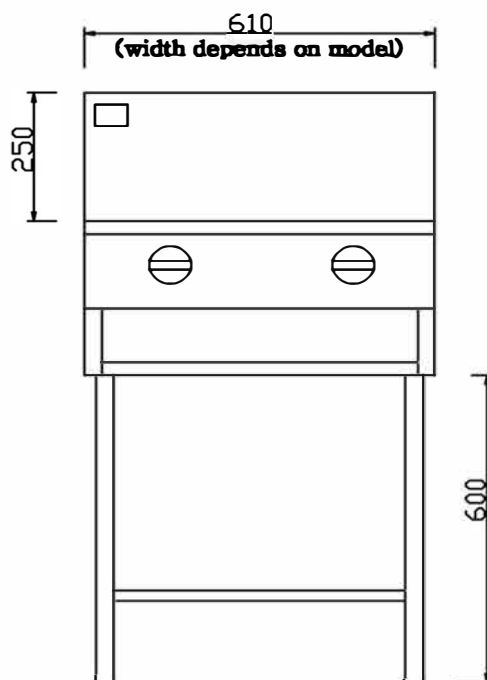


## Char Grills

Model	MJ Rating
CHG - 300	32
CHG - 450	48
CHG - 600	64
CHG - 750	80
CHG - 900	96
CHG - 1200	112

**Note: Cooking area**

Char Grates – 610mm long



We also produce a large range of custom-made equipment for the catering industry.

- Wok Tables      •Stock Pot Unit      •Oven Ranges
- Fryers          •Boiling Burners      •Grill Plate
- Combination Griller Toaster      •Stainless steel bench & Canopy

Complete Commercial  
Catering Equipment



[www.completecommercial.com.au](http://www.completecommercial.com.au)