



healthtec

Supporting you

1300 362 923

www.healthtec.com.au

TREATMENT RANGE

Treatment Table – Three Section

Ideal for Physiotherapy, Massage, Acupuncture and Osteopathy techniques

The X-Frame design offers a sturdy work surface with no longitudinal movement meaning the tables take up less operational space than any other table similar to their size on the market.

The adjustable head section which includes a nose hole can be slightly lowered enabling the prone lying patient to fully relax the neck muscles giving optimum comfort while the adjustable backrest section enables the table to turn into a chair for when you need your clients in a seated position.



FEATURES

- Electric height adjustment with footswitch
- X-Frame lift action minimises pinch & crush points
- Heavy duty independently lockable castors
- Durable powder coated rust resistant frame
- High quality anti-microbial vinyl & CFC free foam
- Australian designed & manufactured

SPECIFICATIONS

WIDTH	610mm
LENGTH	1840mm
FOAM	50mm Enduro Foam
VINYL	PVC (tested to AS1530.3)
HEIGHT RANGE	450mm to 950mm
HEIGHT SPEED	Full height in 16 seconds
LIFT CAPACITY	250kg (moving)
SAFE WORKING LOAD	400kg (stationary)
BASE	SX X-Frame with castors Also available with LynX base
CONTROLLER	Footswitch
WARRANTY	5 year Electrical Lifetime Structural (parts only)



The Healthtec Warranty

Healthtec offers a lifetime warranty on all our manufactured tables and a five year warranty on motors and foot switches from date of purchase. Original suppliers warranty applies.

ARTG 132667

© August 2018





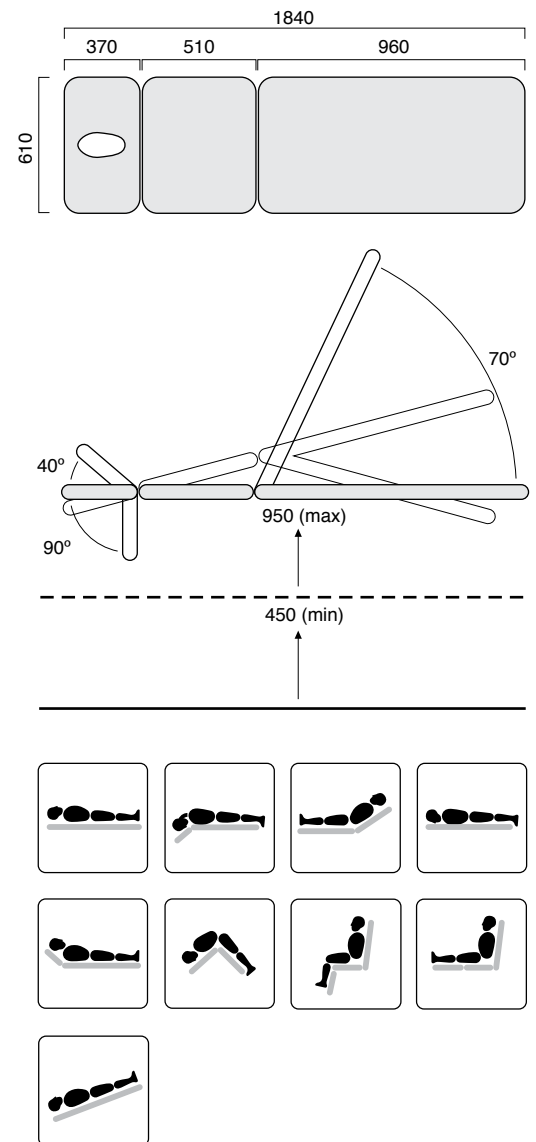
Supporting you

www.healthtec.com.au

PRICE SHEET

Treatment Table – Three Section

	CODE	QTY
Product Description		
SX Treatment Table (610 wide) — Three Section w/Castors	50031T-6	
SX Treatment Table (610 wide) — Three Section w/Castors and Electric Postural Drainage	50031T-6-PD	
Foam and Vinyl Options		
Non-Stock Vinyl Upgrade	6018	
75mm Comfort Foam Upgrade	6005	
Width Options		
660mm Width Option	-65	
710mm Width Option	-70	
Head Section Options		
Nose Hole Plug	6010	
Examinations Options		
Procedure Arm	5102	
Gynae Leg Supports	5114	
Castor Options		
SX Hoist Access (140mm Clearance)	6028	
Central Locking Castor Option	6037	
Motor & Footswitch Options		
Electric Operated Back Rest	6031	
Electric Operated Head Rest	6033	
Hi-Lo Fast Motor Upgrade	6049	
Additional Single Footswitch (Hi-Lo Function)	6020	
Additional Double Footswitch (for electric operated head or backrest)	6024	
Additional Six Button Footswitch (Hi-Lo, Electric Backrest & Headrest Functions)	6040	
Table Protection		
Paper Towel — Roll Holder	6017	
Extended Warranty		
10 years on Electrical	7800	
Freight		
Freight charges are not included in our prices. Please contact your Healthtec representative for freight costs and options.		
Shipping Dimensions	2050mm x 850mm x 6750mm	
Shipping Weight	80kg	



FRECALL
1300 362 923
 info@healthtec.com.au



Healthtec Pty Ltd ABN 94 224 518 379 ARTG 132667
 © August 2018

Disclaimer: Due to our policy of constant product improvement, specifications may change without notice. Check with us for the latest specifications and pricing.