

9KG FRONT-LOAD WASHERS



MHN33



DURACORE DRIVE SYSTEM

- DuraCore Drive System is designed and tested to run 15,000 cycles*
- Watertight, flexible triple-lip seal with garter spring keeps moisture away from the shaft, protecting the premium bearings
- Durable shaft sleeve is designed to eliminate shaft wear



INTELLIGENT CONTROLS WITH M-SERIES TECHNOLOGY

- Offer flexibility and individual cycle pricing options for optimal earnings
- One-touch cycle selection allows end users to easily choose their preferred wash selection
- Built-in diagnostics help streamline service calls



ADVANCED SPIN TECHNOLOGY

- Delivers more consistent cycle times**
- Offers automatic load balancing through a six-point suspension to provide optimal stability for the entire wash unit



BUILT TO LAST

- Front-access panel — easy to remove, which streamlines service by providing fast access to internal components
- Heavy-duty die-cast door hinge — opens 180° and is built to withstand the rigors of commercial laundry
- Accelerometer — takes an accurate reading of cabinet vibration to reduce out of balance loads and ensure fast final spin speeds
- Durable soap dispenser — its sturdiness adds to the machine's overall durability



CARD READER COMPATIBLE

- Order your new washer as Card Only to prevent vandalism and increase safety on site.
- Never have to worry about where the gold coins from your laundry end up with real time reporting and payment deposited straight into your nominated bank account.



**COIN DROP OR
CARD READER READY**
MHN33PD (pictured)



NON-COIN
MHN33PN (pictured)

9kg Front-Load Washer Models	
Payment Configuration	Model Number
Coin Drop or Card Reader Ready	MHN33PD
Non-Coin	MHN33PN



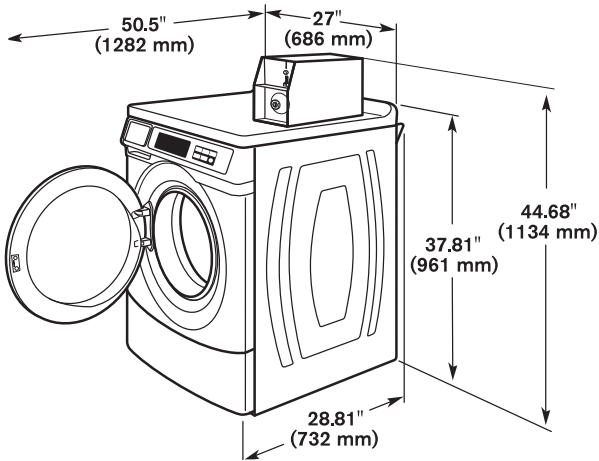
See maytagcommerciallaundry.com for warranty details.

9KG FRONT-LOAD WASHERS

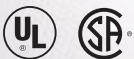


MHN33

SIDE VIEW



MODELS	MHN33PD	MHN33PN
PAYMENT CONFIGURATION	COIN DROP OR CARD READER READY	NON COIN PUSH TO START
CAPACITY		
Cylinder Volume — liters	88	88
Cylinder Diameter — mm	547	547
Cylinder Depth — mm	341	341
DIMENSIONS		
Depth — mm	732	732
Width — mm	686	686
Height — mm	1,134*	961
Door Opening — mm	362	362
CRATED DIMENSIONS		
Crated Width — mm	737	737
Crated Depth — mm	851	851
Crated Height — mm	1,232	1,029
APPROXIMATE WEIGHT		
Uncrated — kg	111	107
Crated — kg	115	111
ELECTRICAL REQUIREMENTS		
Voltage	220-240V - 50Hz	220-240V - 50Hz
Frequency	50Hz	50Hz
Breaker/Fuse — Amps	10	10
WATER INLET HOSE/DRAIN HOSE		
Operating Pressure — psi (bar)	20–100 (1-8)	20–100 (1-8)
Inlet Hose Length — m	1.22	1.22
Drain Hose Length — m	1.83	1.83
APPROXIMATE WATER USAGE		
Average Total Water Usage Per Cycle — liters	40.50**	40.50**
Extract Speed — Max G-Force/Max RPM	300/1,000	300/1,000
Motor Size — hp (kW)	.09 (.07)	.09 (.07)



*Includes height of metercase.

**Based on 2018 United States DOE J2 Testing with factory preset cycles.

Dimensions are for planning purposes only. See specific instructions for proper installation. Because of continuous product improvement, Maytag reserves the right to change specifications without notice.



Maytag Commercial Install Summary



MAT20 Top Load Washer

- Standard 10AMP GPO within 1.0m to plug into
- ¾" hot and cold water taps within 1m
- Standpipe or laundry drain minimum 77cm high

Before operation:

- Installation manual to be read
- Unit to be levelled



MHN33 Front Load Washer

- Standard 10AMP GPO within 1.0m to plug into
- ¾" hot and cold water taps within 1m
- Standpipe or laundry drain minimum 77cm high – if supplied on plinth, laundry drain to be 102cm high

Before operation:

- Installation manual to be read
- Shipping bolts to be removed
- Power cord to be pulled through
- Unit to be levelled

MDE20 or MDE28 ELECTRIC Dryer.

- No power cord supplied - requires hardwiring into a dedicated 1 phase 25AMP circuit by your electrician.
- Requires fluing to external air using single skin 100mm rigid galv²

*Natural gas as standard - LPG Conversion Kits available.

Before operation:

- Installation manual to be read
- Unit to be levelled

MDG20 or MDG28 GAS Dryer.

- Standard 10AMP GPO within 1.0m to plug into
- Licensed gas plumber required to connect to gas and fluing on site
- Requires fluing to external air using single skin 100mm rigid galv²

*Natural gas as standard - LPG Conversion Kits available.

Before operation:

- Installation manual to be read
- Unit to be levelled

Install summary is a brief guide only and does not cover all requirements.

Full installation manual is supplied with each machine as hard copy and is also available via email on request.

1 – Clearances are minimum for dryer free air requirements. Additional clearances may be required depending on fluing and supply requirements on site.

2 - All dryers must be flued to external air with rigid galvanised ducting. Dryers in outdoor areas require fluing to direct heat and lint away from unit. Multiple /group dryer ducting requirements as per installation manual.

Ducting available from Dependable Laundry Solutions.



Maytag Commercial Install Summary

MLE22PN/PD ELECTRIC Stack Washer/Dryer

- No power cord supplied - requires hardwiring into a dedicated 1 phase 25AMP circuit by your electrician.
- ¾" hot and cold water taps within 1m
- Standpipe or laundry drain minimal 77cm high
- Minimum 110mm clearance behind unit¹
- Requires fluing to external air using single skin 100mm rigid galv²

Before operation:

- Installation manual to be read
- Shipping bolts to be removed
- Unit to be levelled
- Service key is bubble wrapped in machine drum – needs to be stored & kept



MLG22PN/PD GAS Stack Washer/Dryer

- Standard 10AMP GPO within 1.0m to plug into
- ¾" hot and cold water taps within 1m
- Standpipe or laundry drain minimal 77cm high
- Minimum 110mm clearance behind unit¹
- Requires fluing to external air using single skin 100mm rigid galv²
- Licensed gas plumber to connect to gas and fluing

*Natural gas as standard - LPG Conversion Kits available.

Before operation:

- Installation manual to be read
- Shipping bolts to be removed
- Power cord to be pulled through
- Unit to be levelled
- Service key is bubble wrapped in machine drum – needs to be stored & kept.

MLE27PN/PD ELECTRIC Stack Dryer/Dryer

- No power cord supplied - requires hardwiring into a dedicated 1 phase 50AMP circuit by your electrician.
- Minimum 110mm clearance behind unit¹
- Requires 2 x fluing to external air using single skin 100mm rigid galv²

Before operation:

- Installation manual to be read
- Unit to be levelled
- Service key is bubble wrapped in machine drum – needs to be stored & kept

MLG27PN/PD GAS Stack Dryer/Dryer

- Standard 10AMP GPO within 1.0m to plug into
- Minimum 110mm clearance behind unit¹
- Requires 2 x fluing to external air using single skin 100mm rigid galv²
- Licensed gas plumber to connect to gas and fluing

*Natural gas as standard - LPG Conversion Kits available.

Before operation:

- Installation manual to be read
- Unit to be levelled
- Service key is bubble wrapped in machine drum – needs to be stored & kept

