



CD40522 WITH CIM0325

Features

- Only 22" (559 mm) wide.
- Storage 55 kg.
- *Turbo Dispense* dispenses 113g of ice per second.
- *Power Clean* allows access to the bin for easy cleaning without moving the ice machine. Interlock safety switch turns off machine agitation when top-front access panel is removed.
- 102 mm foam insulation for maximum ice preservation – no more quick melting ice.
- Constructed from corrosion-resistant stainless steel and fingerprint-proof plastic.
- Great for hard water, food safety and tight spaces.
- User friendly push-to-dispense operation.
- Warranty: 3 years parts & labour

CD40522 CUBE ICE DISPENSER

Ice Form

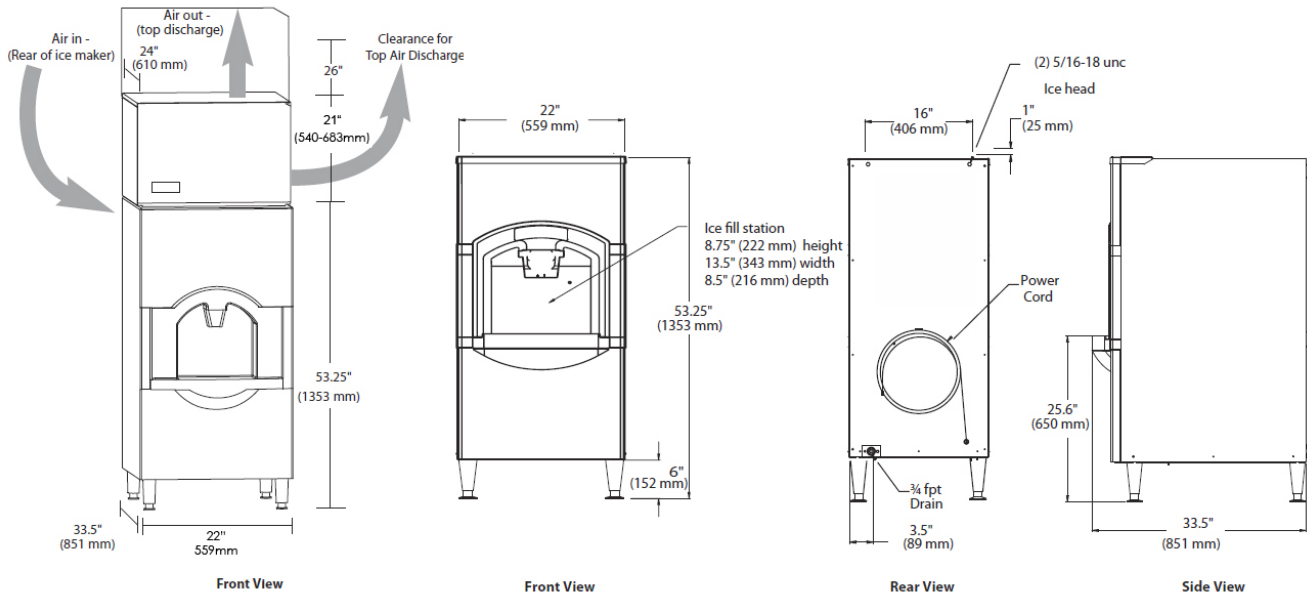
CUBE



Full Cube Dimensions	
W x D x H (mm)	22 x 22 x 22
Half Cube Dimensions	
W x D x H (mm)	10 x 22 x 22

ICE PRODUCTION FOR OPTIONAL CUBE ICE MAKERS—KG PER 24 HOURS*				
Model Number	CIM0325	CIM0525	CIM0825	CIM1125
Air	132	240	418	425
Voltage	220-240/50/1	220-240/50/1	220-240/50/1	220-240/50/1

*Tested at 21°C Air/10°C Water.
All specifications and performance data are subject to normal manufacturing variances.
Daily ice production based on half cube configuration.



Operating Requirements

	MINIMUM	MAXIMUM
		50Hz
Ambient Temp. Range Air	10 °C	43 °C
Water Temp.	4.4 °C	32 °C
Water Pressure	1.4 BAR	4.1 BAR

Dimensions (dispenser only)

ALL MODELS	
W x D x H (mm)	559 x 851 x 1,353

Specifications

Model Number	Dispenser Operation	ARI Bin Storage lbs (kg)	Voltage Characteristics	Min. Circuit Ampacity	Max Fuse Size
CD40522	Push	55	230/50/1	2.1	15

Note #1: Model CD40522 dispensers accept all 22" CIM Series™ Cube Ice Makers.
 Note #2: CD40522 Series units do not require an Adaptor and Bin Level Kit.

NOTES:
 Number of Wires: 3 (including ground)
 Approx. Shipping Weight lbs (kg): 105
 Refrigerant Type: R404A
 *Cordset included