



HE2020
HOSPITALITY EQUIPMENT 2020 PTY LTD

SPEED OVEN

LNAT-P17



**Reduce cooking time
without compromising
*quality.***



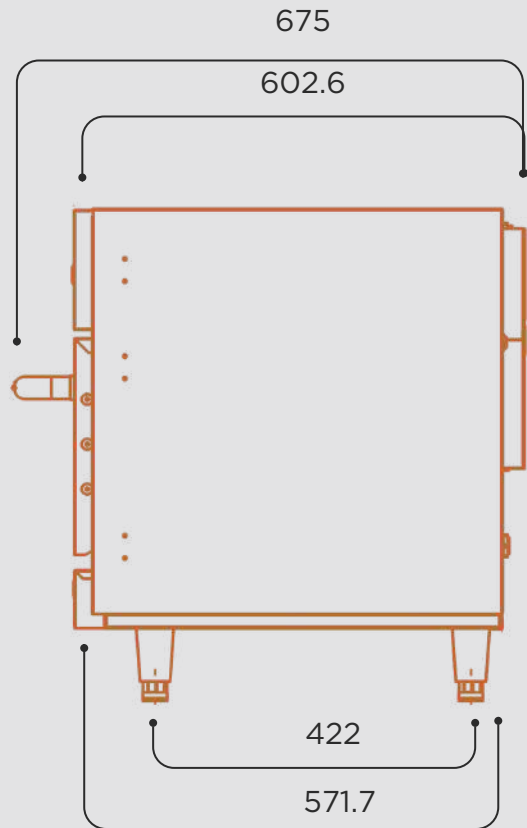
SPECIFICATIONS

Dimensions (mm)	460x675x660
Chamber (mm)	305x305x185
Capacity (L)	17
Net Weight (KG)	66
Gross Weight (KG)	84
Voltage (V)	208-240V
Frequency	50Hz
Rater Power (kW/Amp)	3.5kW / 15A
Controller	5" Touch Screen
Colour Available	Black/SSL finish
Menu Storage	1024

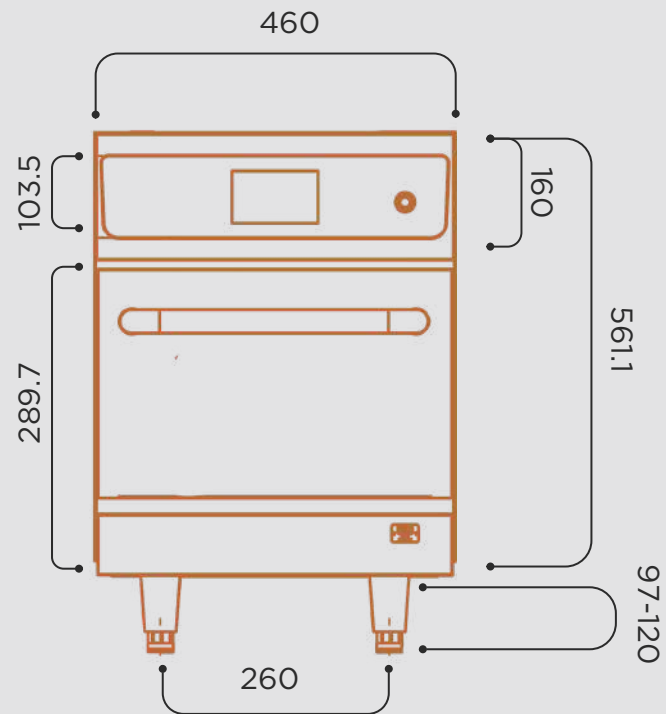
Cooking Stage	15
Cooking Mode	Hot air impingement + Microwave + Convection
Microwave power (KW)	1.2
Hot air power (KW)	3
Microwave output range	0-100% in 10% Increment
Wind grades	10
IPX Rating	IPX3
Max Temperature	280
Catalytic Converters	YES
USB Port	YES

MEASUREMENTS

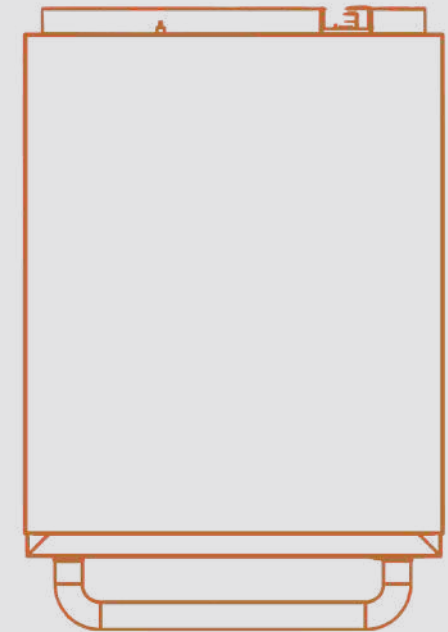
SIDE VIEW



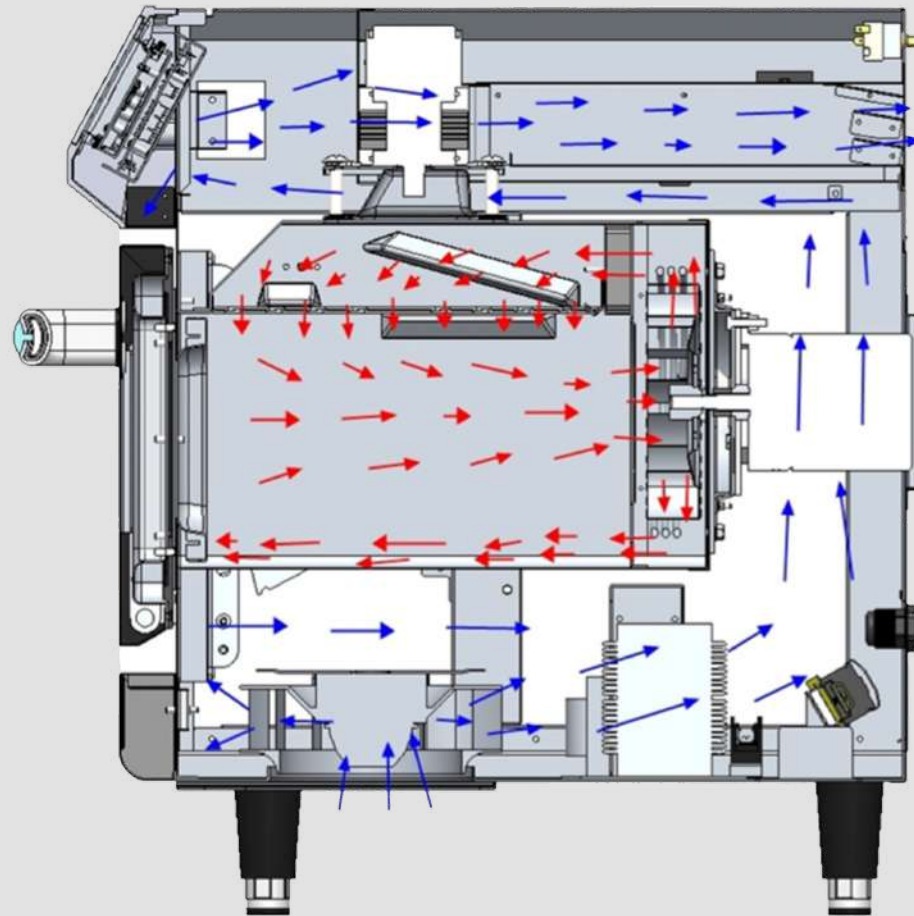
FRONT VIEW



TOP VIEW



FLOW



FEATURES





CONTACT US

02-9637 3737

salesnsw@he2020.com.au

lavarange.com.au



HE2020

HOSPITALITY EQUIPMENT 2020 PTY LTD



CHECK OUT OUR OTHER BRANDS

