

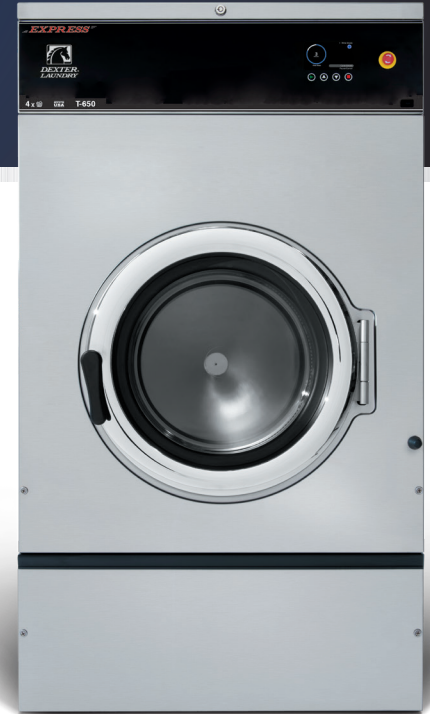


DEXTER
LAUNDRY

ON-PREMISE LAUNDRY
T-650 EXPRESS O-SERIES WASHER

T-650 EXPRESS O-SERIES WASHER

DEXTER ON-PREMISE WASHER WITH TOTAL CONTROL.



On-premise laundry solutions you can depend on.

Our easy to use O-Series controls give you the precision and features you need to ensure your laundry is done properly. They offer 100 fully customizable cycles as well as management tools designed to limit downtime and keep your laundry running efficiently.

When your business depends on clean laundry, choosing the right equipment is an important decision. Our products will provide you with the right management tools and the efficiency, flexibility, performance, and durability you need to be confident in your choice. With lifetime technical support and an industry leading 10-year limited warranty, you can be confident that we will stand behind every machine you invest in.

Contact your Dexter Authorized Distributor today for more details.

TOTAL CONTROL



Dexter O-Series washers give you Total Control over your laundry:

With a large display, streamlined interface, and multi-lingual capabilities, O-Series Controls are easy to use.

They offer ultimate cycle flexibility and easy programming with DexterLive.

Precise settings for 100 cycles with 20 stages each allow for even the most customized washes and delicate loads, including wet cleaning.

The fully programmable 10-point chemical injection system allows for the right combination of chemicals at just the right time in the bath.

O-Series washers offer a delayed start which saves on labor time by having a load ready when the staff arrives.

The management tools allow you to monitor efficiency giving you more time to focus on your business.

QUALITY YOU CAN TRUST



DURABLE:

With heavy-duty bearings in a cast iron bearing housing, a welded steel spider and shaft, and a rugged frame design that has been proven over two decades, Dexter washers are built to last.

Every model is designed to withstand our extreme 1,000 hour out-of-balance test.

The polished chrome doors and AISI 304 stainless steel tub, cylinder, top, front, and side panels keep washers looking great year after year.

RELIABLE:

Our industry leading 10-year warranty covers the frame, tub, cylinder, shaft, seals, bearings, and bearing housing.

A 3-year parts warranty covers the rest.

We stand behind every machine you invest in with lifetime technical support.

OPTIONS YOU NEED



EFFICIENT:

Powerful Express 200 g-force extraction removes more water to reduce dry time and help save energy.

Our electronic pressure sensor offers a range of water level options to increase efficiency and help save on water.

This model offers temperature recording to ensure the cleanliness of each cycle.

FLEXIBLE:

O-Series controls give you the precision and features you need to get your laundry done right.

Adjustable final extract speeds and other customizable options allow Dexter washers to fit almost any installation.

OPTIONS:

Electric and steam heat options are available on this model.

T-650 EXPRESS WASHER SPECIFICATIONS

ON-PREMISE LAUNDRY

Capacity:

Dry Weight Capacity - lb (kg)	40	(18.1)
Cylinder Volume - cu ft (L)	6	(170)

Speed:

High Extract Speed - g (RPM)	200	(750)
Intermediate Extract Speed - g (RPM)	60	(411)
Washing Speed - g (RPM)	0.9	(50)
Motor Size - hp (kW)	2	(1.5)

Dimensions:

Cabinet Height - in (cm)	53	(134.6)
Cabinet Width - in (cm)	29 7/8	(75.9)
Cabinet Depth - in (cm)	38 1/8	(96.8)
Door Opening - in (cm)	15 1/4	(38.7)
Floor to Door Bottom - in (cm)	16 1/4	(41.3)
Cylinder Diameter - in (cm)	25	(63.5)
Cylinder Depth - in (cm)	21 1/8	(53.7)

Weight:

Net Weight - lb (kg)	744	(337.5)
----------------------	-----	---------

Shipping Information:

Shipping Weight - lb (kg)	766	(347.5)
Shipping Height - in (cm)	58 3/4	(149.2)
Shipping Width - in (cm)	31 1/2	(80)
Shipping Depth - in (cm)	43 3/4	(111.1)

Water Requirements:

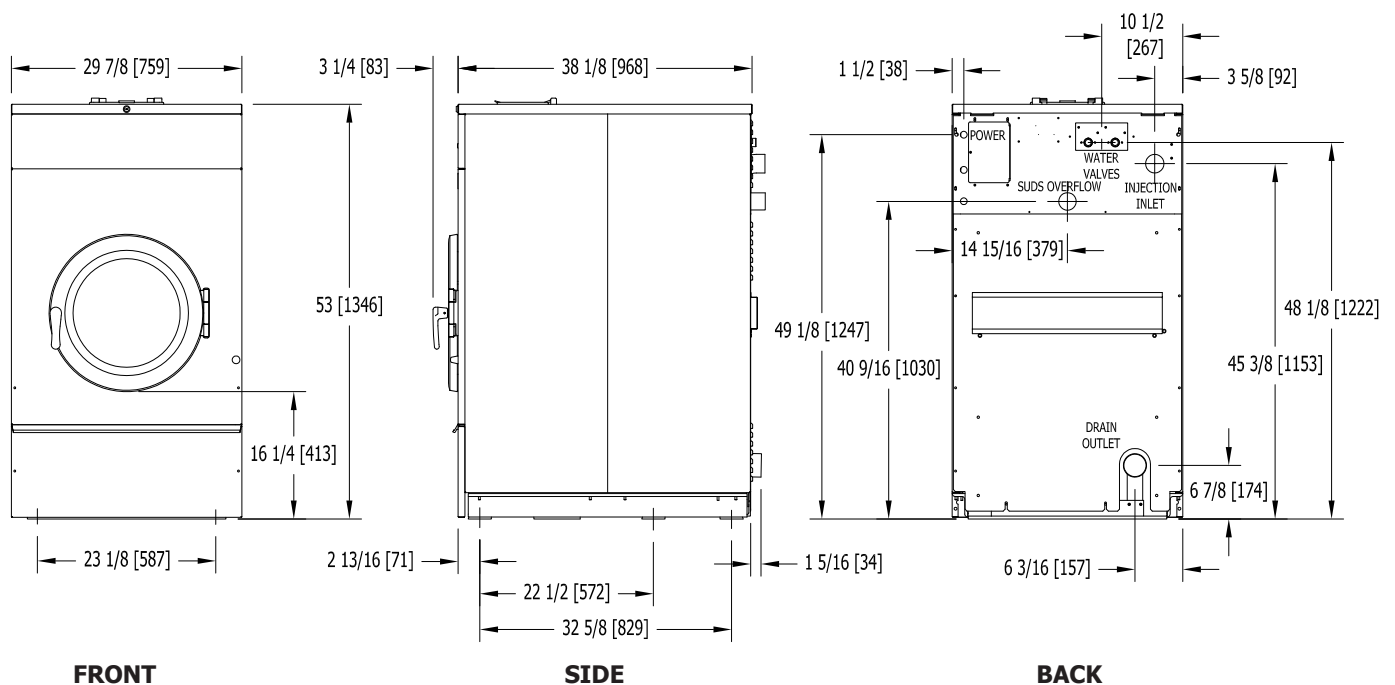
Water Inlet Size - in (mm)	3/4	(19)
Pressure (min/max) - psi (kPa)	30-120	(207-827)
Flow Rate Per Valve - gal/min (L/min)	9	(34)
Drain Diameter (O.D.) - in (cm)	3	(7.6)
Floor to Center of Drain - in (cm)	6 7/8	(17.5)

Electrical Requirements:

Model	Volts / Hz / Phase / Wiring	Circuit Breaker Amps/ Running Amps / Wire Size
-12	208-240 / 60 / 1 / 2 wire + ground	15 / 6.2 / #12
-12	208-240 / 60 / 3 / 3 wire + ground	15 / 6.2 / #12
-13	208-240 / 60 / 3 / 3 wire + ground	40 / 40 / #8
-39	230 / 50 / 1 / 2 wire + ground	15 / 6.2 / 3.5 mm ²
-68	400 / 50 / 3 / 4 wire + ground	30 / 30 / 8.4 mm ²

Installation Recommendations:

Minimum Clearance Between Machines - in (cm)	1/2	(1.3)
Minimum Clearance Behind Machines - in (cm)	24	(61)
Minimum Concrete Thickness - in (cm)	8	(20.3)



Due to continuous product improvements specifications are subject to change, please consult the installation manual for the most accurate information.
 *Agency approvals may vary depending on the machine configuration, consult Dexter Laundry or your Dexter Authorized Distributor for details.