



SSC120 & SSC150 CUBE ICE MAKERS



SSC120 & SSC150

- 13g cube ice ideal for use by restaurants, hotels, licensed bars, juice bars, take away outlets and health care facilities
- 18/8 grade stainless steel cabinets with integrated food grade polyethylene storage bin



SSC120 & SSC150 CUBE ICE MAKERS

Specifications

Power

Voltage – 240-50Hz

Amps – SSC120 4.8 – SSC150 6.4

Refrigerant

R404a

Shipping Dimensions

SSC120 88x79x125cm (133kg)

SSC150 88x79x125cm (138kg)

Water Supply Requirements

3/4" BSP male stop cock



Drainage

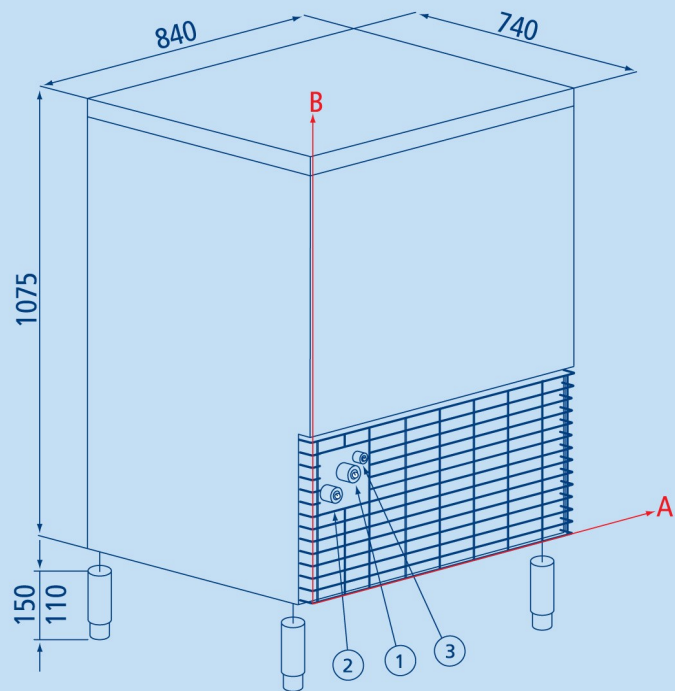
Floor waste within 1 metre of machine

Note! Must be below machine outlet

Ice Making Capacity (kg/24hours)

	Production	Storage
SSC120	130	65
SSC150	155	65

	Water In (1)		Drainage (2)		Power In (3)	
	A	B	A	B	A	B
SSC120	141	290	79	245	186	326
SSC150	141	290	79	245	186	326



SSC120 & SSC150

Continuing product improvement may necessitate changes of specifications without notice.

Distributed By

**For more information or the name
of your local sales agent call:**

Stuart Manufacturing

1 Jayelem Crescent Padstow NSW 2211

Sales 1300 301 380 • **General Enquiries** 02 9773 3711

Facsimile 02 9773 4400 • **Email** ice@stuman.com.au

Website www.stuman.com.au