

DETEX SERIES

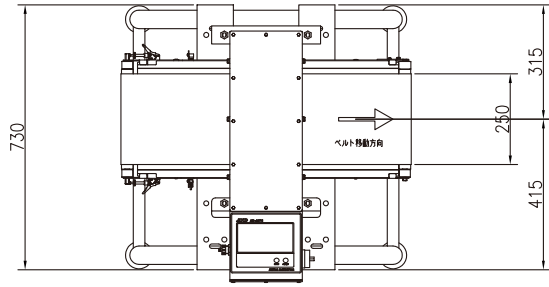
METAL DETECTOR AD-4976



- Multiple frequencies. Oxygen Absorber application is available as an option.
- Industrial design. IP66. Rugged full stainless enclosure structure with angled surface.
- Sensor head, conveyor, and frame unit are separately available.
- Sensor head is available in 90 degrees rotated position for tall products.

INSPECTION SIMPLIFIED

AD-4976 Series Specifications

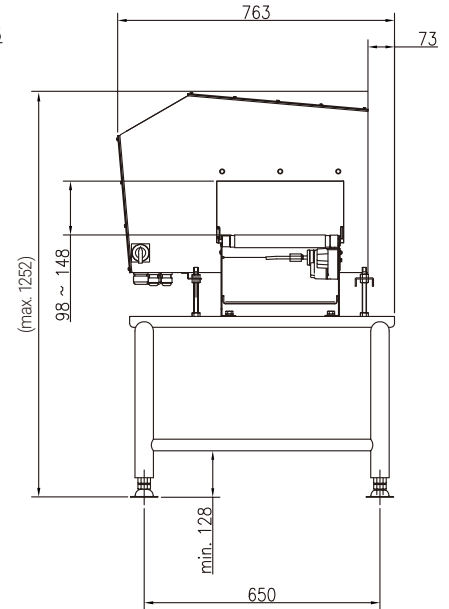
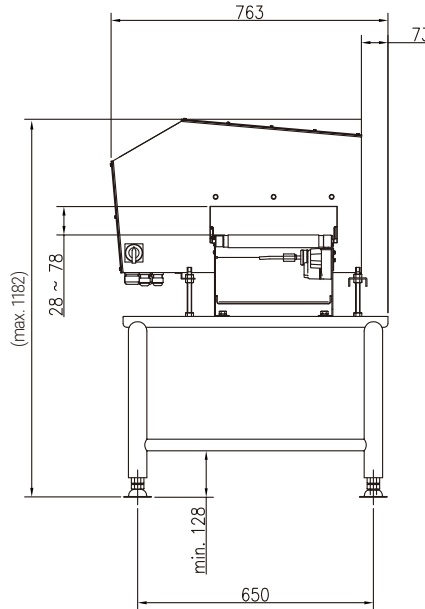
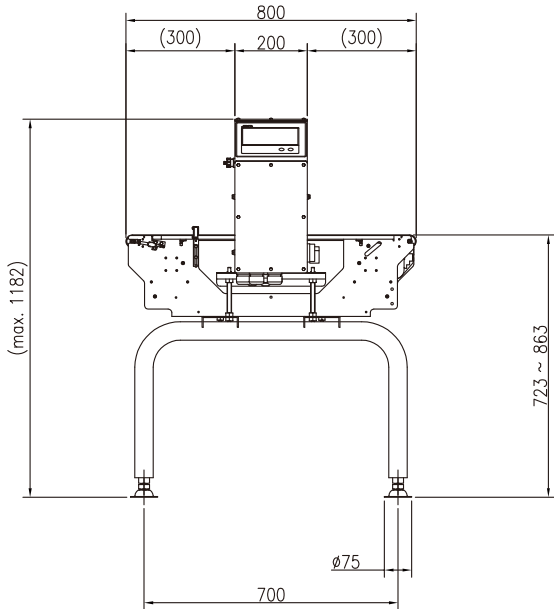


AD-4976-3510

Aperture size:
350mm(W) x 100mm (H)
(Pass height 80mm)

AD-4976-3517

Aperture size:
350mm(W) x 170mm (H)
(Pass height 150mm)



Model	AD-4976-3510	AD-4976-3517
Aperture size	350(W)x100(H)mm	350(W)x170(H)mm
Pass height	Maximum 80mm	Maximum 150mm
Conveyor speed	10 to 50m/min	
Carrying capacity	5kg(~30m/min) 3kg(30~50m/min)	
Number of recorded item	1000 items including product data and image	
Communication interface	Ethernet LAN : Modbus TCP / TCP / IP(PostScript printer) RS-485 / 232C : Modbus RTU / Serial communication USB : USB memory (for history storage, image import use)	
Dust / water resistance specifications	IP66	
Material	SUS304	
Diameter of conveyor rollers	30mm	
External input	Non - voltage contact input 4 points	
External output	6 (2 for the maximum 240V, and the 4 for the maximum 60V)	



Discover Precision

A&D Company, Ltd.

3-23-14 Higashi-Ikebukuro, Toshima-Ku, Tokyo, 170-0013, Japan Tel: +81 3-5391-6132 Fax: +81 3-5391-1566 <http://www.aandd.jp>

A&D Engineering, Inc.

1756 Automation Parkway, San Jose, CA 95131, U.S.A. Tel: +1 408-263-5333 Fax: +1 408-263-0119

A&D Australasia Pty Ltd.

32 Dew Street, Thebarton, South Australia 5031, Australia Tel: +61 8-8301-8100 Fax: +61 8-8352-7409

A&D Instruments Ltd.

Unit 24/26 Blacklands Way, Abingdon Business Park, Abingdon, Oxfordshire, OX14 1DY, United Kingdom Tel: +44 1235-550420 Fax: +44 1235-550485

<German Sales Office>

Hamburger Straße 30, D-22926, Ahrensburg, Germany Tel: +49 4102-459230 Fax: +49 4102-459231

A&D Korea Ltd.

8F Manhattan Bldg., 33, Gukjegeumyung-ro 6-gil, Yeongdeungpo-gu, Seoul, 07331, Korea Tel: +82 2-780-4101 Fax: +82 2-782-4280

A&D Rus Co., Ltd.

Vereyskaya Str. 17, 121357, Moscow, Russia Tel: +7 495-937-33-44 Fax: +7 495-937-55-66

A&D Instruments India (P) Ltd.

509 Udyog Vihar Phase V Gurgaon-122 016, Haryana, India Tel: +91 (124) 471-5555 Fax: +91 (124) 471-5599