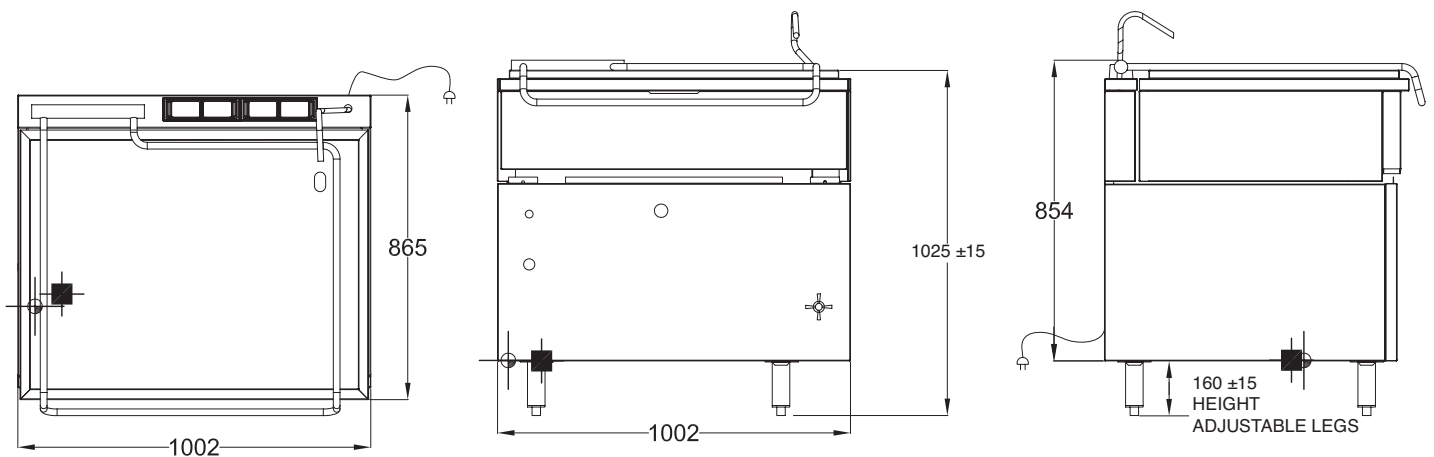




# 800 SERIES BRATT PAN

## TPGI50 - Gas

- Capacity of 125 litre Stainless Steel Pan
- 10mm thick Duplex seamless Stainless Steel base provides improved heat retention, even heat and ease of cleaning
- Electric tilt as standard
- Ergonomically designed counter balanced lid with heavy duty hinge
- Heavy duty fully welded Stainless Steel frame ensures rigidity and durability



### TPGI50

#### SPECIFICATION

<b>Dimensions (WxDxH)</b>	1002 x 865 x 1035 mm
<b>Working height</b>	940 mm
<b>Pan Size (WxDxH)</b>	895 x 670 x 305 mm
<b>Capacity</b>	125 L

<b>Gas Connection</b>	3/4" BSP
<b>Rating</b>	100 MJ
<b>Weight</b>	185 kg
<b>Packed</b>	0.9 m <sup>3</sup>

Australia's premier food service  
equipment manufacturer

[goldstein.com.au](http://goldstein.com.au)

211-217 Woodpark Road, Smithfield NSW 2164  
1800 013 123 | +61 2 9604 7333

 **MIDDLEBY AUSTRALIA**

