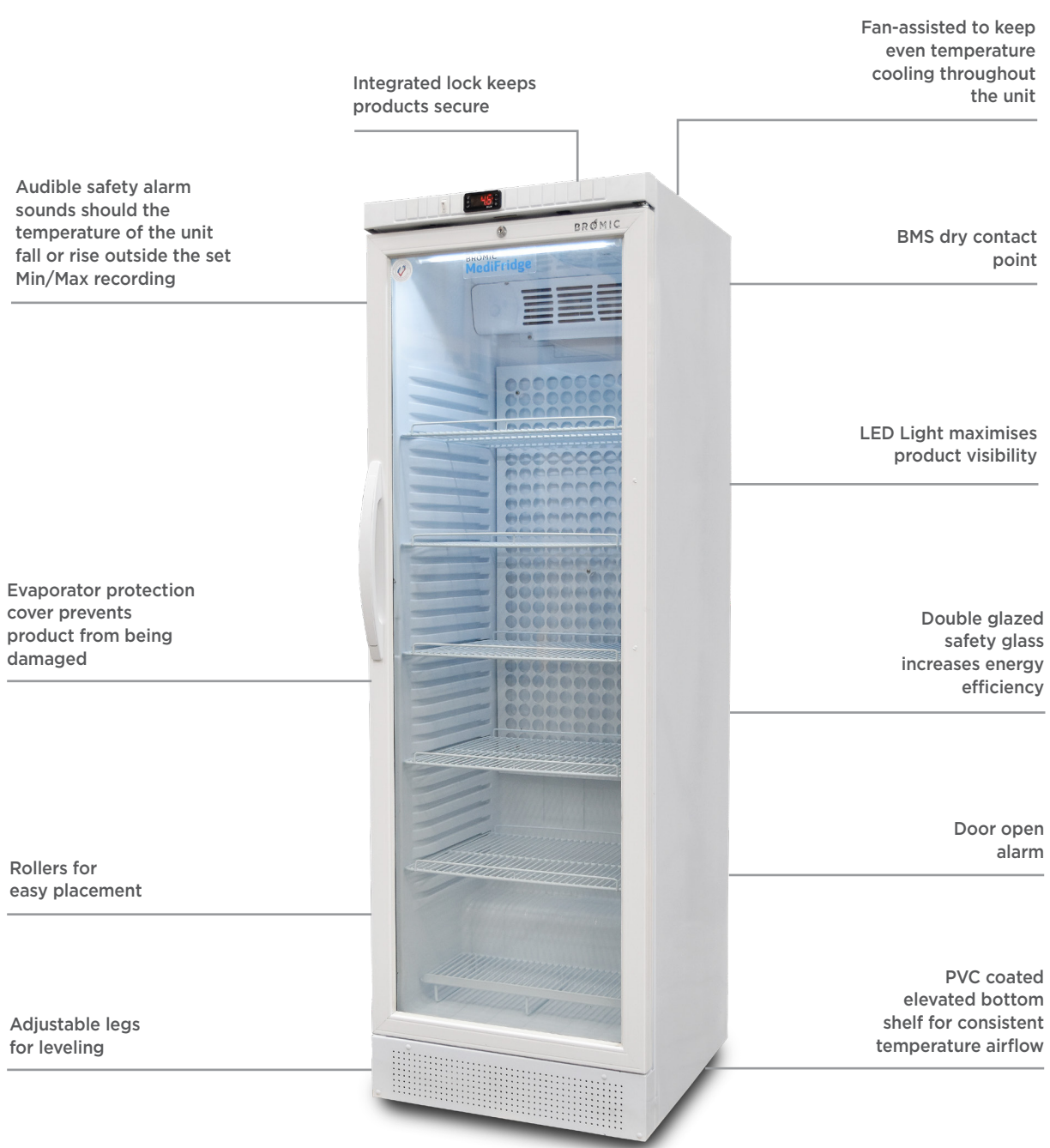


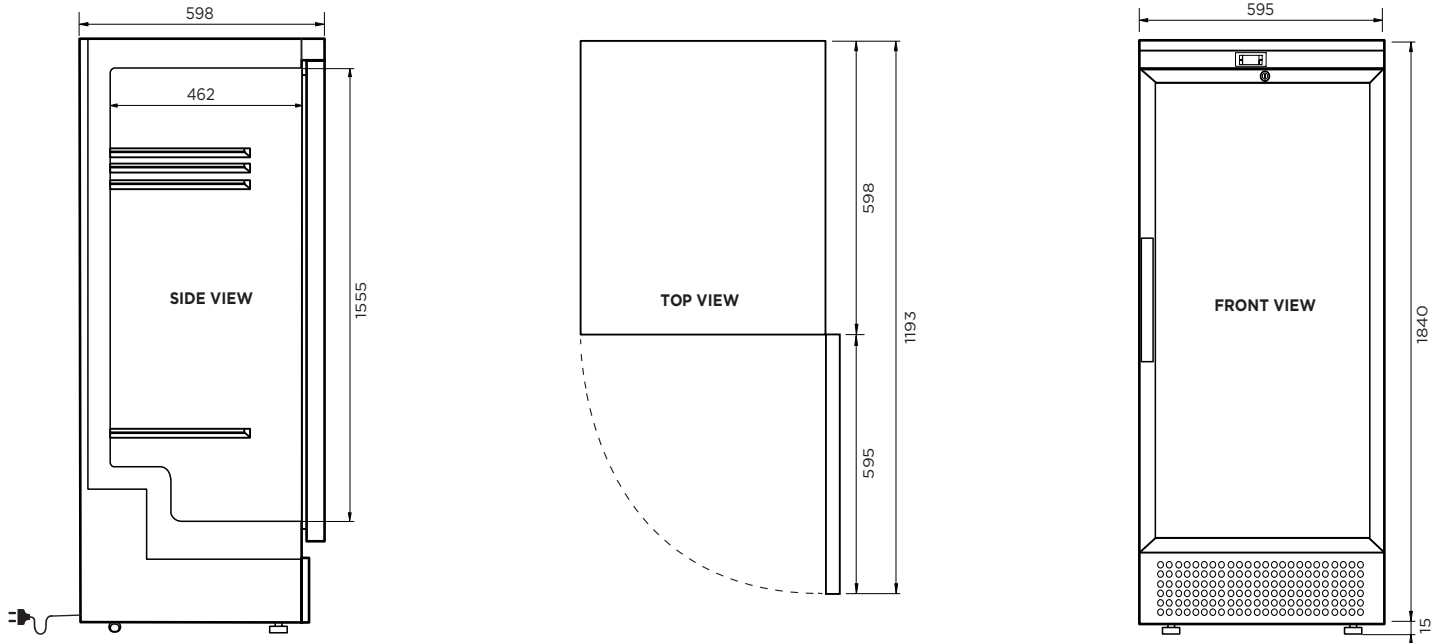
MediFridge 372L Upright Vaccine Display Fridge

| Medical Refrigeration



MediFridge 372L Upright Vaccine Display Fridge

Medical Refrigeration



SPECIFICATIONS

Part Number	3736218-NR
Capacity	372L
Weight	81Kg
Temperature Range	+2°C to 8°C
Climate Class	4
Min/Max Temp Recorder	Yes
Temp. Controller Display	Digital
Voltage	240V
Frequency	50Hz
Current	1.23A
Input Power	350W
Air-Circulation	Fan Forced
Refrigerant	R600a
Charge	70g
Plug Supplied	Yes, 1 x 3-pin AU plug 10A
Feet/ Wheels	2 rollers at rear, 2 feet at front
Temperature Alarm	Yes
Audible Alarm	Yes
Defrost	Off Cycle, Automatic

Internal Light	Yes, LED
Door Type	Low-E Glass + Argon Gas
Door Shape	Flat
Self-Closing Door	Yes
Door Lock	Yes
Door Switch	Yes
Door Swing Dimension	595mm
Total Depth of Door Open	1193mm
No. of Shelves Incl. Base	6
Style of Shelves	Open rung shelf
Shelves Dimensions	500(w) x 400(d) mm
Adjustable Shelves	Yes
Shelve Capacity	20Kg
Compliance	MEPS, Complies to QCPP Standards
Data Logger	Available, part no. 3507000051
Warranty	5 Years, Parts & Labour Bromic Extra Care

DIMENSIONS

External (mm)	
Width	595
Depth	598
Height	1840
Internal (mm)	
Width	505
Depth	462
Height	1555