

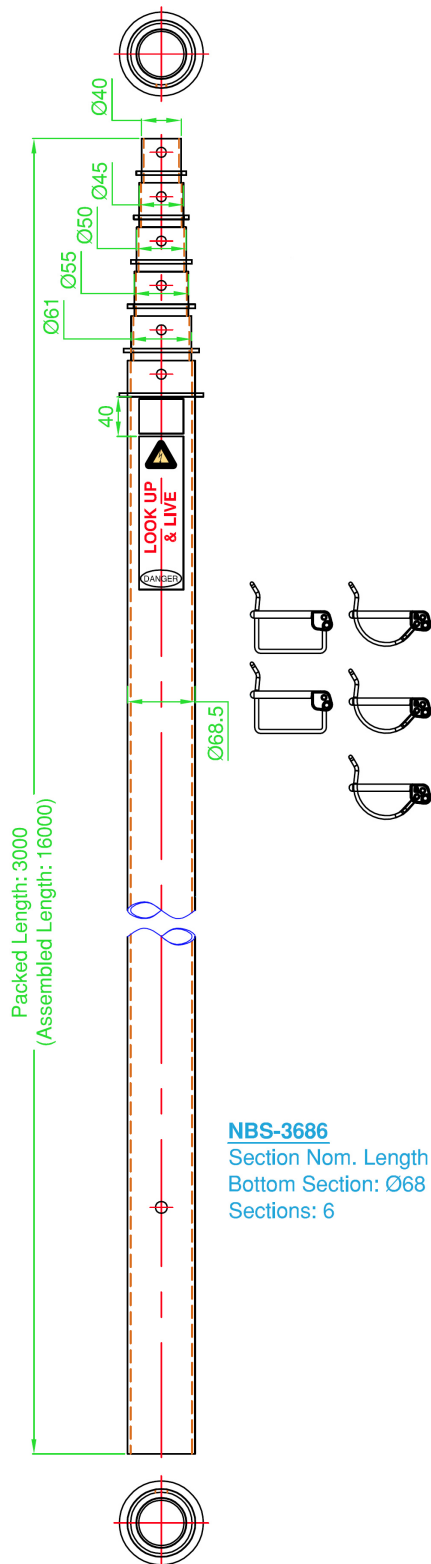
NBS-3686

6-section anodised aluminium telescopic mast

68mm O.D. base

3.0 metres - Packed

16.0 metres - Extended



NBS-3686
Section Nom. Length: 3 mtr
Bottom Section: Ø68
Sections: 6

Specifications

Construction	Clear anodised aluminium telescopic sections with section stop guides and 5 x passivated D-locking clip
Number of Sections	6
Retracted Height	3.0 metres / 9.84 ft
Extended Height	16.0 metres / 52.49 ft
Weight - excl. D-clips	16.0 kg / 35.27 lbs
Wind Load rating - Max.	160 kph / 99mph - with each section guy wire supported
Top section load rating	9.5 kg / 20.94 lbs
Max. surface area	0.2m ²
Base Section Dimension	O.D: 68mm / 2.67"
2nd Section Dimensions	O.D: 61mm / 2.40"
3rd Section Dimensions	O.D: 55mm / 2.16"
4th Section Dimensions	O.D: 50mm / 1.96"
5th Section Dimensions	O.D: 45mm / 1.77"
6th Section Dimensions	O.D: 40mm / 1.57"
Supplied Accessories	5 x gold passivated section D-clips

Required Accessories - order quantity separately to suit 3/4 configuration

Guy Wire - High strength nylon <i>Single units, order by quantity required either 3 or 4 at each section</i>	NBS-GR10 - 10 metre guy wire for 1-2 sections NBS-GR15 - 15 metre guy wire for 3-4 sections NBS-GR20 - 20 metre guy wire for 5th section NBS-GR25 - 25 metre guy wire for top section
Anodised Aluminium Guy Rings - free rotating <i>single unit required - per mast</i>	NBS-AGR69 - Suits 68mm O.D. base section NBS-AGR62 - Suits 61mm O.D. 2nd section NBS-AGR56 - Suits 55mm O.D. 3rd section NBS-AGR51 - Suits 50mm O.D. 4th section NBS-AGR46 - Suits 45mm O.D. 5th section NBS-AGR41 - Suits 40mm O.D. 6th section

Optional Accessories - order separately to suit configuration

Mount Bases	NBS-68WStand - drive-on/underwheel static stand NBS-68TWStand - drive-on/underwheel tilt stand NBS-68TBMount - tow-bar socket mount NBS-BS68 - static flat roof/ground stand
Antenna/Equipment mounts	A-2871-4 - 1.3m top accessory mount tube 50mm O.D., includes 'D' locking clip