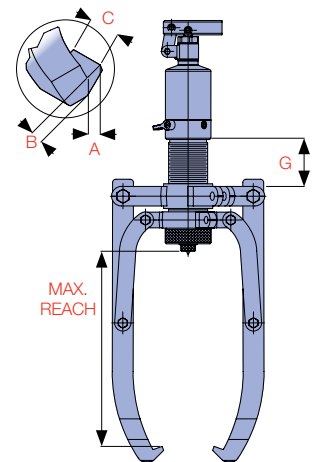
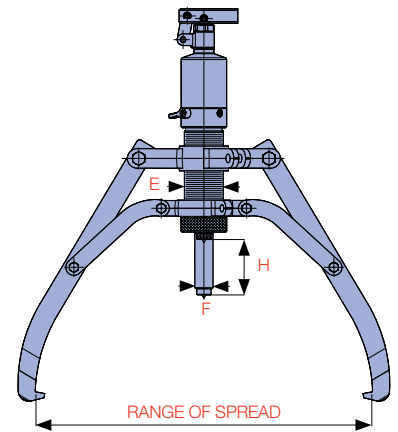
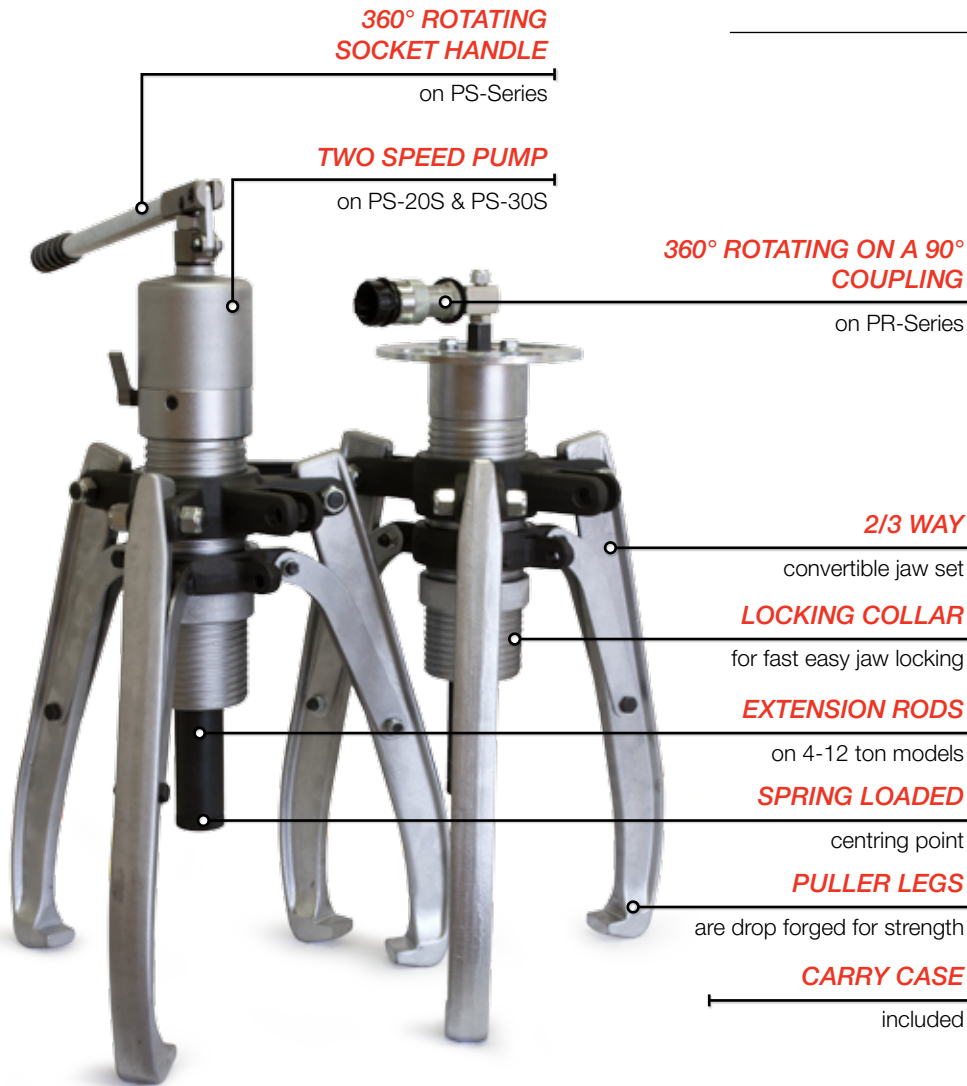


THE **PR & PS-SERIES** PULLERS ARE A CONVERTIBLE 2 OR 3 WAY UNIT FOR A ONE PERSON OPERATION.

Available in remote and self-contained versions from 4-30 ton capacity. The PS-Series 3 in 1 puller is a double acting unit designed for pushing, outer pulling and inner pulling.



Model No.	Puller Type	Capacity (ton)	Max. Reach (mm)	Range of Spread (mm)	Extension Rods	Jaw Tip (mm)			Hydraulic Cylinder (mm)			Stroke (mm)	Weight (kg)
					58 mm - Qty	A	B	C	E	F	G		
PS-04S	Self-contained	4	190	67.5 - 325	2	13	10	22	42	22	40	60	8
PR-04	Remote		190	67.5 - 325	2	13	10	22	42	22	40	60	6
PS-08S	Self-contained	8	280	107.0 - 450	3	13	13	27.5	50	25	70	85	12
PR-08	Remote		280	107.0 - 450	3	13	13	27.5	50	25	70	85	9
PS-12S	Self-contained	12	305	94.5 - 485	4	15	16.5	29	60	28	70	85	15
PR-12	Remote		305	94.5 - 485	4	15	16.5	29	60	28	70	85	12
PS-20S	Self-contained	20	365	128.4 - 570	-	20	27	33	80	40	62	111	26
PR-20	Remote		365	128.4 - 570	-	20	27	33	80	40	62	111	24
PS-30S	Self-contained	30	465	128.5 - 680	-	20	27	38	98	50	85	111	36
PR-30	Remote		465	128.5 - 680	-	20	27	38	98	50	85	111	34

SELF-CONTAINED HAND PUMP

rotates 360°

DOUBLE ACTING CYLINDER

allows for pushing/outer pulling and inner pulling

VARIABLE HEIGHT

extension legs

3 JAW STRUCTURE

provides even force

STEEL CARRY CASE

included

INTERNAL PULLER

allows removal of oil seals, bushings and bearings

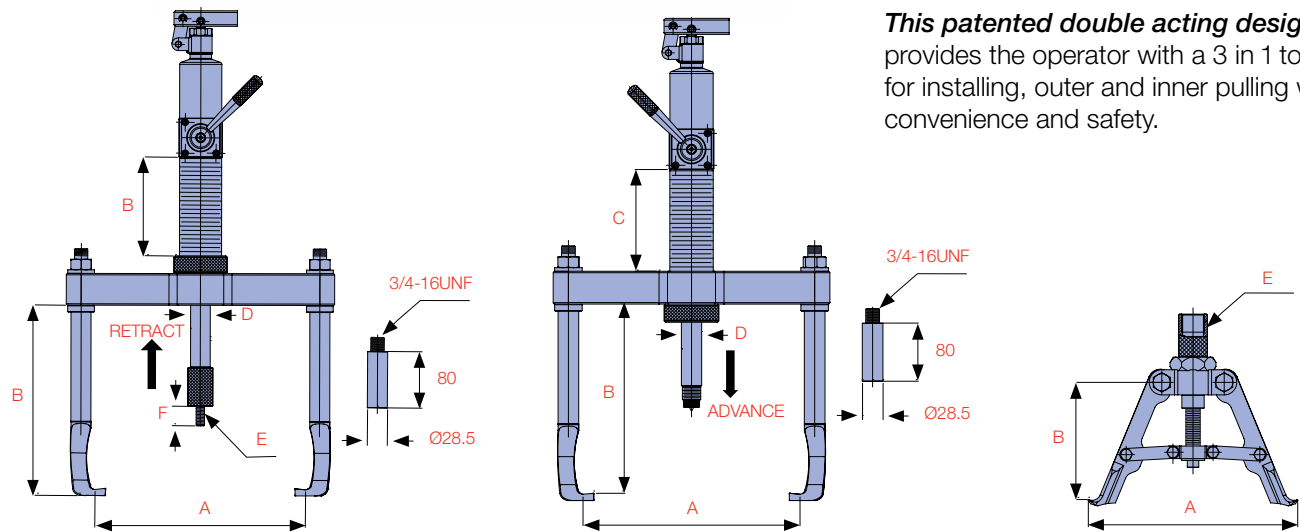


CAPACITY

4 - 30 ton

MAXIMUM OPERATING PRESSURE

700 bar



This patented double acting design provides the operator with a 3 in 1 tool for installing, outer and inner pulling with convenience and safety.



FOR OUTER PULLING



FOR OUTER/INNER INSTALLING



INNER PULLING ATTACHMENT

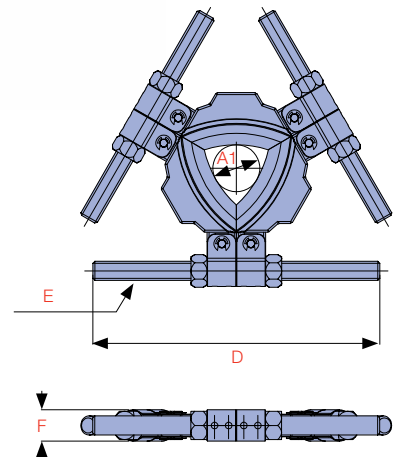
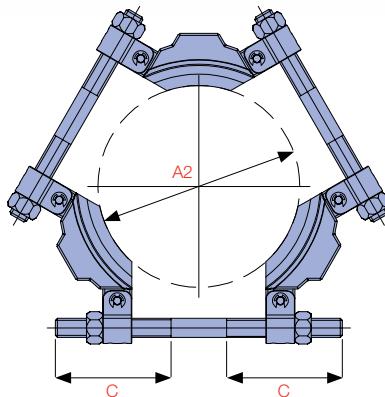
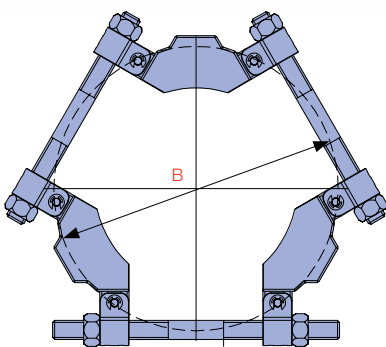
Model No.	Puller Type	Capacity (ton)	A (mm)	B (mm)	C (mm)	D (mm)	E	F (mm)	Weight (kg)
PS-1208D	Installing	8	44-280	270 + 80	140	28	M12 x 1.75	30	19.5
	Outer Pulling	12	85-300	260 + 80	140	28	-	-	
	Inner Pulling	8	110-210	130 - 150	-	-	1"-12UNF	-	

THE **ET-SERIES** TRI-SECTIONAL PLATES ARE SPECIALLY DESIGNED FOR USE WITH THE PR & PS-SERIES PULLERS.

The unique and patented swing design creates the maximum spread and provides the most even force. The plates grip behind the inner and outer rings of the bearing together which prevents the pulling force from being transmitted through the rolling parts, minimising the risk of bearing damage.



Swivel point allows wide spread



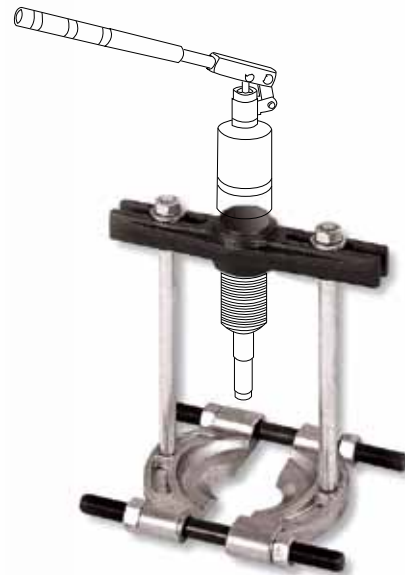
Model No.	Rated Capacity (ton)	Shaft Diameter		B Max. Spread (mm)	C (mm)	D (mm)	E	F (mm)	Weight (kg)
		A1 (Min.)	A2 (Max.)						
ET3-210	8	50	210	280	117	285	7/8"-14UNF	31	5.5
ET3-340	20	90	340	460	175	460	1 1/4"-12UNF	47	18
ET3-495	30	140	495	660	235	660	1 3/4"-12UNF	63	45

THE **BS-SERIES** CROSS BEARING ATTACHMENTS PROVIDE A KNIFE-LIKE EDGE TO GET BEHIND PARTS FOR ADDED VERSATILITY AND SECURE REMOVAL OF PARTS.

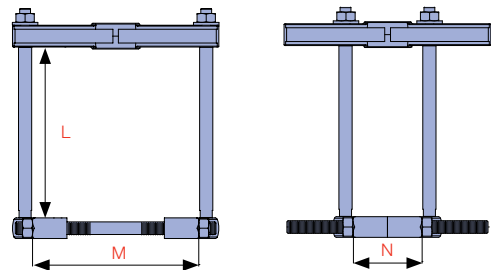
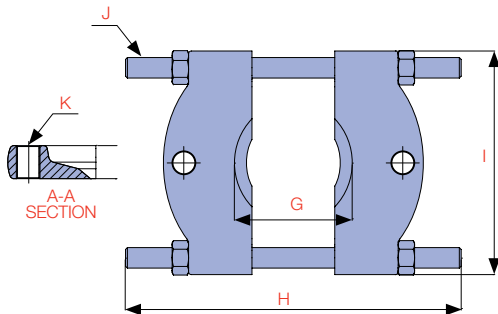
Great for parts that do not offer adequate grip with jaw type pullers. All bearing/pulley attachments include the bearing attachment, a pair of sized thread-in legs and a sliding cross head. Simply add the hydraulic cylinder from your PR/PS-Series puller set.



F
HYDRAULIC TOOLS



BEARING/PULLEY ATTACHMENT SET



Model No.	G (Min./Max.)	H (mm)	I (mm)	J	K	Weight (kg)
BS-5-60	5-60	125	70	3/8"-24UNF	3/8"-16UNC	0.6
BS-15-60	15-60	135	127	1/2"-20UNF	3/8"-16UNC	1.4
BS-12-70	12-70	163	156	5/8"-18UNF	1/2"-12UNC	2.5
BS-28-150	28-150	260	204	3/4"-16UNF	5/8"-11UNC	5.5
BS-20-200	20-200	350	288	1"-14UN	3/4"-10UNC	8.5

*Model No.	Capacity (ton)	Reach L (mm)	Spread		Weight (kg)	Inc. Bearing Attachment
			M (mm)	N (mm)		
BS-04250	4	250	110	55	6.5	BS-12-70
BS-08270	8	270	220	95	9.5	BS-28-150
BS-12380	12	380	290	225	13	BS-20-200

* Excludes cylinder pump