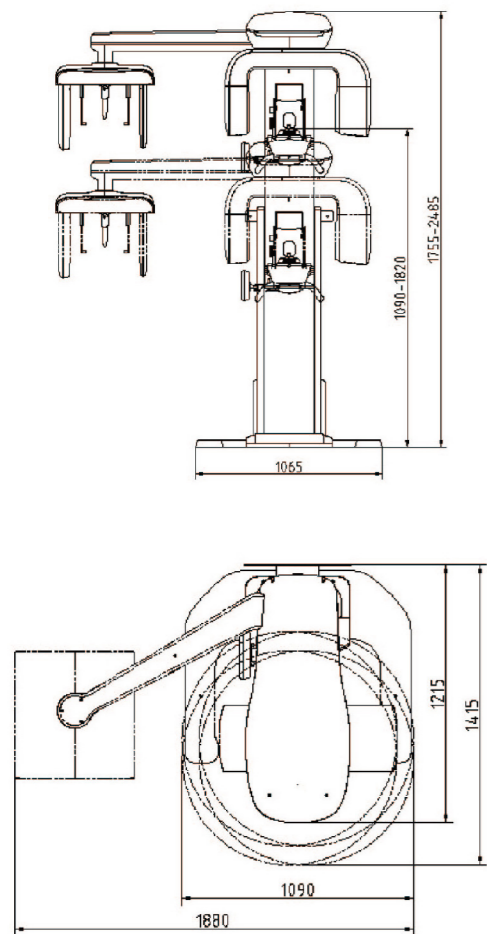


## TECHNICAL SPECIFICATIONS

Model	SS-X9010DPro-2DE	SS-X9010DPro-2D
Function	Pano & Ceph	Pano
Net Weight	260 KG	220 KG
Voltage	AC230V±10%	
Frequency	50Hz~60Hz±1Hz	
Focal Spot	0.5 x 0.5mm	
Total Filtration	2.7mmAL	
Tube Voltage	60~90kV	
Tube Current	2~10mA	
Power Supply	AC 220V 16A	
X-ray Exposure Time	Pano~17secs Ceph~12secs	



### Ajax Dental Supplies Pty Ltd.



**Address**  
Headquarter ADD: 22-23/21-43 Merrindale Dr, Croydon South VIC 3136 (Showroom / Service Centre)  
NSW Branch: Unit 18 25-33 Alfred Road, Chipping Norton NSW 2170 (Showroom / Service Centre)



**Mailbox**  
info@ajaxdent.com.au



**Website**  
www.ajaxdent.com.au



**TEL**  
03 9879 3801



## Meyer Dental 2D Panoramic Device Pro 2D





## ESSENTIAL FOR DENTISTS IN EVERYDAY PRACTICE

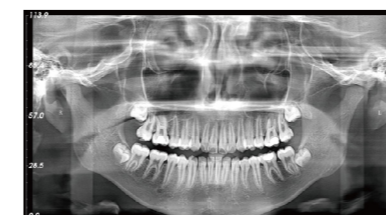
Meyer 2D panoramic device enables accurate diagnosis of diseases associated with the entire dentition. It provides dentists with high quality scan and high-resolution panoramic images.



## HIGHLIGHTS

- Pano and ceph dual-sensor to provide more choices for better diagnosis.
- Advanced processing algorithms ensure high image quality and accuracy.
- Instant image reconstruction after scanning through the new generation imaging technology.
- Operate on your fingertip with intuitive operational interface. The neatly designed digital touch pad accommodates all settings required for operation.
- 3-point patient positioning for stability and simplicity. The patient is held where necessary to minimize movement during scanning. It sufficiently supports image capturing process as well as keeping positioning simple and comfortable.

## FUNCTIONS



Pano

The HD panoramic image enables great performance in assisting clinical diagnosis of diseases related to the entire dentition, jaw and TMJs.



Ceph

It also allows ceph imaging to meet more clinical needs, including measurement of teeth, identification of maxillofacial fractures and orthodontic planning.

## POWERFUL DIAGNOSTIC SOFTWARE

Versatile and user-friendly diagnostic software  
The diagnostic software is independently developed by Meyer.  
The DICOM 3.0 output format aligns with international standards.

