

# Centurion Ambulant Pan



WELS REG#  
P Trap: L06723  
S Trap: L06722



Scan QR code  
to view our  
installation notes



## PCAM



N.B. All Britex disabled and ambulant toilet pans are supplied with our Vandal Resistant Closed Front Toilet Seat (black colour unless otherwise specified) to comply with AS1428 Disability Code.

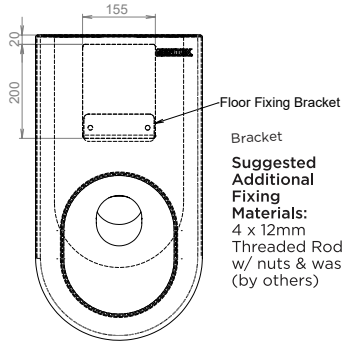
### Product Info:

- Conforms to requirements of AS1428:2009
- Integral pressed seat area
- Safety radius front edge
- Left and right hand access panels
- 4.5/3 & 6/3 litre flush compatible
- Available with added seat (see pg 60 for options)

### To order this item please advise:

- PCAMP = P Trap model
- PCAMS = S Trap model

NB: Seat is supplied to conform to Disability Code. Colour to be nominated. Please refer to pg 60 for seat details.

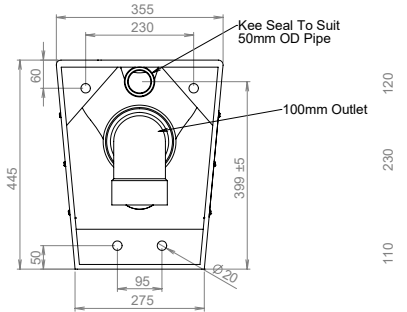
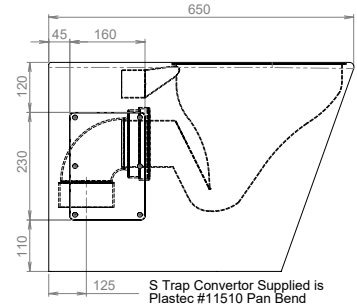


Bracket  
**Suggested Additional Fixing Materials:**  
4 x 12mm Threaded Rod w/ nuts & washers (by others)

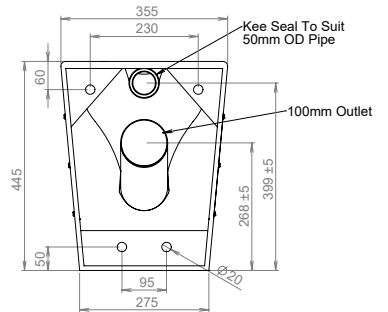
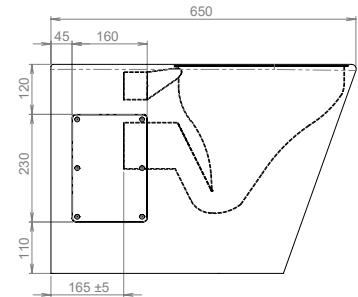
## INSTALLATION NOTES

Before installing, consult current installation setout requirements for AS1428.

- 1) Pan is anchored to floor with an offset bracket (supplied).
- 2) Pan is secured to rear wall via 4 fixing holes integral to pan body.
- 3) Suggested fixings required for fixing to wall are 4pcs of 12mm dia. threaded rods with nuts and washers (not supplied).
- 4) Concealed fixings can be accessed by removing panels on sides of toilet pan.
- 5) Access panel screws are hex head type only.
- 6) Pan is supplied standard with concealed rear inlet to suit in-wall flushing mechanisms.
- 7) Pan should be sealed around perimeter after installation completed.



## S TRAP



## P TRAP



Due to ongoing research and our commitment to product development, details are subject to change without notice. Details accurate at time of print

Please refer to [britex.com.au](http://britex.com.au) for the most current product information. Allow +/- 5mm tolerance for dimensions and setouts shown in product literature.