



ItalianGelato
Concepts

dessert projects & equipment supply

Ph: +61 (0) 7 3162 7724

info@italiangelato.com.au



ICE VISION

GIOIA



SOLUZIONI D'ARREDO PER FOOD & BEVERAGE

Il freddo e' il nostro habitat

GIOIA



ItalianGelato
Concepts
dessert projects & equipment supply

Ph: +61 (0) 7 3162 7724

www.italiangelato.com.au

G i o i a

Gelato Pastry Chocolate Dry heat Bain marie

Display case model offering a wide range of services: from ice-cream to pastries, candies to delicatessens. GIOIA design represents the young, dynamic character of Ital Proget.

One-piece shell with 60 mm-thick polyurethane insulation, AISI 304 stainless steel tank.

LED lighting.

Anti-condensation heated glass superstructure, vent-opening front glass, service side closure with wraparound curtain or sliding Plexiglass doors.

Ventilated refrigeration with double evaporators. Double hermetic compressor (in models 18 and 24) for optimal refrigeration performance with low noise level. Optional compressor 400/3.

Removable condensing unit for easier, faster maintenance.

Automatic ultra-fast reverse cycle defrost.

Electronic control panel for temperature adjustment.

Climate class 7 (35°/ 75% RH).



ItalianGelato
Concepts
 dessert projects & equipment supply

Ph: +61 (0) 7 3162 7724

www.italiangelato.com.au



TECHNICAL DATA



VENTILATED REFRIGERATION



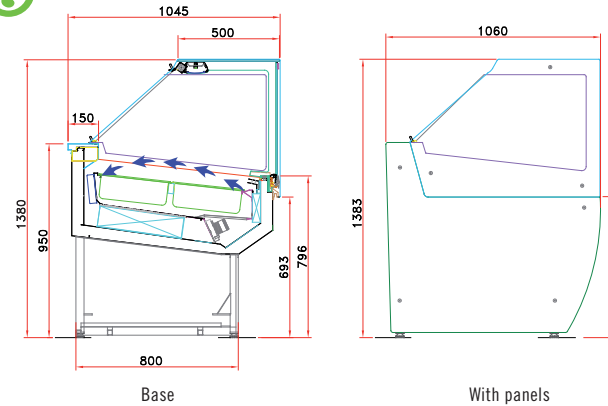
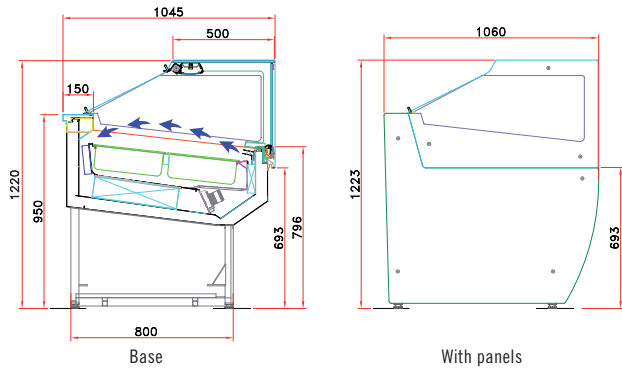
MOD.									 [°C]	COMPRESSEUR						No. Climate class [C°/%RH]
	L [cm]	D [cm]	H [cm]	P [kg]	L [cm]	D [cm]	H [cm]	P [kg]		Single-phase			Three-phase			
										Supply [V/Hz]	Output [Kw]	In Defrost [Kw]	Supply [V/Hz]	Output [Kw]	In Defrost [Kw]	
GIOIA GELATO 12	112	106	122 138	235 245	127	121	156 156	270 280	-16 / -18	230/1/50	1.51	2.15	400/3/50	1.3	2.52	7 (35/75)
GIOIA GELATO 18	162	106	122 138	325 335	178	121	156 156	357 367	-16 / -18	230/1/50	2.08	3.53	400/3/50	1.97	3.87	7 (35/75)
GIOIA GELATO 24	214	106	122 138	390 400	228	121	156 156	470 480	-16 / -18	230/1/50	2.5	3.8	400/3/50	2.8	5.1	7 (35/75)



ItalianGelato
Concepts
dessert projects & equipment supply

H122

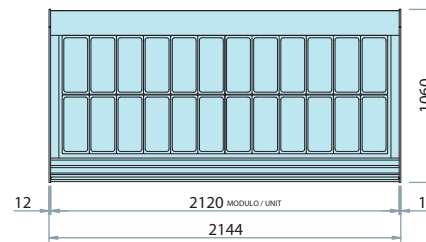
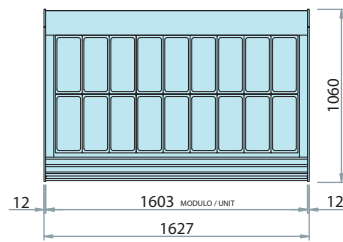
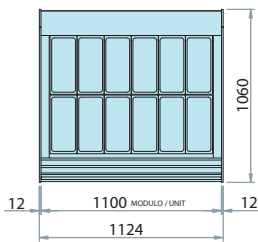
H138



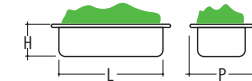
GIOIA GELATO 12

GIOIA GELATO 18

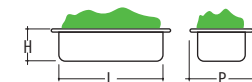
GIOIA GELATO 24



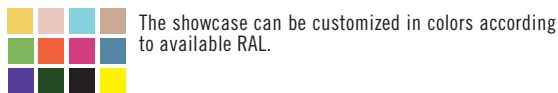
STANDARD L x D x H
360 x 165 x 120 [5Lt.]



LARGE L x D x H
360 x 250 x 80 [7Lt.]
360 x 250 x 120 [10Lt.]



COLOURS



STANDARD

Electronic control unit / R452A refrigerant gas



ItalianGelato
Concepts
dessert projects & equipment supply



Italian Gelato Concepts Pty Limited
Unit 1, 37 Mortimer Road
Acacia Ridge Qld 4110

Bris Office: +61 [0] 7 3162 7724
Syd Office +61 [0] 2 8311 9701
Email: info@italiangelato.com.au

www.italiangelato.com.au



SOLUZIONI D'ARREDO PER FOOD & BEVERAGE

AF DESIGN 0118 - ICEVISION